

HOW TO USE MICROFICHE PARTS CATALOGUE

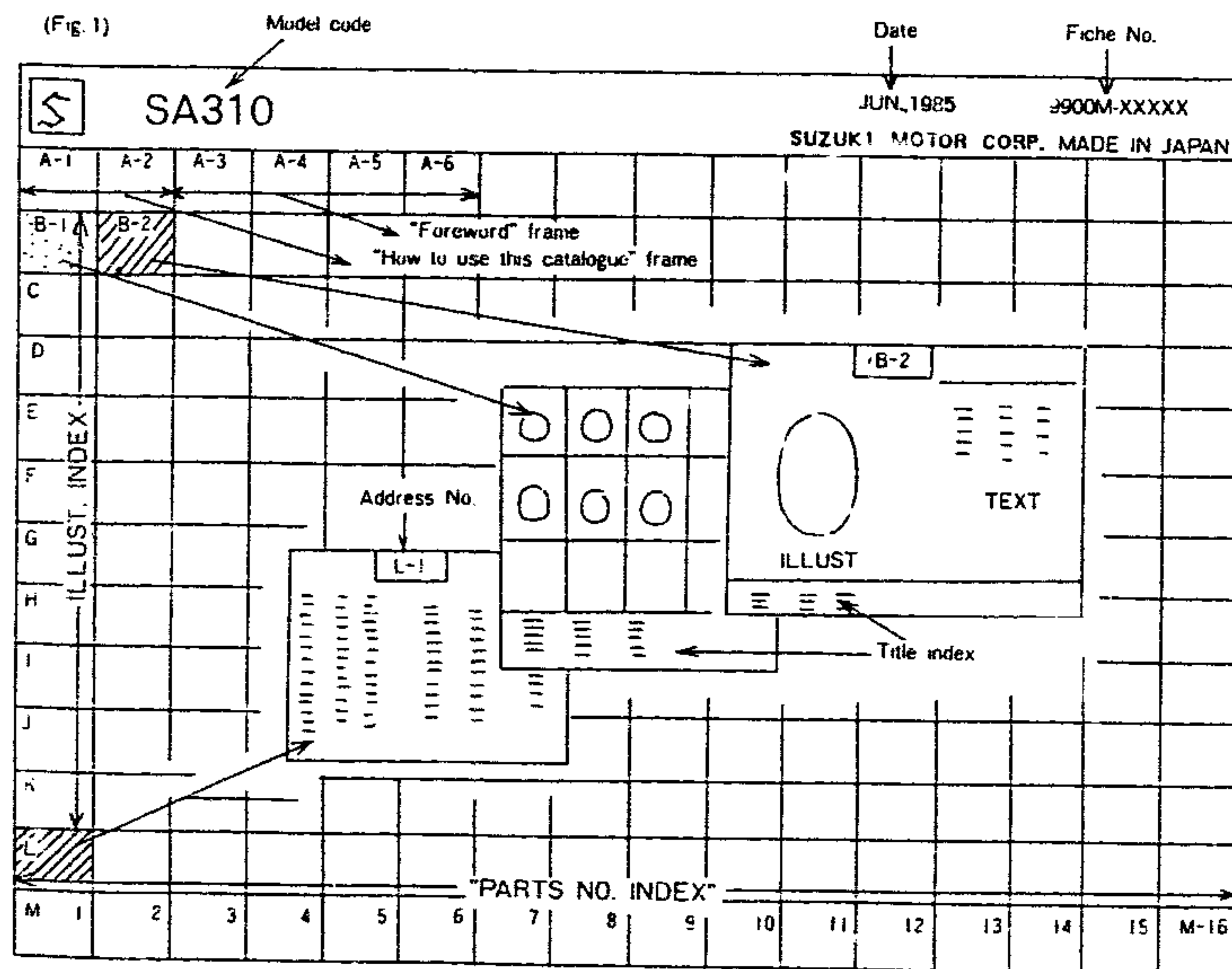
The microfiche parts catalogue we have newly prepared (hereinafter referred to as MICROCATALOGUES) have the same contents as those contained in the usual book-type parts catalogues.

If you have a microfiche reader (hereinafter referred to as READERS), you can read the information contained on the microfiche film you have, but you will still be faced with the problem of how to find the wanted film CATALOGUES, the contents are arranged according to a certain rule, and if you learn this rule by heart, any frame of the microfiche film, containing the wanted information, can be found quickly, with the use of the index plate which is attached to the READER.

It is important that you always use the index plate when looking for a certain frame in the microfiche film.

A. Composition of the MICROCATALOGUES

Now, you are going to learn the arranging "rule" of information in the MICROCATALOGUES, the "rule" determining which kinds of information are located at which parts of the microfiche films in the MICROCATALOGUES with the help of the drawing below.



Let us explain Fig. 1

- 1) Our MICROCATALOGUES consist of microfiche films each having 208 frames arranged in 13 horizontal rows (columns A through M) by 16 vertical columns (row 1 through 16).
- 2) The top space above the horizontal row A is the title space where the model code, catalogue date, and other information are printed.
- 3) File Number
Since each microfiche film contains only up to 416 pages of the book catalogues, two, three or more films are sometimes required to contain a complete catalogue. In these cases, each microfiche film composing a certain MICROCATALOGUE is identified by a consecutive file number printed at the upper right hand corner.
- 4) Date
The date on which the MICROCATALOGUE is prepared is indicated.
- 5) "How to use this catalogue"
The frames identified by the address Nos. A-1, A-2 and A-3 contains the explanation on how to use the MICROCATALOGUE.
- 6) Foreword
The frames identified by the address Nos. A-4 and A-5 contain the same foreword as contained in the book-form catalogues.
- 7) Illust. index
All the frames in the leftmost vertical column (B-1 through K-1) contain illustration indexes. Each index contains all the illustrations belonging to the respective blocks such as the engine block, electric block, and frame block, in reduced forms extracted from the MICROCATALOGUE proper, with the relevant titles and address Nos. shown.
- 8) Title index
In the space below the array of reduced illustration pages in each of the illustration index frames, the titles and the related address Nos. of all the reduced illustration pages shown in the upper space of that frame are listed to serve as title indices. The same title indices are also listed in the lower space of each of the illustrated text frames.
- 9) Parts No. index
All the frames in the bottom horizontal column (M-1 through M-16, or both of L & M in case of two microfiches existed) are for parts No. indices. All the parts Nos. contained in the MICROCATALOGUE are arranged orderly together with the respective address Nos.

B. Indexing system

Along with information contained in microfiche films, the indexing system is a major factor. In our MICROCATALOGUES, the following three indexing systems are utilized:

B-1 Indexing systems

1) Illust. index

The illust. indices are for finding parts of which the shapes are known.

NOTE: Sometimes, small parts are difficult to indentify in the illustrations by their shapes. For these parts, you should look for some larger parts to which the parts in question are attached.

2) Title index

This index system is for finding parts when the name of the principal parts to which they are related is known.

NOTE:1 For the titles of the illustration pages, only the name of the most representative piece in the page is adopted (for example, the name of an assembly part).

This means that the names of must small parts cannot be found in the parts name index list. You must always look for a major part to which the wanted parts belong, when looking for these parts, using the part name index list.

NOTE:2 When there are more titles than the title index space of one frame can accept in one catalogue, the titles are divided into several blocks (ex., engine block, frame block, etc.).

3) Parts No. Index

This index system is for finding parts when the part Nos. are known.

B-2 Indexing procedures

Now, let us explain the procedure for finding wanted frames with the help of the three indexing systems.

a. Finding wanted parts in the MICROCATALOGUE

a-1 How to find the parts Nos. of parts of which the shapes are known.

Procedure 1

Shift the fiche carrier until the B-1 square on the index plate is brought directly under the carrier needle.

Procedure 2

Now, the illust. index printed in the frame B-1 is projected on to the screen. Try to find an illustration in which the wanted part is shown, among the array of reduced illustrations projected.

Procedure 3

If you found an illustration in which the wanted part is shown, go on to Procedure 4. If the wanted part is not found in any of the illustrations in the frame B-1, shift the fiche carrier to C-1 and try to find an illustration in which the wanted part is shown among the arrayed reduced illustrations. If the wanted part is not found in any of the reduced illustrations, shift the fiche carrier to D-1, then to E-1 and so on to K-1.

Procedure 4

Make a note of the address No. of the illustration in which the wanted part is shown.

Procedure 5

Shift the fiche carrier until the square corresponding to the address No. found in the procedure 4 or 9 is brought under the carrier needle.

Procedure 6

Check the address No. of the projected square.

Procedure 7

Look for the wanted part in the illustration on the left half of the screen, and read the identification number of this part.

Procedure 8

Look for the obtained identification number in the text page in the right of the screen, and read the relevant information. This is how one part is found with the help of the illust. index system.

a-2 To find another part proceed as follows:

- 1) If the shape of the next wanted part is known, again project the frame B-1 and go through the procedures 2 through 9.
- 2) If the name of the next wanted part is known, try to find the address No. in the title index list shown in the lower portion of the screen, and carry out the procedures 5. (Title index)
- 3) If the part No. of the next wanted part is known, project the L-1 or M-1 frame and read the address No. corresponding to the known part No. Then, carry out the procedures 5. (Part No. index)

Make full use of the three index systems in each case as explained above.

NOTE: After reading the required information, you should switch off the READER and put the microfiche back in the file.

PREFACE

When it becomes necessary to replace parts on SUZUKI MOTORCYCLES, always use SUZUKI GENUINE PARTS which have passed a strict inspection which guarantees quality and performance.

This parts catalogue covers the list of all service parts for SUZUKI GSX-R750M.

INSTRUCTIONS FOR QUOTING THE CATALOGUE

1. DIMENSIONS

Dimensions of the parts in this catalogue are indicated in unit millimeters.

2. ABBREVIATIONS

Abbreviations used in this catalogue are as follows:

- | | | | |
|-------|------------------------|-----|-------------------|
| AR | : As required | NT | : Number of teeth |
| ASSY | : Assembly | OPT | : Optional |
| E.No. | : Engine number | OS | : Over size |
| F.No. | : Frame number | STD | : Standard |
| d | : Diameter of material | T | : Thickness |
| ID | : Inside diameter | US | : Under size |
| OD | : Outside diameter | W | : Width |
| L | : Length | | |
| LH | : Left hand side | | |
| RH | : Right hand side | | |

~100045 : Up to F.No.GR7AA-100045

100046~ : From F.No.GR7AA-100046

12 x 34 x 5.6Figures in the description column show the dimensions of parts.

ID OD T(or W,L)

3. INNER PARTS OF ASSEMBLY

Part name with a dot (.) in front as shown in the description column indicates the component of the assembly also available individually.

4. MODIFICATION NOTICE

A parts bulletin will be sent to you on all occasions when changes in parts occur, including interchangeable modifications between new parts and old ones.

5. NOTE

- 5-1. There are some different parts from those of production models among spare parts for the administrative reasons and common use of them with other models.
- 5-2. In respect of rubber hoses and vinyl tubes, please be sure to use them by cutting off according to the length mentioned on parts catalogue or what is actually required on the vehicle.
- 5-3. Note that the drawings on the illustration page are for ready reference of spare parts number, not to be used as an assembly manual. When assembling, use "SUZUKI SERVICE MANUAL".

6. SERIAL FRAME NUMBER

GSX-R750M : JS1GR7AA M2100001~

PREFACE

Quand il devient nécessaire de remplacer des pièces sur SUZUKI MOTOCYCLETTES toujours utiliser les PIÈCES D'ORIGINE SUZUKI qui ont été soumises à des contrôles de qualité sévères leur garantissant qualité et performance impeccables.

Ce catalogue de pièces détachées couvre la liste de toutes les pièces de rechange pour SUZUKI GSX-R750M.

INSTRUCTIONS POUR UTILISER LE CATALOGUE

1. DIMENSIONS

Les dimensions des pièces dans ce catalogue sont indiquées en unités de millimètres.

2. ABREVIATIONS

Les abréviations utilisées dans ce catalogue sont les suivantes:

AR	: Comme requis	NT	: Nombre de dents
ASSY	: Assemblage	OPT	: Sur option
E.No.	: Numéro du moteur	OS	: Sur-dimensionné
F.No.	: Numéro du châssis	T	: Epaisseur
ID	: Diamètre intérieur	US	: Sous-dimensionné
OD	: Diamètre extérieur	W	: Largeur

L : Longueur
 LH : Côté gauche
 RH : Côte droit

~100045 : Jusqu'à F.No.GR7AA-100045

100046~ : Depuis F.No.GR7AA-100046

12 x 34 x 5.6 Les chiffres dans la colonne
 | | | remarques montrent les dimensions
 | | | des pièces comme suit.

ID OD T(or W,L)

3. PIECES INTERNES DE L'ASSEMBLAGE

Les numéros de pièces qui comportent un point (.) avant la désignation de pièce détachée indique la pièce interne se rapportant à l'assemblage.

4. AVIS DE MODIFICATION

Un bulletin de pièces détachées vous sera envoyé à tout moment opportun quand des changements de pièces ont lieu, y compris les modifications de pièces interchangeableables entre les nouvelles et anciennes pièces.

5. A NOTER

- 5-1. II existe certaines pièces différentes de celles de rechange pour les modèles de production vu des raisons administratives et dont l'usage est commun avec celles d'autres modèles.
- 5-2. Concernant les durites en caoutchouc et les tuyaux en vinyle, ne pas manquer de les couper à la bonne longueur comme indiqué dans le catalogue des pièces détachées ou selon ce qui est utile pour le véhicule affecté.
- 5-3. Noter que les dessins à la page d'illustration servent à titre de référence pour les numéros de pièces détachées, et non pas comme référence pour l'assemblage. Pour cette dernière opération, se reporter au "MANUEL D'ENTRETIEN SUZUKI".

6. NUMERO DE SERIE DU CADRE

GSX-R750M: JS1GR7AA M2100001~

COLOR CHART
TABLEAU DES COULEURS
CUADRO DE COLORES
FARBTABELLE

COLOR NO. NO DE COULEUR NO.DE COLOR FARBCODE	COLOR DESCRIPTION DESCRIPTION DE COULEUR DESCRIPCIÓN DE COLOR FARBESCHREIBUNG	COLOR NO. NO DE COULEUR NO.DE COLOR FARBCODE	COLOR DESCRIPTION DESCRIPTION DE COULEUR DESCRIPCIÓN DE COLOR FARBESCHREIBUNG
H04	OJW, 28V, ONG	3CH	33J, 20H
H14	33J, 17U, 1AP	3RZ	OJW, 28V
H15	17U, 13L, 1AP	3SH	OJW, ONE
H16	17U, 1AP	3SL	OJW, ONG
H21	20H, 1AP	3SP	OJW, 019
H61	17U, 13L, 1AP	3SS	OJW, 019, 28V
OJW	PEARL STILL WHITE	3ZK	OJW, ONG, OPP
OLX	PEARL STILL WHITE	3ZL	OJW, 28V, OPR
ONE	PARSECBLUE, NO.2	33J	PEARL NOVELTY BLACK
ONG	EUROPEANBLUE, NO.2	36X	PEARL NOVELTY BLACK
OPP	T. SPARKLE RED	58R	BLACK
OPR	T. SPARKLE BLACK	84N	019, 291
019	BLACK		
05X	33J, 17U		
1AP	T, PRINCE PURPLE		
1DR	MB.ATOM PURPLE		
13L	BRIGHT SILVER METALLIC		
17U	URBAN GRAY METALLIC		
20H	WARM SILVER METALLIC		
28V	MARBLE ITALIAN RED		
28W	SPECIAL WHITE		
291	BLACK (SEMI-GLOSS)		

MILLIMETER → INCH CONVERSION CHART
TABLEAU DE CONVERSION DE MILLIMETRES → POUCES
CUADRO DE CONVERSION A UNIDAD DE MILIMETRO → PULGADA
MILLIMETER → ZOLL UMRECHNUNGSTABELLE

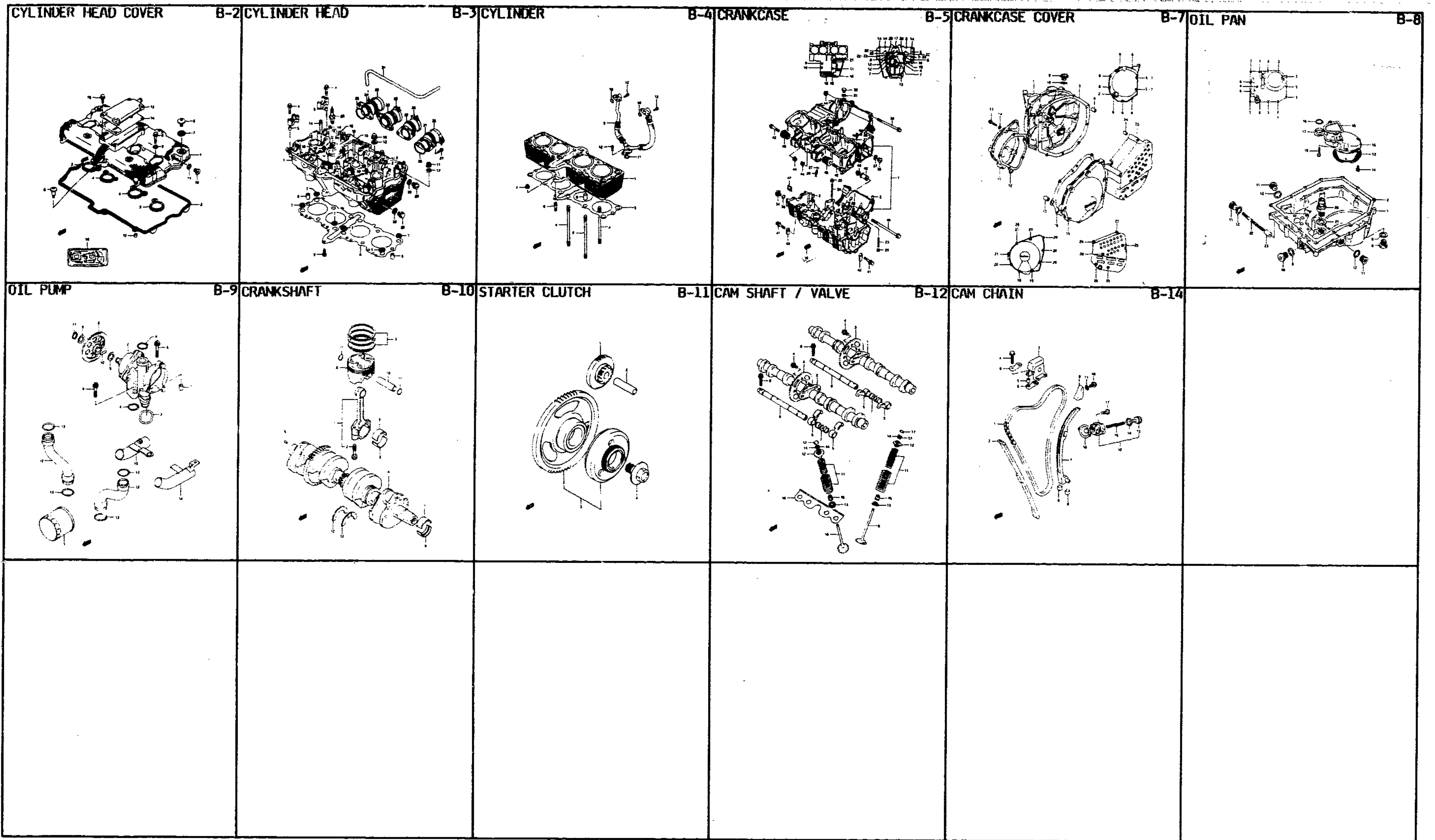
	0	1	2	3	4	5	6	7	8	9
00	.000	.039	.079	.118	.157	.197	.236	.276	.315	.354
10	.394	.433	.472	.512	.551	.591	.630	.669	.709	.748
20	.787	.827	.866	.906	.945	.984	1.024	1.063	1.102	1.142
30	1.181	1.220	1.260	1.299	1.339	1.378	1.417	1.457	1.496	1.535
40	1.575	1.614	1.654	1.693	1.732	1.772	1.811	1.850	1.890	1.929
50	1.969	2.008	2.047	2.087	2.126	2.165	2.205	2.244	2.283	2.323
60	2.362	2.402	2.441	2.480	2.520	2.559	2.598	2.638	2.677	2.717
70	2.756	2.795	2.835	2.874	2.913	2.953	2.992	3.031	3.071	3.110
80	3.150	3.189	3.228	3.268	3.307	3.346	3.386	3.425	3.465	3.504
90	3.543	3.583	3.622	3.661	3.701	3.740	3.780	3.819	3.858	3.898

How to read
 Mode de lecture
 Modo de leer
 Anleitung

	0	1	2	3	4
00	---	---	---	---	---
10	---	---	---	---	---
20	---	---	---	0.906	---
30	---	---	---	---	---

23 millimeters equal 0.906 inch
 23 millimètres égalent 0.906 pouce
 23milímetros = 0.906 pulgada
 23 millimeter entspricht 0.906 zoll

Contents are subject to change without notice or obligation.
 Les matières traitées sont susceptibles d'être modifiées sans préavis obligation de notre part.
 El contenido está sujeto a modificaciones sin previo aviso.
 Hnderungen vorbehalten.

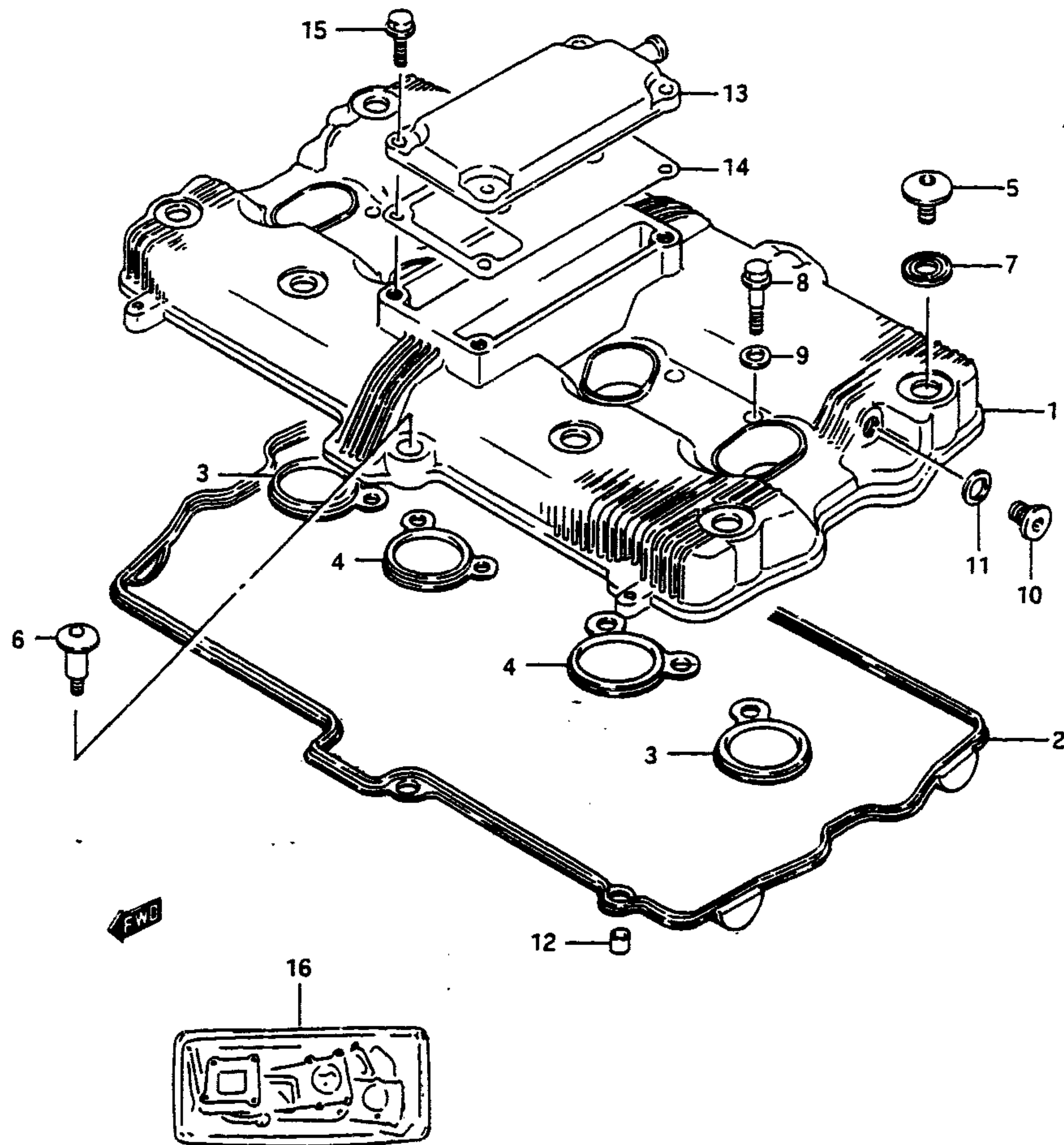


AIR CLEANER.....C-5	COWLING BODY.....H-8	ELECTRICAL.....E-6	FR MASTER CYL.....G-12	MUFFLER.....E-8	RR MASTER CYL.....H-7	STARTING MOTOR..E-2
ALTERNATOR.....E-3	COWLING FIT SET..H-11	FOOTREST.....F-4	FR WHEEL.....G-7	OIL COOLER.....C-6	RR SWINGING ARM..H-2	STEERING DAMPER..G-5
BATTERY.....E-5	CRANKCASE.....B-5	FRAME.....F-2	FUEL COCK.....F-6	OIL PAN.....C-7	RR WHEEL.....H-5	STEERING STEM...G-4
CAM CHAIN.....B-14	CRANKCASE COVER..B-7	FRAME COVER...F-8	FUEL TANK.....F-5	OIL PUMP.....B-9	SEAT.....F-7	TAIL LAMP.....E-10
CAM SHAFT.....B-12	CRANKSHAFT.....B-10	FR BRAKE HOSE..G-11	GEAR SHIFTING..D-5	OPTIONAL.....H-13	SIGNAL GENERATOR..E-4	TRANSMISSION....D-3
CARBURETOR.....C-2	CYLINDER.....B-4	FR CALIPERS...G-10	HANDLE SWITCH..G-9	RR CALIPER.....H-6	SPEEDOMETER.....E-7	TURN SIGNAL LAMP..E-9
CARBURETOR FIT..C-4	CYLINDER HEAD...B-3	FR DAMPER.....G-2	HANDLEBAR.....G-8	RR CUSHION LEVER..H-3	STAND.....F-3	WIRING HARNESS..E-11
CLUTCH.....D-2	CYL HEAD COVER..B-2	FR FENDER.....G-6	HEADLAMP.....E-8	RR FENDER.....H-4	STARTER CLUTCH...B-11	

FIG.1

B - 2

FIG.1 (B- 2) CYLINDER HEAD COVER



1

REF.NO.	PART NO.	DESCRIPTION	Q'TY	REMARKS
1	11171-17000	COVER, cylinder head	1	
2	11173-27A02	GASKET, head cover No.1	1	
3	11178-27A01	GASKET, head cover No.2	2	
4	11179-27A02	GASKET, head cover No.3	2	
5	09106-07009	BOLT (L:5.5)	8	
6	09106-07010	BOLT (L:19)	2	
7	09161-11008	WASHER	8	
8	09360-08009	BOLT, union	4	
9	09168-08008	GASKET	4	
10	09248-12004	PLUG, head cover	2	
11	09168-12002	GASKET	2	
12	04221-08129	PIN	2	
13	11176-31301	COVER, breather	1	
14	11177-27A00-H17	GASKET, breather cover	1	
15	01517-06204	BOLT	4	
16	11400-07891	GASKET SET	1	OF 1

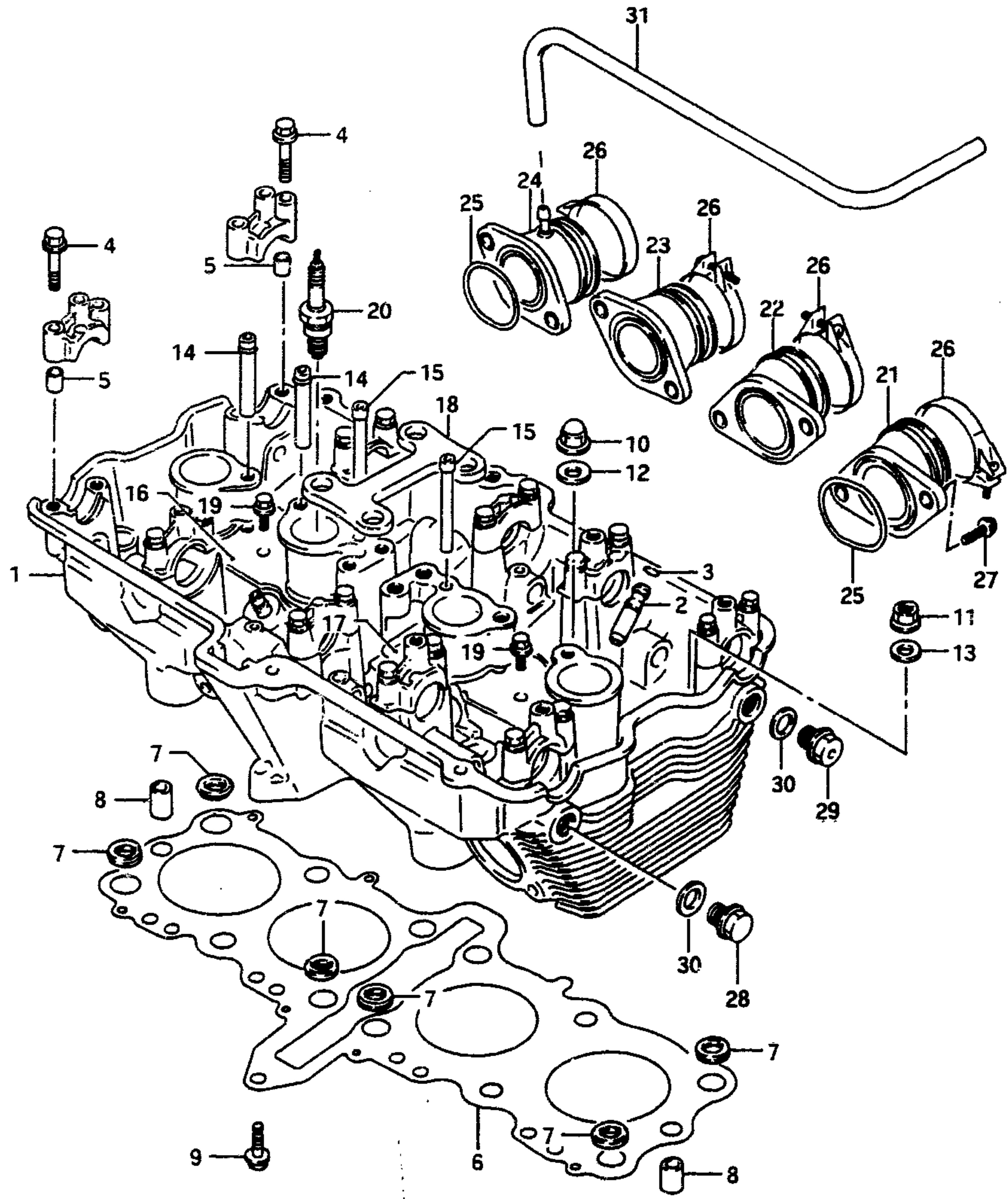
GSX-R750M E28

GSX-R750M E28

AIR CLEANER...C-5	COWLING BODY...H-8	ELECTRICAL...E-6	FR MASTER CYL...G-12	MUFFLER...E-8	RR MASTER CYL...H-7	STARTING MOTOR...E-2
ALTERNATOR...E-3	COWLING FIT SET...H-11	FOOTREST...F-4	FR WHEEL...G-7	OIL COOLER...C-6	RR SWINGING ARM...H-2	STEERING DAMPER...G-5
BATTERY...E-5	CRANKCASE...B-5	FRAME...F-2	FUEL COCK...F-6	OIL PAN...C-7	RR WHEEL...H-5	STEERING STEM...G-4
CAM CHAIN...B-14	CRANKCASE COVER...B-7	FRAME COVER...F-8	FUEL TANK...F-5	OIL PUMP...B-9	SEAT...F-7	TAIL LAMP...E-10
CAM SHAFT...B-12	CRANKSHAFT...B-10	FR BRAKE HOSE...G-11	GEAR SHIFTING...D-5	OPTIONAL...H-13	SIGNAL GENERATOR...E-4	TRANSMISSION...D-3
CARBURETOR...C-2	CYLINDER...B-4	FR CALIPERS...G-10	HANDLE SWITCH...G-9	RR CALIPER...H-6	SPEEDOMETER...E-7	TURN SIGNAL LAMP...E-9
CARBURETOR FIT...C-4	CYLINDER HEAD...B-3	FR DAMPER...G-2	HANDLEBAR...G-8	RR CUSHION LEVER...H-3	STAND...F-3	WIRING HARNESS...E-11
CLUTCH...D-2	CYL HEAD COVER...B-2	FR FENDER...G-6	HEADLAMP...E-8	RR FENDER...H-4	STARTER CLUTCH...B-11	

FIG.2

B - 3



2

FIG.2 (B- 3) CYLINDER HEAD

REF.NO.	PART NO.	DESCRIPTION	Q'TY	REMARKS
1	11100-18000	HEAD ASSY, cylinder	1	
2	11116-18070	.GUIDE, valve	16	
3	09381-10004	.RING, valve guide	16	
4	09103-06026	.BOLT	20	
5	09206-08001	.PIN	20	
6	11141-07001	GASKET, cylinder head	1	
7	11143-06800	O RING	6	
8	04211-11189	PIN	2	
9	01517-06305	BOLT	1	
10	09159-10069	NUT	4	
11	08316-16106	NUT	8	
12	09168-10031	GASKET	4	
13	09160-10060	WASHER (10.5x22x2.3)	4	
14	11131-27A00	PIPE, oil No.1,2	4	
15	11133-27A00	PIPE, oil No.3	2	
16	11135-27A02	PLATE, oil pipe,RH	1	
17	11136-27A02	PLATE, oil pipe,LH	1	
18	11138-40C00	PLATE, head reinforcement	1	
19	01517-06128	BOLT	4	
20-1	09482-00462	SPARK PLUG (NGK,CR10EK)	4	
20-2	09482-00463	SPARK PLUG (ND,U31ETR)	4	
20-3	09482-00410	SPARK PLUG (NGK,CR9EK)	4	OPT
20-4	09482-00411	SPARK PLUG (Nd,U27ETR)	4	OPT
21	13101-17000	PIPE, intake, LH	1	
22	13102-17000	PIPE, intake, ML	1	
23	13103-17000	PIPE, intake, MR	1	
24	13104-17000	PIPE, intake, RH	1	
25	09280-42003	.O RING	4	
26	09402-56208	CLAMP	4	
27	02152-06165	SCREW	8	
28	09247-14034	PLUG, cylinder head EX	2	
29	09247-14032	PLUG, cylinder head IN	2	
30	09168-14004	GASKET	4	
31	09352-50823-300	HOSE, vacuum (L:300+230)	1	

GSX-R750M E28

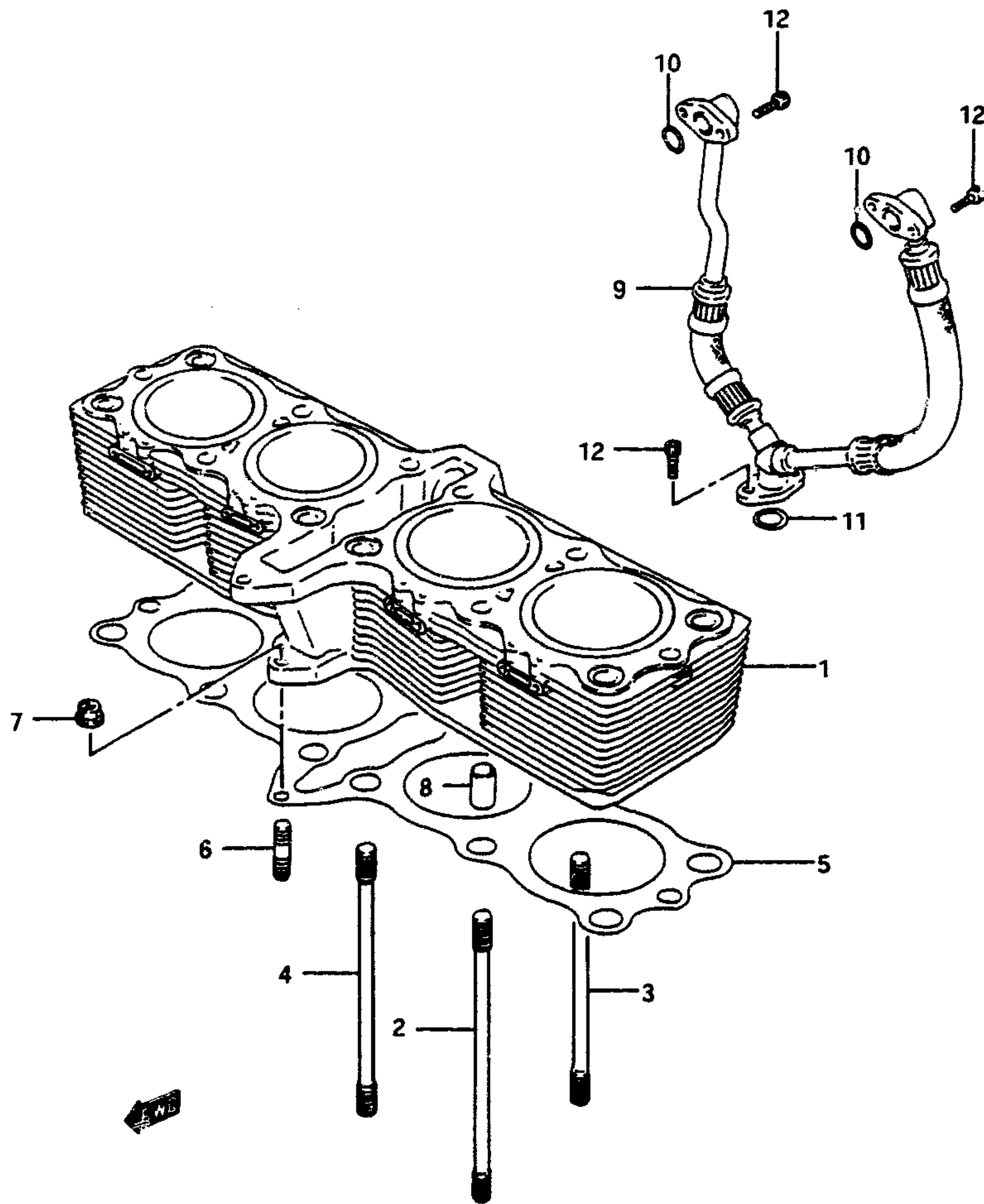
GSX-R750M E28

AIR CLEANER.....C-5	COWLING BODY.....H-8	ELECTRICAL.....E-6	FR MASTER CYL.....G-12	MUFFLER.....E-8	RR MASTER CYL.....H-7	STARTING MOTOR...E-2
ALTERNATOR.....E-3	COWLING FIT SET...H-11	FOOTREST.....F-4	FR WHEEL.....G-7	OIL COOLER.....C-6	RR SWINGING ARM...H-2	STEERING DAMPER...G-5
BATTERY.....E-5	CRANKCASE.....B-5	FRAME.....F-2	FUEL COCK.....F-6	OIL PAN.....C-7	RR WHEEL.....H-5	STEERING STEM...G-4
CAM CHAIN.....B-14	CRANKCASE COVER...B-7	FRAME COVER...F-8	FUEL TANK.....F-5	OIL PUMP.....B-9	SEAT.....F-7	TAIL LAMP.....E-10
CAM SHAFT.....B-12	CRANKSHAFT.....B-10	FR BRAKE HOSE...G-11	GEAR SHIFTING...D-5	OPTIONAL.....H-13	SIGNAL GENERATOR...E-4	TRANSMISSION.....D-3
CARBURETOR.....C-2	CYLINDER.....B-4	FR CALIPERS...G-10	HANDLE SWITCH...G-9	RR CALIPER.....H-6	SPEEDOMETER.....E-7	TURN SIGNAL LAMP...E-9
CARBURETOR FIT...C-4	CYLINDER HEAD...B-3	FR DAMPER.....G-2	HANDLEBAR.....G-8	RR CUSHION LEVER...H-3	STAND.....F-3	WIRING HARNESS...E-11
CLUTCH.....D-2	CYL HEAD COVER...B-2	FR FENDER.....G-6	HEADLAMP.....E-8	RR FENDER.....H-4	STARTER CLUTCH...B-11	

FIG.3

B - 4

FIG.3 (B- 4) CYLINDER



3

REF.NO.	PART NO.	DESCRIPTION	Q'TY	REMARKS
1	11210-07D00	CYLINDER	1	
2	09108-10109	STUD BOLT (10x150)	8	
3	09108-10073	STUD BOLT (10x143)	2	
4	09108-10110	STUD BOLT (10x157)	2	
5	11241-27A02	GASKET, cylinder	1	
6	01421-06205	STUD BOLT	1	
7	08316-16064	NUT	1	
8	09206-13006	PIN	2	
9	11328-27A02	HOSE, oil head cooler	1	
10	09280-14011	O RING	2	
11	09280-15007	O RING	1	
12	07110-06165	BOLT	6	

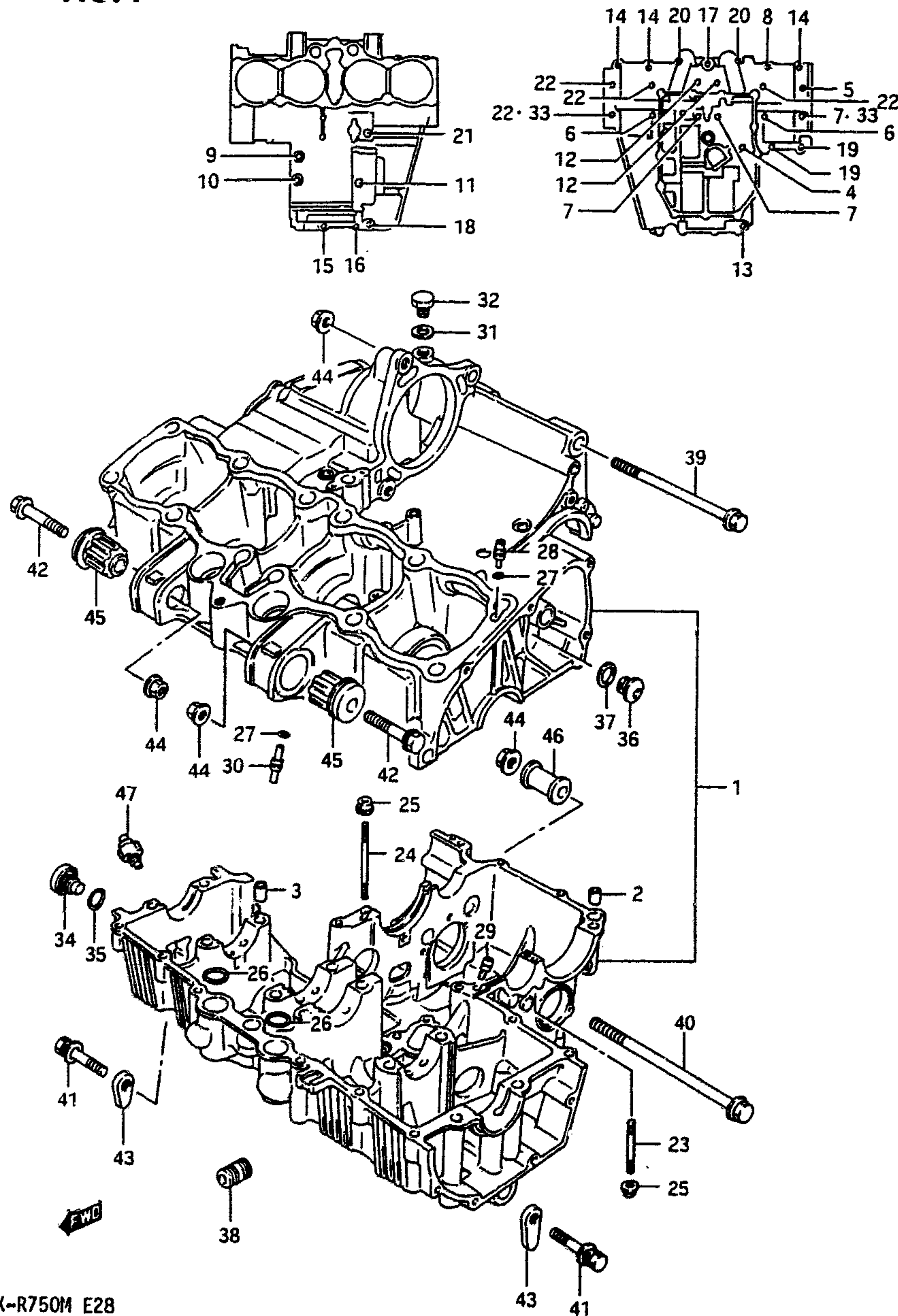
GSX-R750M E28

GSX-R750M E28

AIR CLEANER...C-5	COWLING BODY...H-8	ELECTRICAL...E-6	FR MASTER CYL...G-12	MUFFLER...E-8	RR MASTER CYL...H-7	STARTING MOTOR...E-2
ALTERNATOR...E-3	COWLING FIT SET...H-11	FOOTREST...F-4	FR WHEEL...G-7	OIL COOLER...C-6	RR SWINGING ARM...H-2	STEERING DAMPER...G-5
BATTERY...E-5	CRANKCASE...B-5	FRAME...F-2	FUEL COCK...F-6	OIL PAN...C-7	RR WHEEL...H-5	STEERING STEM...G-4
CAM CHAIN...B-14	CRANKCASE COVER...B-7	FRAME COVER...F-8	FUEL TANK...F-5	OIL PUMP...B-9	SEAT...F-7	TAIL LAMP...E-10
CAM SHAFT...B-12	CRANKSHAFT...B-10	FR BRAKE HOSE...G-11	GEAR SHIFTING...D-5	OPTIONAL...H-13	SIGNAL GENERATOR...E-4	TRANSMISSION...D-3
CARBURETOR...C-2	CYLINDER...B-4	FR CALIPERS...G-10	HANDLE SWITCH...G-9	RR CALIPER...H-6	SPEEDOMETER...E-7	TURNSIGNAL LAMP...E-9
CARBURETOR FIT...C-4	CYLINDER HEAD...B-3	FR DAMPER...G-2	HANDLEBAR...G-8	RR CUSHION LEVER...H-3	STAND...F-3	WIRING HARNESS...E-11
CLUTCH...D-2	CYL HEAD COVER...B-2	FR FENDER...G-6	HEADLAMP...E-8	RR FENDER...H-4	STARTER CLUTCH...B-11	

FIG.4

B-5



GSX-R750M E28

FIG.4 (B- 5) CRANKCASE

REF.NO.	PART NO.	DESCRIPTION	Q'TY	REMARKS
1	11301-27810	CRANKCASE SET	1	
2	09206-13004	.PIN	2	
3	09206-11005	.PIN	2	
4	09103-06067	.BOLT (6x105)	1	
5	09103-08261	.BOLT (8x105)	1	
6	09103-08182	.BOLT (8x125)	2	
7	09103-08264	.BOLT (8x115)	3	
8	01517-06354	.BOLT	1	
9	07110-06405	.BOLT	1	
10	07110-06505	.BOLT	1	
11	07110-06655	.BOLT	1	
12	07110-08655	.BOLT	2	
13	01517-08605	.BOLT	1	
14	01517-06354	.BOLT	3	
15	01517-06404	.BOLT	1	
16	01517-06408	.BOLT	1	
17	01517-06505	.BOLT	1	
18	01517-06605	.BOLT	1	
19	01517-06557	.BOLT	2	
20	01517-06705	.BOLT	2	
21	01517-06805	.BOLT	1	
22	09103-08260	.BOLT (8x95)	4	
23	01421-06408	.STUD BOLT	1	
24	01421-06608	.STUD BOLT	1	
25	09159-06017	.NUT	2	
26	09280-21008	.O RING, oil return	2	
27	09280-04004	.O RING	6	
28	09493-14002	.JET, oil gallery head	2	
29	09493-24010	.JET, oil gallery gear shift	2	
30	09493-80008	.JET, oil gallery piston	4	
31	09169-12002	.GASKET, hole plug	1	
32	09247-12103	.PLUG, hole	1	
33	09168-08021	.GASKET	2	
34	09248-16003	.PLUG, oil gallery	1	
35	09280-17002	.O RING	1	
36	09248-14005	.PLUG, oil gallery	1	
37	09168-14004	.GASKET	1	

GSX-R750M E28

AIR CLEANER.....C-5	COWLING BODY.....H-8	ELECTRICAL.....E-6	FR MASTER CYL.....G-12	MUFFLER.....E-8	RR MASTER CYL.....H-7	STARTING MOTOR...E-2
ALTERNATOR.....E-3	COWLING FIT SET..H-11	FOOTREST.....F-4	FR WHEEL.....G-7	OIL COOLER.....C-6	RR SWINGING ARM..H-2	STEERING DAMPER..G-5
BATTERY.....E-5	CRANKCASE.....B-5	FRAME.....F-2	FUEL COCK.....F-6	OIL PAN.....C-7	RR WHEEL.....H-5	STEERING STEM...G-4
CAM CHAIN.....B-14	CRANKCASE COVER..B-7	FRAME COVER...F-8	FUEL TANK.....F-5	OIL PUMP.....B-9	SEAT.....F-7	TAIL LAMP.....E-10
CAM SHAFT.....B-12	CRANKSHAFT.....B-10	FR BRAKE HOSE..G-11	GEAR SHIFTING..D-5	OPTIONAL.....H-13	SIGNAL GENERATOR..E-4	TRANSMISSION....D-3
CARBURETOR.....C-2	CYLINDER.....B-4	FR CALIPERS...G-10	HANDLE SWITCH..G-9	RR CALIPER.....H-6	SPEEDOMETER.....E-7	URNSIGNAL LAMP..E-9
CARBURETOR FIT..C-4	CYLINDER HEAD...B-3	FR DAMPER.....G-2	HANDLEBAR.....G-8	RR CUSHION LEVER..H-3	STAND.....F-3	WIRING HARNESS..E-11
CLUTCH.....D-2	CYL HEAD COVER..B-2	FR FENDER.....G-6	HEADLAMP.....E-8	RR FENDER.....H-4	STARTER CLUTCH...B-11	

FIG.4

B-6

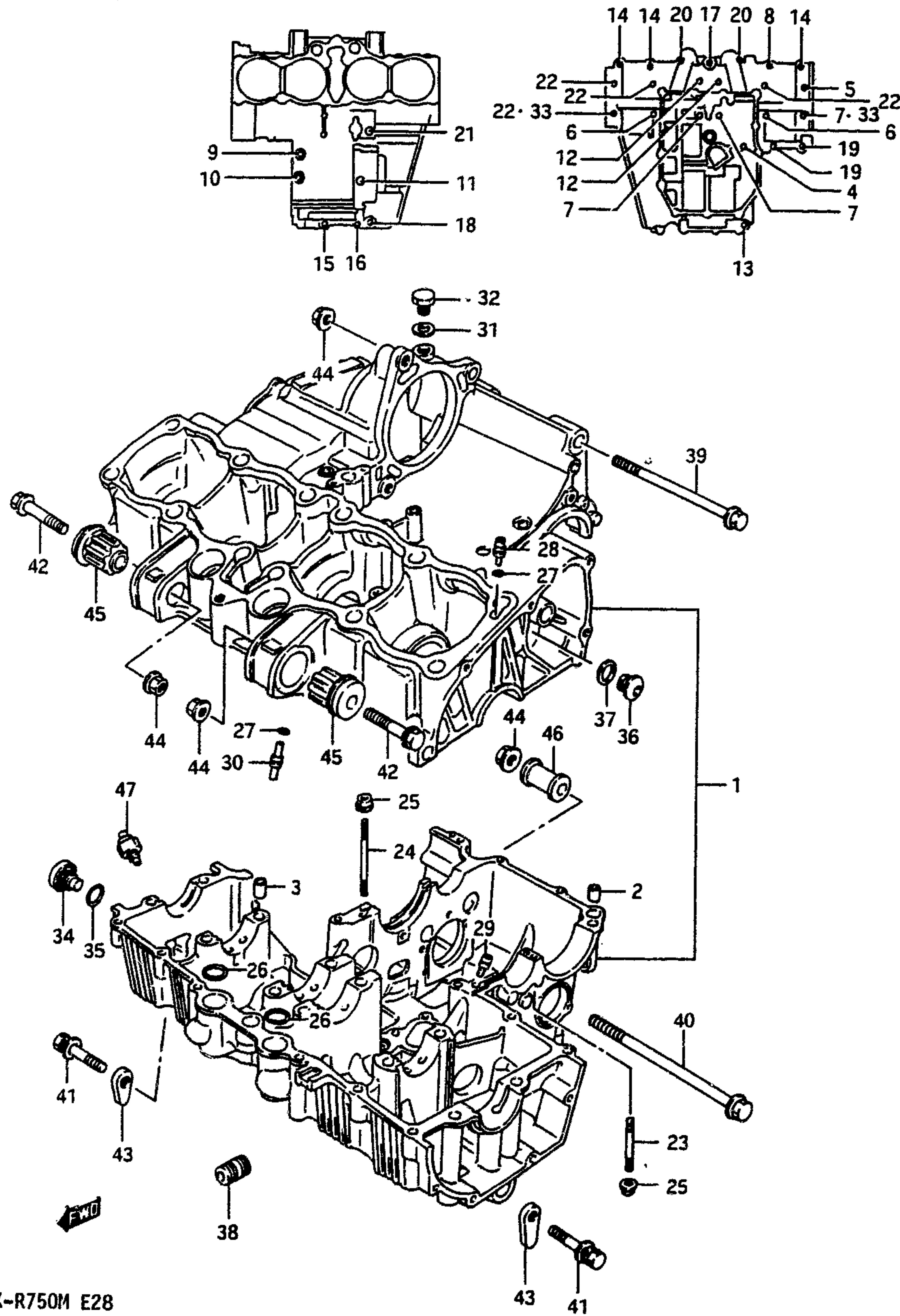


FIG.4 (B- 6) CRANKCASE

REF.NO.	PART NO.	DESCRIPTION	Q'TY	REMARKS
38	16591-06B00	UNION, oil filter stand	1	
39	09103-10139	BOLT (10x150)	1	
40	09103-10151	BOLT (10x175)	1	
41	01987-10558	BOLT	2	
42	01517-10558	BOLT	2	
43	09159-10020	NUT	2	
44	09159-10058	NUT	4	
45	11681-27A00	BUSH	2	
46	11611-17C00	SPACER (L:27)	1	
47	37820-33200	SWITCH, oil pressure	1	

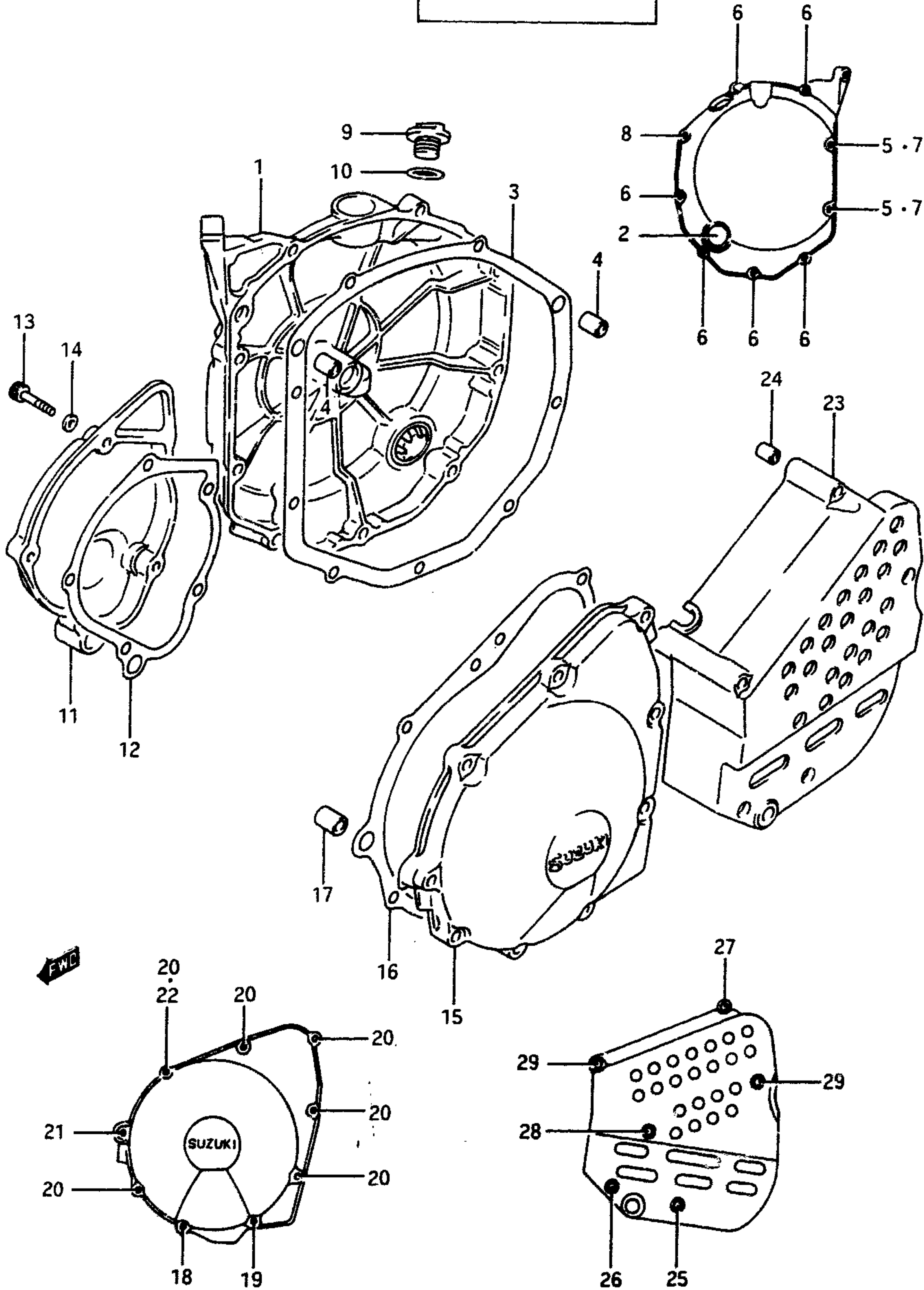
GSX-R750M E28

GSX-R750M E28

AIR CLEANER.....C-5	COWLING BODY.....H-8	ELECTRICAL.....E-6	FR MASTER CYL.G-12	MUFFLER.....E-8	FR MASTER CYL....H-7	STARTING MOTOR...E-2
ALTERNATOR.....E-3	COWLING FIT SET.H-11	FOOTREST.....F-4	FR WHEEL.....G-7	OIL COOLER.....C-6	RR SWINGING ARM..H-2	STEERING DAMPER.G-5
BATTERY.....E-5	CRANKCASE.....B-5	FRAME.....F-2	FUEL COCK.....F-6	OIL PAN.....C-7	RR WHEEL.....H-5	STEERING STEM...G-4
CAM CHAIN.....B-14	CRANKCASE COVER.B-7	FRAME COVER...F-8	FUEL TANK.....F-5	OIL PUMP.....B-9	SEAT.....F-7	TAIL LAMP.....E-10
CAM SHAFT.....B-12	CRANKSHAFT.....B-10	FR BRAKE HOSE.G-11	GEAR SHIFTING.D-5	OPTIONAL.....H-13	SIGNAL GENERATOR.E-4	TRANSMISSION....D-3
CARBURETOR.....C-2	CYLINDER.....B-4	FR CALIPERS...G-10	HANDLE SWITCH.G-9	RR CALIPER.....H-6	SPEEDOMETER.....E-7	TURNSIGNAL LAMP.E-9
CARBURETOR FIT.C-4	CYLINDER HEAD..B-3	FR DAMPER.....G-2	HANDLEBAR.....G-8	RR CUSHION LEVER.H-3	STAND.....F-3	WIRING HARNESS..E-11
CLUTCH.....D-2	CYL HEAD COVER..B-2	FR FENDER.....G-6	HEADLAMP.....E-8	RR FENDER.....H-4	STARTER CLUTCH...B-11	

FIG.5

B - 7



GSX-R750M E28

FIG.5 (B- 7) CRANKCASE COVER

REF.NO.	PART NO.	DESCRIPTION	Q'TY	REMARKS
1	11340-07000	COVER, clutch	1	
2	11971-33210	.LENS, oil level	1	
3	11482-27A10	GASKET, clutch cover	1	
4	04211-09189	PIN	2	
5	09168-06024	GASKET	2	
6	07110-06255	BOLT	6	
7	07110-06305	BOLT	2	
8	07110-06355	BOLT	1	
9	09259-20012	PLUG, engine oil filler	1	
10	09280-17003	O RING	1	
11	11381-27A01	COVER, signal generator	1	
12	11491-27A10	GASKET, signal generator cover	1	
13	09106-06059	BOLT (6x23)	5	
14	09168-06024	GASKET	1	
15	11351-17C00	COVER, starter gear	1	
16	11483-27A10	GASKET, starter gear cover	1	
17	09206-11005	PIN	1	
18	07110-06165	BOLT	1	
19	07110-06205	BOLT	1	
20	07110-06255	BOLT	6	
21	07110-06405	BOLT	1	
22	09168-06024	GASKET	1	
23	11361-17C02	COVER, engine sprocket	1	
24	04211-09129	PIN	2	
25	07110-06405	BOLT	1	
26	07110-06305	BOLT	1	
27	07110-06505	BOLT	1	
28	07110-06655	BOLT	1	
29	07110-06705	BOLT	2	

GSX-R750M E28

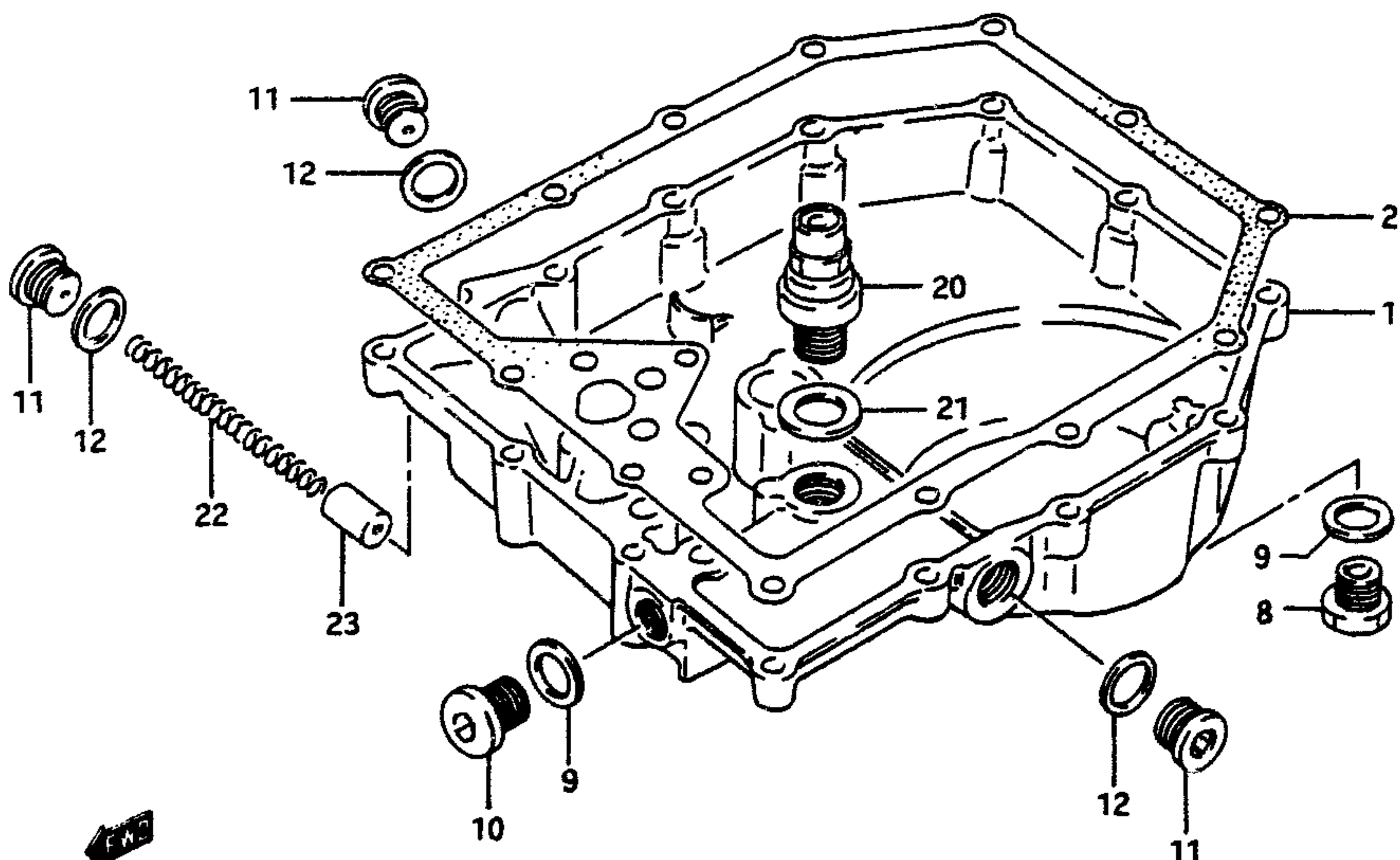
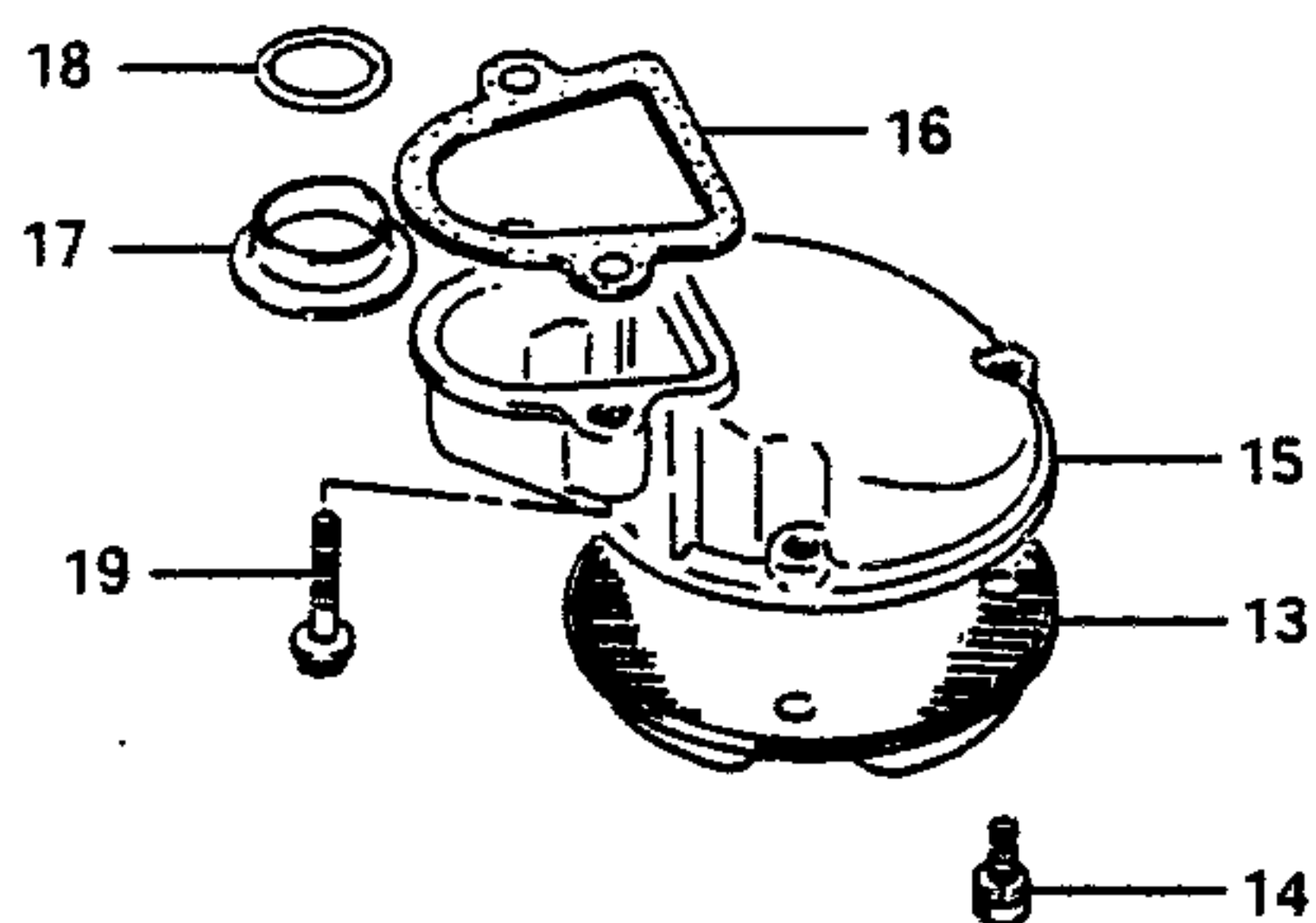
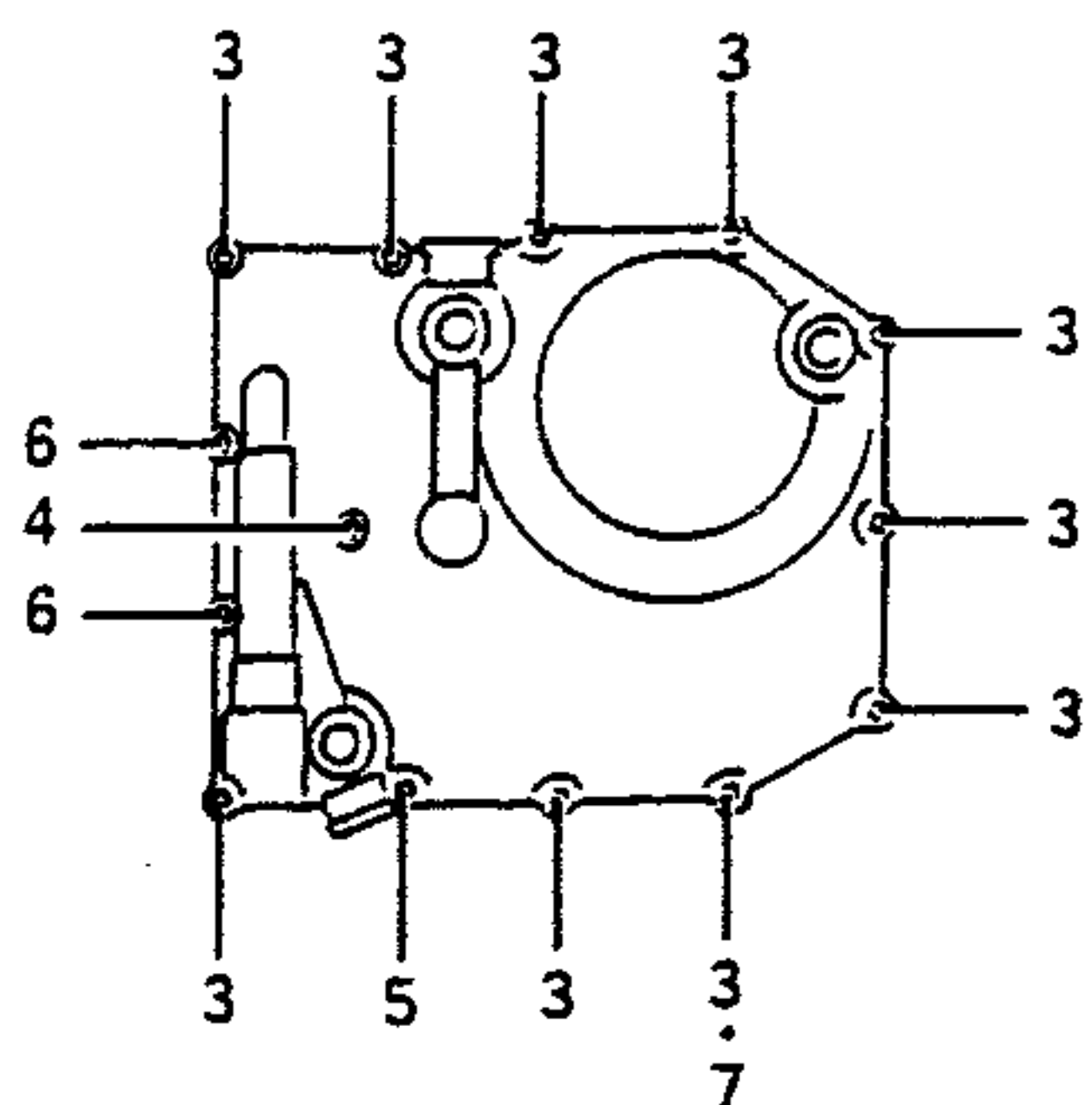
AIR CLEANER.....C-5	COWLING BODY.....H-8	ELECTRICAL.....E-6	FR MASTER CYL.G-12	MUFFLER.....E-8	RR MASTER CYL.....H-7	STARTING MOTOR..E-2
ALTERNATOR.....E-3	COWLING FIT SET.H-11	FOOTREST.....F-4	FR WHEEL.....G-7	OIL COOLER.....C-6	RR SWINGING ARM..H-2	STEERING DAMPER.G-5
BATTERY.....E-5	CRANKCASE.....B-5	FRAME.....F-2	FUEL COCK.....F-6	OIL PAN.....C-7	RR WHEEL.....H-5	STEERING STEM...G-4
CAM CHAIN.....B-14	CRANKCASE COVER.B-7	FRAME COVER...F-8	FUEL TANK.....F-5	OIL PUMP.....B-9	SEAT.....F-7	TAIL LAMP.....E-10
CAM SHAFT.....B-12	CRANKSHAFT.....B-10	FR BRAKE HOSE.G-11	GEAR SHIFTING.D-5	OPTIONAL.....H-13	SIGNAL GENERATOR.E-4	TRANSMISSION....D-3
CARBURETOR.....C-2	CYLINDER.....B-4	FR CALIPERS...G-10	HANDLE SWITCH.G-9	RR CALIPER.....H-6	SPEEDOMETER.....E-7	URNSIGNAL LAMP.E-9
CARBURETOR FIT.C-4	CYLINDER HEAD..B-3	FR DAMPER.....G-2	HANDLEBAR.....G-8	RR CUSHION LEVER.H-3	STAND.....F-3	WIRING HARNESS..E-11
CLUTCH.....D-2	CYL HEAD COVER..B-2	FR FENDER.....G-6	HEADLAMP.....E-8	RR FENDER.....H-4	STARTER CLUTCH..B-11	

FIG.6

B - 8

7

FIG.6 (B- 8) OIL PAN



REF.NO.	PART NO.	DESCRIPTION	Q'TY	REMARKS
1	11511-17D01	PAN, oil	1	
2	11489-27A10	GASKET, oil pan	1	
3	07110-06257	BOLT	10	
4	07110-06357	BOLT	1	
5	07110-06408	BOLT	1	
6	07110-06458	BOLT	2	
7	09168-06024	GASKET	1	
8	09247-14001	PLUG, Oil drain	1	
9	09168-14004	GASKET	2	
10	09248-14005	PLUG, oil gallery	1	
11	09248-16010	PLUG, oil gallery	3	
12	09168-16002	GASKET	3	
13	16520-09301	STRAINER, engine oil	1	
14	01137-06128	BOLT	3	
15	16525-06800	PROTECTOR, strainer	1	
16	16528-27A10	GASKET, protector	1	
17	16529-27A01	GASKET, outlet	1	
18	09280-18009	O RING	1	
19	01517-06257	BOLT	2	
20	16440-17C00	REGULATOR, engine oil	1	
21	09168-16002	WASHER	1	
22	09440-09027	SPRING	1	
23	16442-34301	PLUNGER, oil control	1	

GSX-R750M E28

GSX-R750M E28

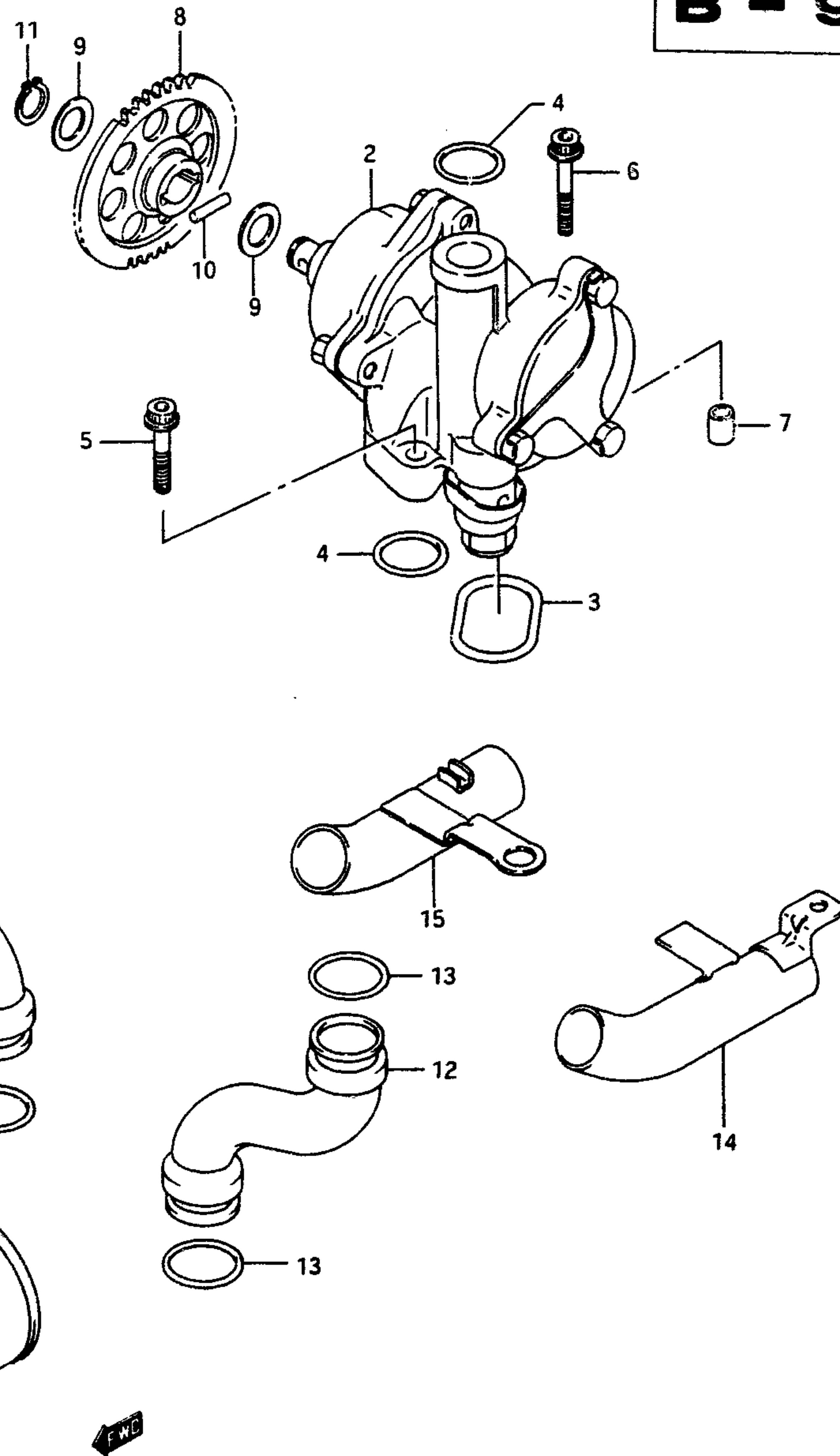
AIR CLEANER.....C-5	COWLING BODY.....H-8	ELECTRICAL.....E-6	FR MASTER CYL.....G-12	MUFFLER.....E-8	RR MASTER CYL.....H-7	STARTING MOTOR.....E-2
ALTERNATOR.....E-3	COWLING FIT SET.....H-11	FOOTREST.....F-4	FR WHEEL.....G-7	OIL COOLER.....C-6	RR SWINGING ARM.....H-2	STEERING DAMPER.....G-5
BATTERY.....E-5	CRANKCASE.....B-5	FRAME.....F-2	FUEL COCK.....F-6	OIL PAN.....C-7	RR WHEEL.....H-5	STEERING STEM.....G-4
CAM CHAIN.....B-14	CRANKCASE COVER.....B-7	FRAME COVER.....F-8	FUEL TANK.....F-5	OIL PUMP.....B-9	SEAT.....F-7	TAIL LAMP.....E-10
CAM SHAFT.....B-12	CRANKSHAFT.....B-10	FR BRAKE HOSE.....G-11	GEAR SHIFTING.....D-5	OPTIONAL.....H-13	SIGNAL GENERATOR.....E-4	TRANSMISSION.....D-3
CARBURETOR.....C-2	CYLINDER.....B-4	FR CALIPERS.....G-10	HANDLE SWITCH.....G-9	RR CALIPER.....H-6	SPEEDOMETER.....E-7	URNSIGNAL LAMP.....E-9
CARBURETOR FIT.....C-4	CYLINDER HEAD.....B-3	FR DAMPER.....G-2	HANDLEBAR.....G-8	RR CUSHION LEVER.....H-3	STAND.....F-3	WIRING HARNESS.....E-11
CLUTCH.....D-2	CYL HEAD COVER.....B-2	FR FENDER.....G-6	HEADLAMP.....E-8	RR FENDER.....H-4	STARTER CLUTCH.....B-11	

FIG.7

B - 9

8

FIG.7 (B- 9) OIL PUMP



REF.NO.	PART NO.	DESCRIPTION	Q'TY	REMARKS
1	16510-06B01	FILTER, engine oil	1	
2	16400-06B10	PUMP ASSY, engine oil	1	
3	16491-27A01	O RING, oil pump	1	
4	09280-18009	O RING	2	
5	07120-06308	BOLT	2	
6	07120-06358	BOLT	1	
7	04211-09129	PIN	2	
8	16332-19C00	GEAR, oil pump driven	1	
9	08221-12205	WASHER	2	
10	09261-05006	PIN	1	
11	08331-31128	CIRCLIP	1	
12	16481-17D00	PIPE, outlet	2	
13	09280-22016	O RING	4	
14	16530-27A02	PIPE, oil under, LH	1	
15	16540-27A02	PIPE, oil under, RH	1	

GSX-R750M E28

GSX-R750M E28

AIR CLEANER...C-5	COWLING BODY...H-8	ELECTRICAL...E-6	FR MASTER CYL...G-12	MUFFLER...E-8	RR MASTER CYL...H-7	STARTING MOTOR...E-2
ALTERNATOR...E-3	COWLING FIT SET...H-11	FOOTREST...F-4	FR WHEEL...G-7	OIL COOLER...C-6	RR SWINGING ARM...H-2	STEERING DAMPER...G-5
BATTERY...E-5	CRANKCASE...B-5	FRAME...F-2	FUEL COCK...F-6	OIL PAN...C-7	RR WHEEL...H-5	STEERING STEM...G-4
CAM CHAIN...B-14	CRANKCASE COVER...B-7	FRAME COVER...F-8	FUEL TANK...F-5	OIL PUMP...B-9	SEAT...F-7	TAIL LAMP...E-10
CAM SHAFT...B-12	CRANKSHAFT...B-10	FR BRAKE HOSE...G-11	GEAR SHIFTING...D-5	OPTIONAL...H-13	SIGNAL GENERATOR...E-4	TRANSMISSION...D-3
CARBURETOR...C-2	CYLINDER...B-4	FR CALIPERS...G-10	HANDLE SWITCH...G-9	RR CALIPER...H-6	SPEEDOMETER...E-7	URNSIGNAL LAMP...E-9
CARBURETOR FIT...C-4	CYLINDER HEAD...B-3	FR DAMPER...G-2	HANDLEBAR...G-8	RR CUSHION LEVER...H-3	STAND...F-3	WIRING HARNESS...E-11
CLUTCH...D-2	CYL HEAD COVER...B-2	FR FENDER...G-6	HEADLAMP...E-8	RR FENDER...H-4	STARTER CLUTCH...B-11	

FIG. 8

B - 10

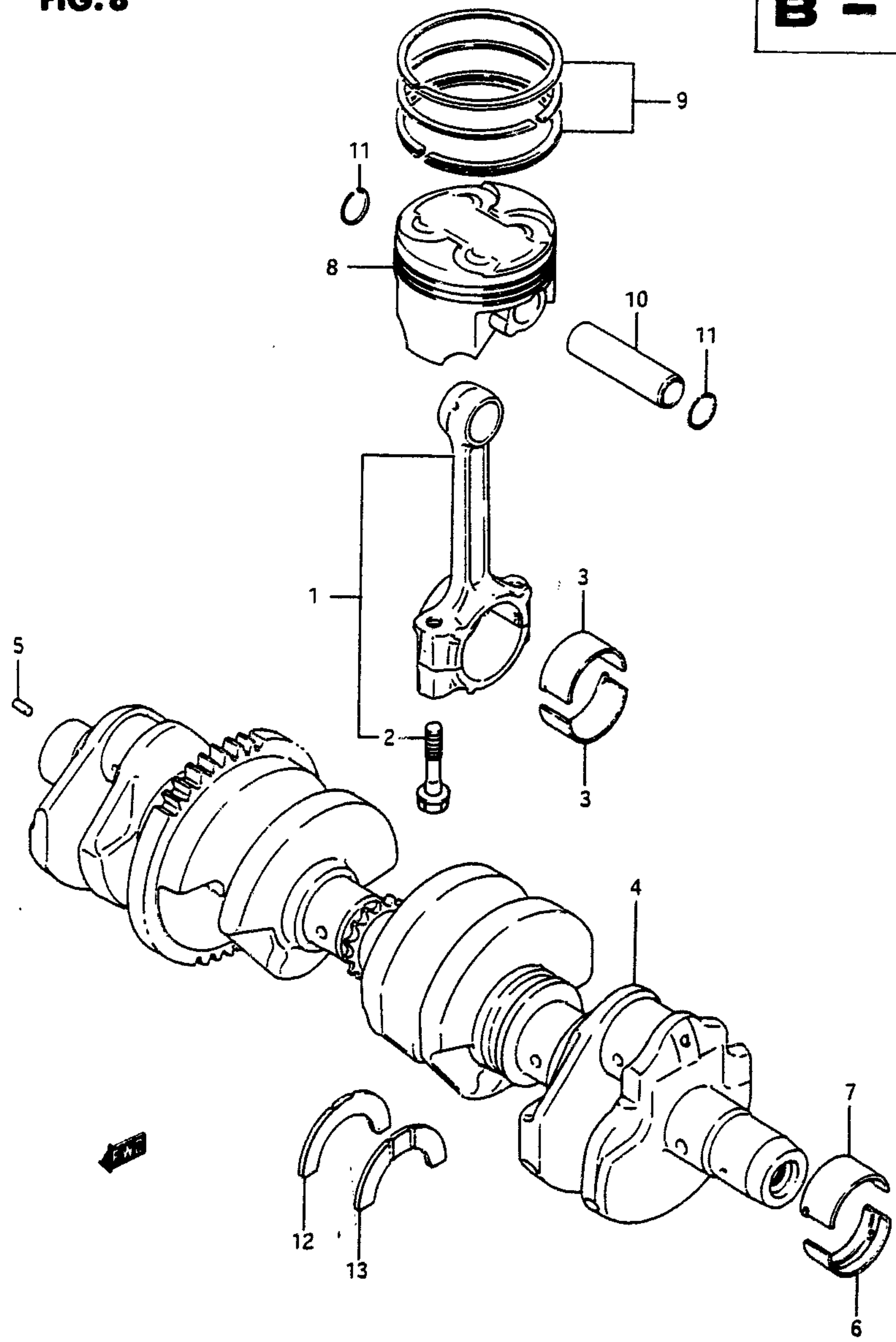


FIG.8 (B-10) CRANKSHAFT

REF.NO.	PART NO.	DESCRIPTION	Q'TY	REMARKS
1	12160-17D00	ROD ASSY, connecting	4	
2	12163-27A52	.BOLT	8	
3-1	12164-27A00-0A0	BEARING, crank pin (Green)	8	
3-2	12164-27A00-0B0	BEARING, crank pin (Black)	8	
3-3	12164-27A00-0C0	BEARING, crank pin (Brown)	8	
3-4	12164-27A00-0D0	BEARING, crank pin (Yellow)	8	
4	12220-27A04	CRANKSHAFT	1	
5	04221-04089	.PIN	1	
6-1	12229-27A00-0A0	BEARING, crankshaft (Green)	6	LOWER
6-2	12229-27A00-0B0	BEARING, crankshaft (Black)	6	
6-3	12229-27A00-0C0	BEARING, crankshaft (Brown)	6	
6-4	12229-27A00-0D0	BEARING, crankshaft (Yellow)	6	
7-1	12229-27A10-0A0	BEARING, crankshaft (Green)	6	UPPER
7-2	12229-27A10-0B0	BEARING, crankshaft (Black)	6	
7-3	12229-27A10-0C0	BEARING, crankshaft (Brown)	6	
7-4	12229-27A10-0D0	BEARING, crankshaft (Yellow)	6	
8-1	12111-17D02-0F0	PISTON	4	
8-2	12111-17D02-050	PISTON (OS:0.5)	4	OPT
8-3	12111-17D02-100	PISTON (OS:1.0)	4	OPT
9-1	12140-07D10	RING SET, piston	4	
9-2	12140-07D10-050	RING SET, piston (OS:0.5)	4	OPT
9-3	12140-07D10-100	RING SET, piston (OS:1.0)	4	OPT
10	12151-07D00	PIN, piston	4	
11	09381-18003	CIRCLIP	8	
12	12228-43414	BEARING, thrust RH (Green)	1	Included Crankcase Set
13-1	12228-43411	BEARING, thrust LH (Red)	1	Included Crankcase Set
13-2	12228-43412	BEARING, thrust LH (Black)	1	
13-3	12228-43413	BEARING, thrust LH (Blue)	1	
13-4	12228-43414	BEARING, thrust LH (Green)	1	
13-5	12228-43415	BEARING, thrust LH (Yellow)	1	
13-6	12228-43416	BEARING, thrust LH (White)	1	

GSX-R750M E28

GSX-R750M E28

AIR CLEANER...C-5	COWLING BODY...H-8	ELECTRICAL...E-6	FR MASTER CYL...G-12	MUFFLER...E-8	RR MASTER CYL...H-7	STARTING MOTOR...E-2
ALTERNATOR...E-3	COWLING FIT SET...H-11	FOOTREST...F-4	FR WHEEL...G-7	OIL COOLER...C-6	RR SWINGING ARM...H-2	STEERING DAMPER...G-5
BATTERY...E-5	CRANKCASE...B-5	FRAME...F-2	FUEL COCK...F-6	OIL PAN...C-7	RR WHEEL...H-5	STEERING STEM...G-4
CAM CHAIN...B-14	CRANKCASE COVER...B-7	FRAME COVER...F-8	FUEL TANK...F-5	OIL PUMP...B-9	SEAT...F-7	TAIL LAMP...E-10
CAM SHAFT...B-12	CRANKSHAFT...B-10	FR BRAKE HOSE...G-11	GEAR SHIFTING...D-5	OPTIONAL...H-13	SIGNAL GENERATOR...E-4	TRANSMISSION...D-3
CARBURETOR...C-2	CYLINDER...B-4	FR CALIPERS...G-10	HANDLE SWITCH...G-9	RR CALIPER...H-6	SPEEDOMETER...E-7	URNSIGNAL LAMP...E-9
CARBURETOR FIT...C-4	CYLINDER HEAD...B-3	FR DAMPER...G-2	HANDLEBAR...G-8	RR CUSHION LEVER...H-3	STAND...F-3	WIRING HARNESS...E-11
CLUTCH...D-2	CYL HEAD COVER...B-2	FR FENDER...G-6	HEADLAMP...E-8	RR FENDER...H-4	STARTER CLUTCH...B-11	

FIG. 9

B - 11

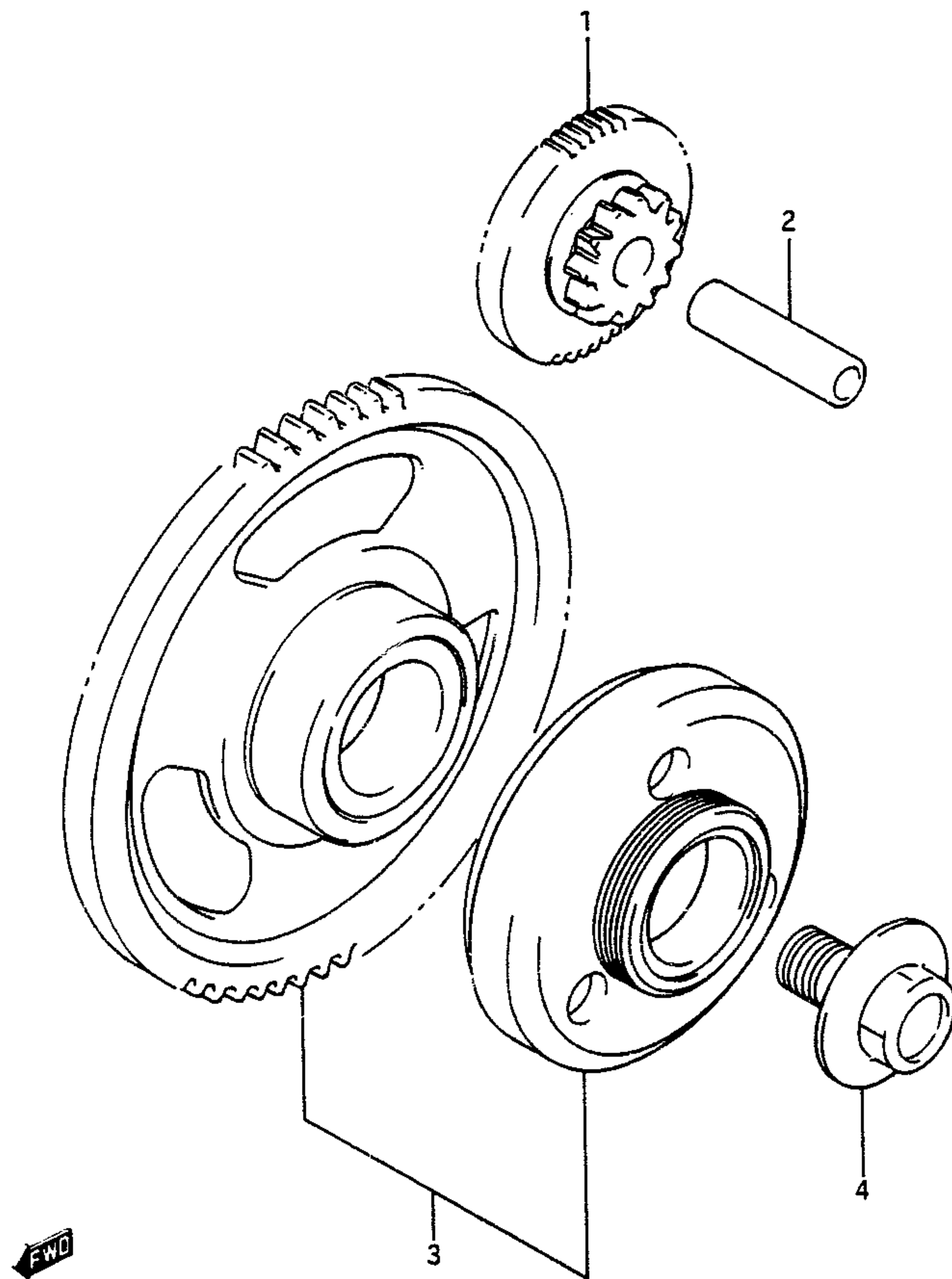
10

FIG. 9 (B-11) STARTER CLUTCH

Q'TY

REMARKS

REF.NO.	PART NO.	DESCRIPTION	Q'TY	REMARKS
1	12611-27A01	GEAR, starter idle (NT:12/52)	1	
2	09206-11014	PIN	1	
3	12600-17811	CLUTCH SET, starter	1	
4	09103-14005	BOLT	1	



GSX-R750M E28

GSX-R750M E28

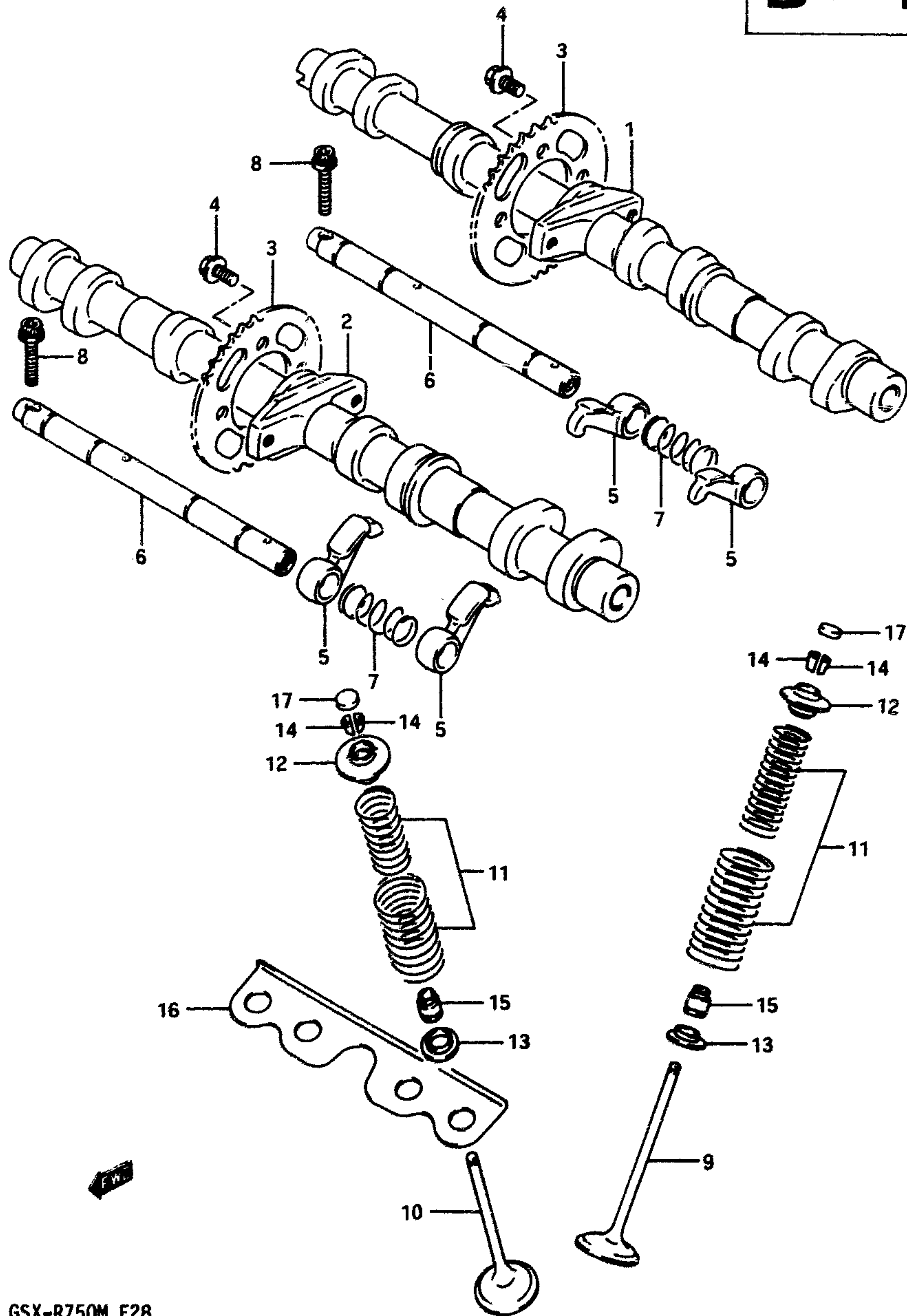
AIR CLEANER.....C-5	COWLING BODY.....H-8	ELECTRICAL.....E-6	FR MASTER CYL.G-12	MUFFLER.....E-8	RR MASTER CYL.....H-7	STARTING MOTOR..E-2
ALTERNATOR.....E-3	COWLING FIT SET.H-11	FOOTREST.....F-4	FR WHEEL.....G-7	OIL COOLER.....C-6	RR SWINGING ARM..H-2	STEERING DAMPER.G-5
BATTERY.....E-5	CRANKCASE.....B-5	FRAME.....F-2	FUEL COCK.....F-6	OIL PAN.....C-7	RR WHEEL.....H-5	STEERING STEM...G-4
CAM CHAIN.....B-14	CRANKCASE COVER.B-7	FRAME COVER...F-8	FUEL TANK.....F-5	OIL PUMP.....B-9	SEAT.....F-7	TAIL LAMP.....E-10
CAM SHAFT.....B-12	CRANKSHAFT.....B-10	FR BRAKE HOSE.G-11	GEAR SHIFTING.D-5	OPTIONAL.....H-13	SIGNAL GENERATOR.E-4	TRANSMISSION....D-3
CARBURETOR.....C-2	CYLINDER.....B-4	FR CALIPERS...G-10	HANDLE SWITCH.G-9	RR CALIPER.....H-6	SPEEDOMETER.....E-7	URNSIGNAL LAMP.E-9
CARBURETOR FIT.C-4	CYLINDER HEAD..B-3	FR DAMPER.....G-2	HANDLEBAR.....G-8	RR CUSHION LEVER.H-3	STAND.....F-3	WIRING HARNESS..E-11
CLUTCH.....D-2	CYL HEAD COVER..B-2	FR FENDER.....G-6	HEADLAMP.....E-8	RR FENDER.....H-4	STARTER CLUTCH...B-11	

FIG.10

B - 12

11

FIG.10 (B-12) CAM SHAFT / VALVE



REF.NO.	PART NO.	DESCRIPTION	Q'TY	REMARKS
1	12711-18000	CAM SHAFT, intake	1	
2	12721-18000	CAM SHAFT, exhaust	1	
3	12741-27A00	SPROCKET, cam shaft	2	
4	09103-07001	BOLT	4	
5	12841-33C01	ARM, valve locker	16	
6	12861-41C00	SHAFT, valve locker arm	4	
7	09440-14019	SPRING	8	
8	07120-06255	BOLT	4	
9	12911-18000	VALVE, intake	8	
10	12912-18000	VALVE, exhaust	8	
11	12920-41C00	SPRING SET, valve	16	
12	12931-41C00	RETAINER, valve spring	16	
13	12933-81400	SEAT, valve spring	16	
14	12932-27A00	COTTER, valve	32	
15	09289-05011	OIL SEAL	16	
16	11137-27A01	PLATE, valve seat	4	
17-1	12892-41C00-250	SHIM, tappet (T:2.50)	16	
17-2	12892-41C00-255	SHIM, tappet (T:2.55)	16	
17-3	12892-41C00-260	SHIM, tappet (T:2.60)	16	
17-4	12892-41C00-265	SHIM, tappet (T:2.65)	16	
17-5	12892-41C00-270	SHIM, tappet (T:2.70)	16	
17-6	12892-41C00-275	SHIM, tappet (T:2.75)	16	
17-7	12892-41C00-280	SHIM, tappet (T:2.80)	16	
17-8	12892-41C00-285	SHIM, tappet (T:2.85)	16	
17-9	12892-41C00-290	SHIM, tappet (T:2.90)	16	
17-10	12892-41C00-295	SHIM, tappet (T:2.95)	16	
17-11	12892-41C00-300	SHIM, tappet (T:3.00)	16	
17-12	12892-41C00-305	SHIM, tappet (T:3.05)	16	
17-13	12892-41C00-310	SHIM, tappet (T:3.10)	16	
17-14	12892-41C00-315	SHIM, tappet (T:3.15)	16	
17-15	12892-41C00-320	SHIM, tappet (T:3.20)	16	
17-16	12892-41C00-325	SHIM, tappet (T:3.25)	16	
17-17	12892-41C00-330	SHIM, tappet (T:3.30)	16	
17-18	12892-41C00-335	SHIM, tappet (T:3.35)	16	
17-19	12892-41C00-340	SHIM, tappet (T:3.40)	16	
17-20	12892-41C00-345	SHIM, tappet (T:3.45)	16	
17-21	12892-41C00-350	SHIM, tappet (T:3.50)	16	

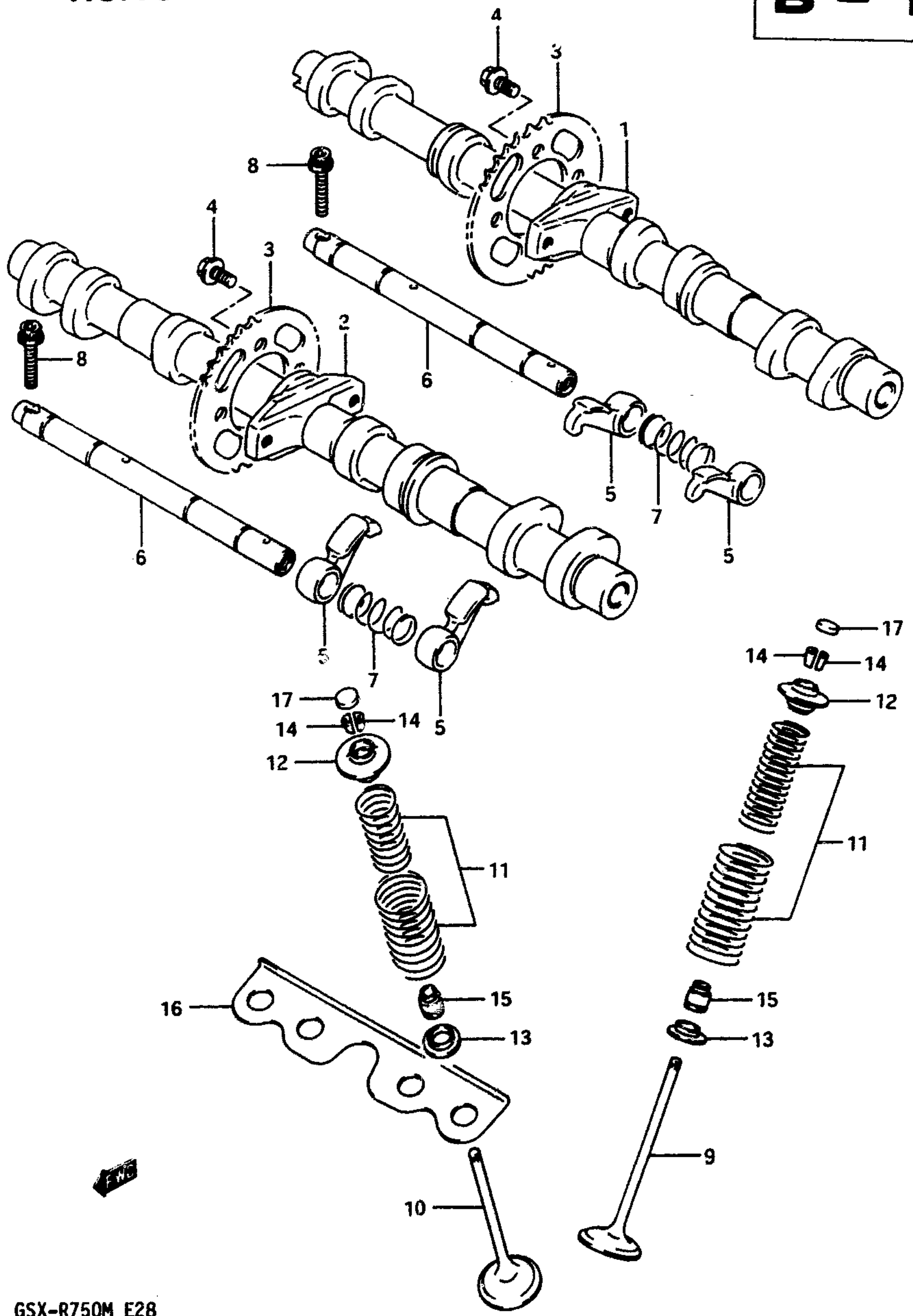
GSX-R750M E28

GSX-R750M E28

AIR CLEANER...C-5	COWLING BODY...H-8	ELECTRICAL...E-6	FR MASTER CYL...G-12	MUFFLER...E-8	RR MASTER CYL...H-7	STARTING MOTOR...E-2
ALTERNATOR...E-3	COWLING FIT SET...H-11	FOOTREST...F-4	FR WHEEL...G-7	OIL COOLER...C-6	RR SWINGING ARM...H-2	STEERING DAMPER...G-5
BATTERY...E-5	CRANKCASE...B-5	FRAME...F-2	FUEL COCK...F-6	OIL PAN...C-7	RR WHEEL...H-5	STEERING STEM...G-4
CAM CHAIN...B-14	CRANKCASE COVER...B-7	FRAME COVER...F-8	FUEL TANK...F-5	OIL PUMP...B-9	SEAT...F-7	TAIL LAMP...E-10
CAM SHAFT...B-12	CRANKSHAFT...B-10	FR BRAKE HOSE...G-11	GEAR SHIFTING...D-5	OPTIONAL...H-13	SIGNAL GENERATOR...E-4	TRANSMISSION...D-3
CARBURETOR...C-2	CYLINDER...B-4	FR CALIPERS...G-10	HANDLE SWITCH...G-9	RR CALIPER...H-6	SPEEDOMETER...E-7	TURN SIGNAL LAMP...E-9
CARBURETOR FIT...C-4	CYLINDER HEAD...B-3	FR DAMPER...G-2	HANDLEBAR...G-8	RR CUSHION LEVER...H-3	STAND...F-3	WIRING HARNESS...E-11
CLUTCH...D-2	CYL HEAD COVER...B-2	FR FENDER...G-6	HEADLAMP...E-8	RR FENDER...H-4	STARTER CLUTCH...B-11	

FIG. 10

B - 13



12

FIG.10 (B-13) CAM SHAFT / VALVE

REF.NO.	PART NO.	DESCRIPTION	Q'TY	REMARKS
18	12800-41810	SHIM SET, tappet Inc. Ref.No.17-1-17-21(5pcs. each) & No.19	1	OPT Not shown
19	99000-69471	.CASE, tappet shim	1	OPT

GSX-R750M E28

GSX-R750M E28

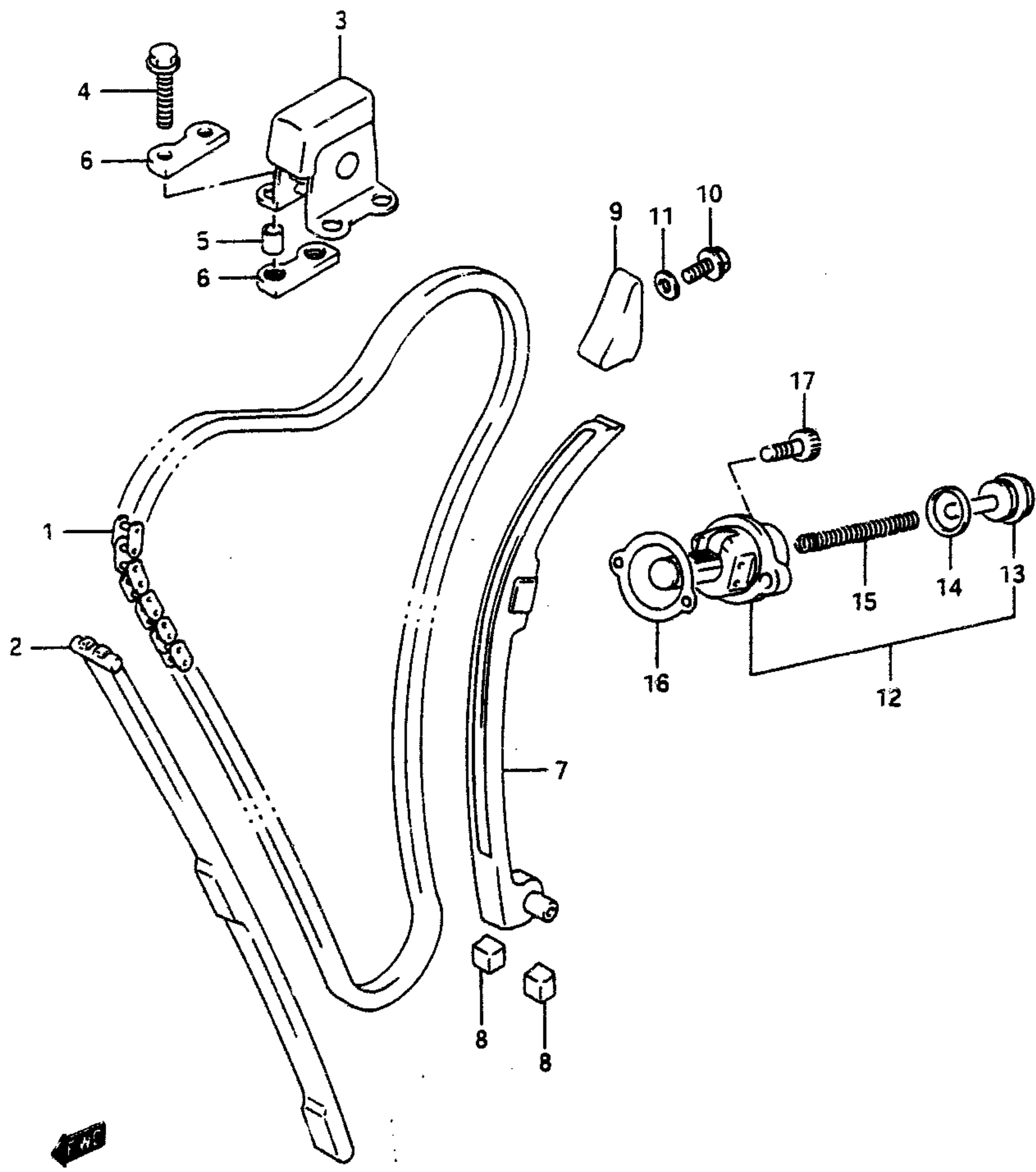
AIR CLEANER...C-5	COWLING BODY...H-8	ELECTRICAL...E-6	FR MASTER CYL...G-12	MUFFLER...E-8	RR MASTER CYL...H-7	STARTING MOTOR...E-2
ALTERNATOR...E-3	COWLING FIT SET...H-11	FOOTREST...F-4	FR WHEEL...G-7	OIL COOLER...C-6	RR SWINGING ARM...H-2	STEERING DAMPER...G-5
BATTERY...E-5	CRANKCASE...B-5	FRAME...F-2	FUEL COCK...F-6	OIL PAN...C-7	RR WHEEL...H-5	STEERING STEM...G-4
CAM CHAIN...B-14	CRANKCASE COVER...B-7	FRAME COVER...F-8	FUEL TANK...F-5	OIL PUMP...B-9	SEAT...F-7	TAIL LAMP...E-10
CAM SHAFT...B-12	CRANKSHAFT...B-10	FR BRAKE HOSE...G-11	GEAR SHIFTING...D-5	OPTIONAL...H-13	SIGNAL GENERATOR...E-4	TRANSMISSION...D-3
CARBURETOR...C-2	CYLINDER...B-4	FR CALIPERS...G-10	HANDLE SWITCH...G-9	RR CALIPER...H-6	SPEEDOMETER...E-7	TURNSIGNAL LAMP...E-9
CARBURETOR FIT...C-4	CYLINDER HEAD...B-3	FR DAMPER...G-2	HANDLEBAR...G-8	RR CUSHION LEVER...H-3	STAND...F-3	WIRING HARNESS...E-11
CLUTCH...D-2	CYL HEAD COVER...B-2	FR FENDER...G-6	HEADLAMP...E-8	RR FENDER...H-4	STARTER CLUTCH...B-11	

FIG.11

B - 14

13

FIG.11 (B-14) CAM CHAIN

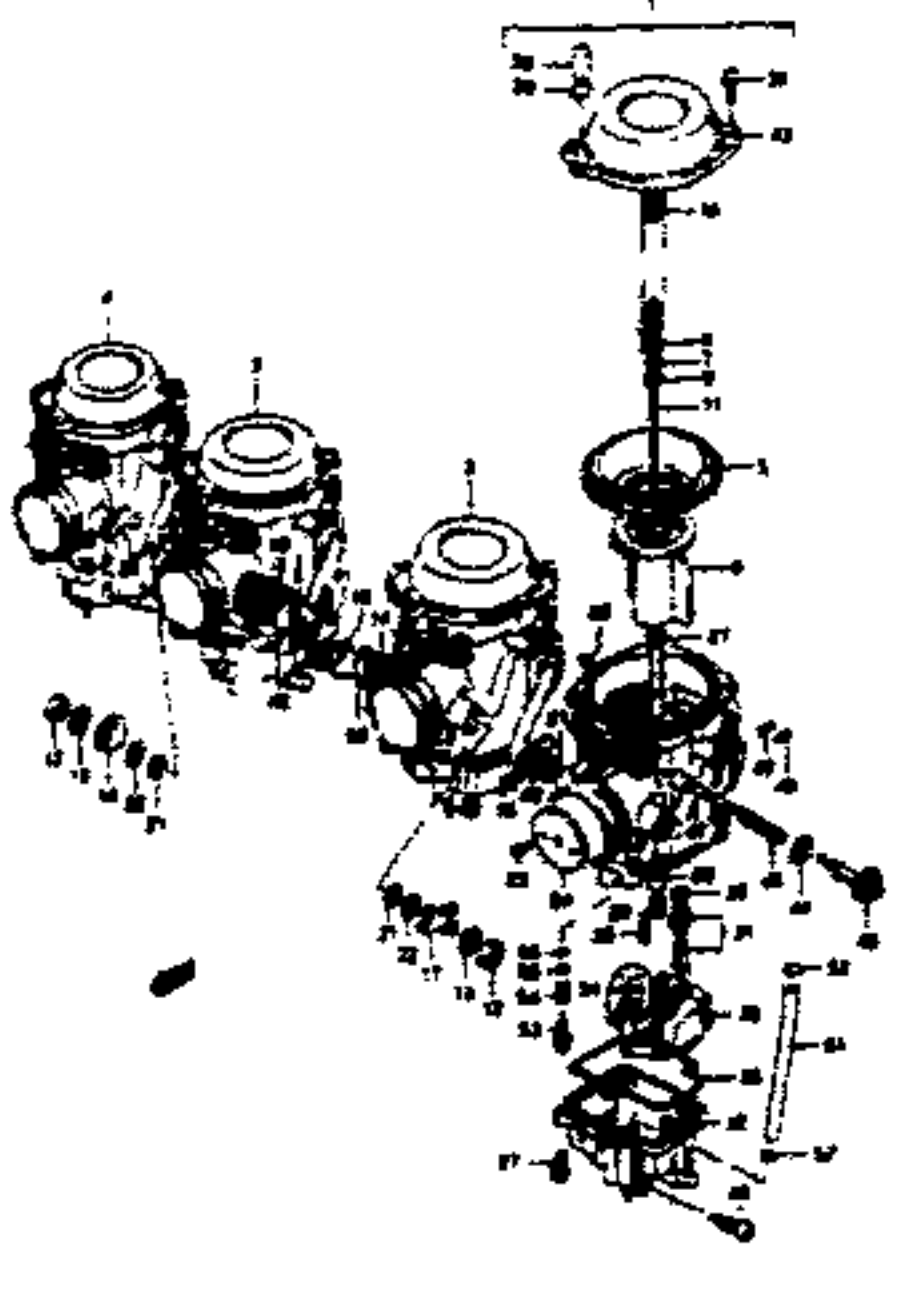
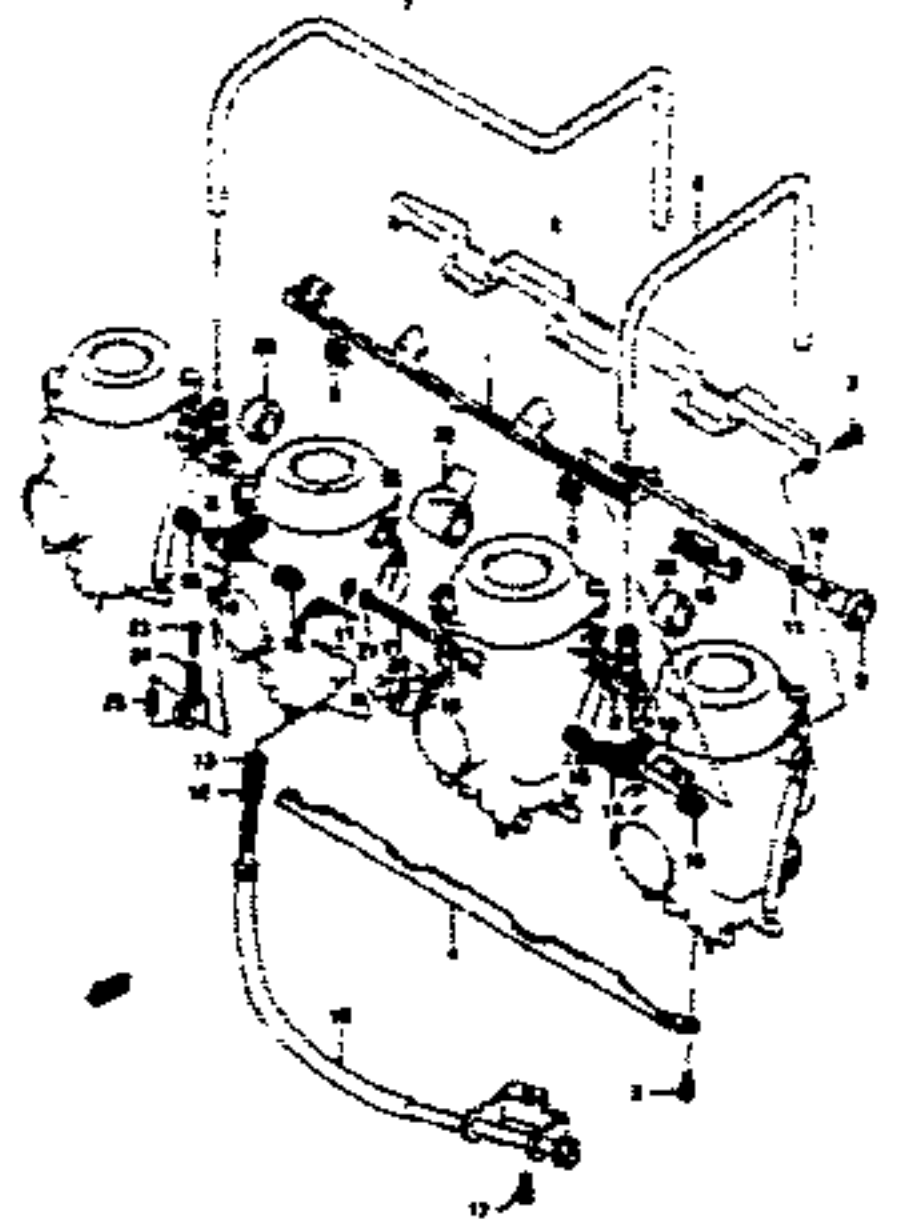
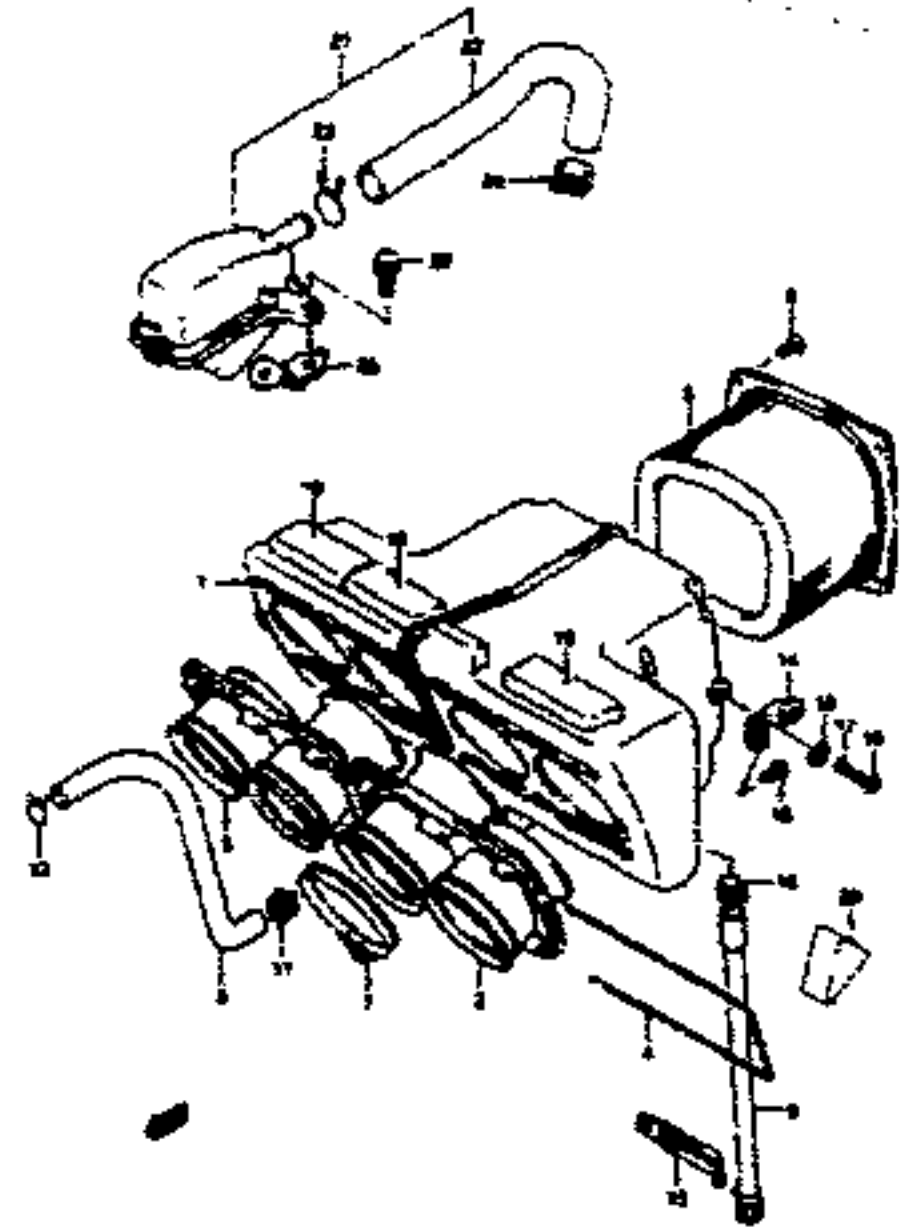
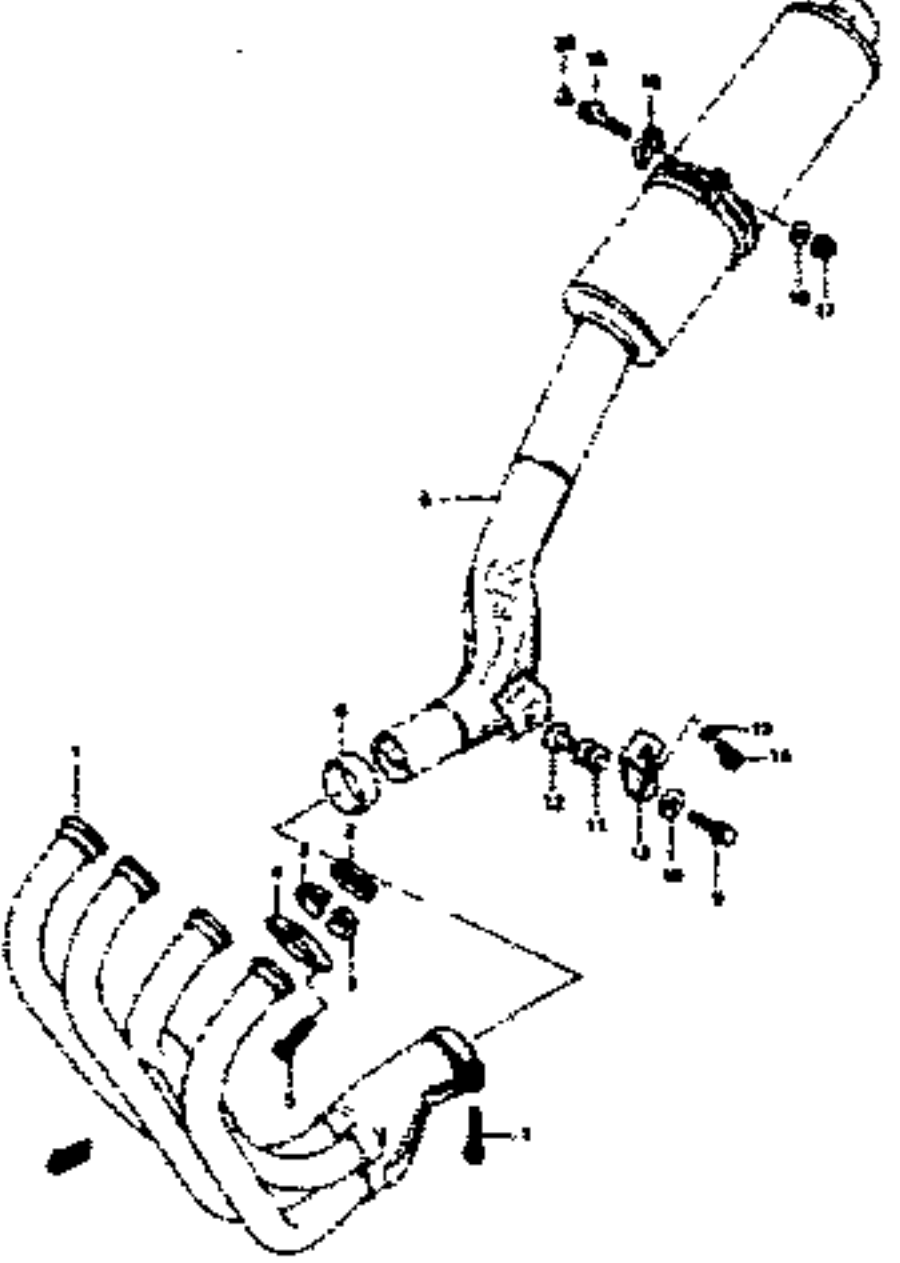
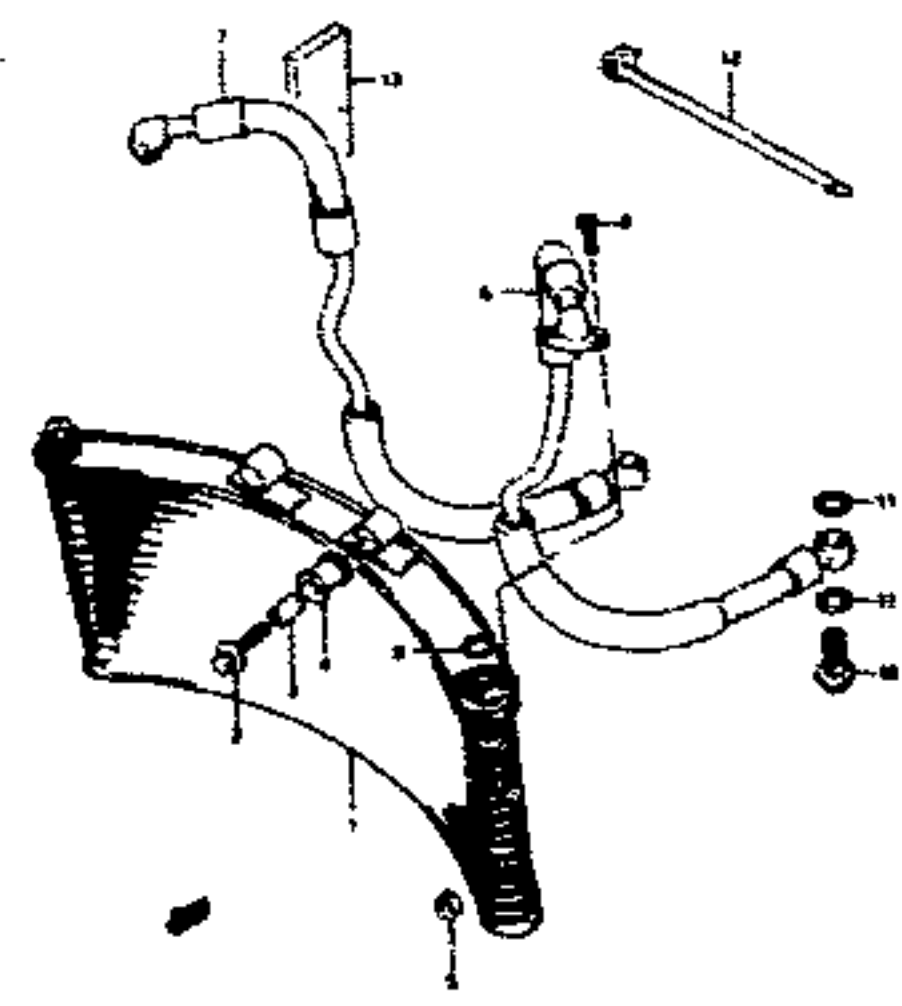


REF.NO.	PART NO.	DESCRIPTION	Q'TY	REMARKS
1	12760-17D00	CHAIN, cam shaft drive	1	
2	12771-27A00	GUIDE, cam chain No.1	1	
3	12780-27A03	IDLER, cam chain	1	
4	01517-06257	BOLT	4	
5	09180-06143	SPACER, cushion	4	
6	12788-48B01	CUSHION	4	
7	12810-27A00	TENSIONER, cam chain	1	
8	12814-34200	CUSHION	2	
9	12791-27A00	GUIDE, cam chain No.2	1	
10	01517-06105	BOLT	1	
11	09168-06023	WASHER	1	
12	12830-27A06	ADJUSTER ASSY, tensioner	1	
13	12834-27A00	.PLUG	1	
14	12832-27A00	.GASKET	1	
15	12833-27A00	.SPRING	1	
16	12837-27A00-H17	GASKET, adjuster	1	
17	07110-06255	BOLT	2	

GSX-R750M E28

GSX-R750M E28

AIR CLEANER... C-5	COWLING BODY... H-8	ELECTRICAL... E-6	FR MASTER CYL... G-12	MUFFLER... E-8	RR MASTER CYL... H-7	STARTING MOTOR... E-2
ALTERNATOR... E-3	COWLING FIT SET... H-11	FOOTREST... F-4	FR WHEEL... G-7	OIL COOLER... C-6	RR SWINGING ARM... H-2	STEERING DAMPER... G-5
BATTERY... E-5	CRANKCASE... B-5	FRAME... F-2	FUEL COCK... F-6	OIL PAN... C-7	RR WHEEL... H-5	STEERING STEM... G-4
CAM CHAIN... B-14	CRANKCASE COVER... B-7	FRAME COVER... F-8	FUEL TANK... F-5	OIL PUMP... B-9	SEAT... F-7	TAIL LAMP... E-10
CAM SHAFT... B-12	CRANKSHAFT... B-10	FR BRAKE HOSE... G-11	GEAR SHIFTING... D-5	OPTIONAL... H-13	SIGNAL GENERATOR... E-4	TRANSMISSION... D-3
CARBURETOR... C-2	CYLINDER... B-4	FR CALIPERS... G-10	HANDLE SWITCH... G-9	RR CALIPER... H-6	SPEEDOMETER... E-7	TURNSIGNAL LAMP... E-9
CARBURETOR FIT... C-4	CYLINDER HEAD... B-3	FR DAMPER... G-2	HANDLEBAR... G-8	RR CUSHION LEVER... H-3	STAND... F-3	WIRING HARNESS... E-11
CLUTCH... D-2	CYL HEAD COVER... B-2	FR FENDER... G-6	HEADLAMP... E-8	RR FENDER... H-4	STARTER CLUTCH... B-11	

CARBURETOR	C-2 CARBURETOR FITTINGS	C-4 AIR CLEANER	C-5 MUFFLER	C-6 OIL COOLER	C-7
					

AIR CLEANER...C-5	COWLING BODY...H-8	ELECTRICAL...E-6	FR MASTER CYL...G-12	MUFFLER...E-8	RR MASTER CYL...H-7	STARTING MOTOR...E-2
ALTERNATOR...E-3	COWLING FIT SET...H-11	FOOTREST...F-4	FR WHEEL...G-7	OIL COOLER...C-6	RR SWINGING ARM...H-2	STEERING DAMPER...G-5
BATTERY...E-5	CRANKCASE...B-5	FRAME...F-2	FUEL COCK...F-6	OIL PAN...C-7	RR WHEEL...H-5	STEERING STEM...G-4
CAM CHAIN...B-14	CRANKCASE COVER...B-7	FRAME COVER...F-8	FUEL TANK...F-5	OIL PUMP...B-9	SEAT...F-7	TAIL LAMP...E-10
CAM SHAFT...B-12	CRANKSHAFT...B-10	FR BRAKE HOSE...G-11	GEAR SHIFTING...D-5	OPTIONAL...H-13	SIGNAL GENERATOR...E-4	TRANSMISSION...D-3
CARBURETOR...C-2	CYLINDER...B-4	FR CALIPERS...G-10	HANDLE SWITCH...G-9	RR CALIPER...H-6	SPEEDOMETER...E-7	TURN SIGNAL LAMP...E-9
CARBURETOR FIT...C-4	CYLINDER HEAD...B-3	FR DAMPER...G-2	HANDLEBAR...G-8	RR CUSHION LEVER...H-3	STAND...F-3	WIRING HARNESS...E-11
CLUTCH...D-2	CYL HEAD COVER...B-2	FR FENDER...G-6	HEADLAMP...E-8	RR FENDER...H-4	STARTER CLUTCH...B-11	

FIG.12

C - 2

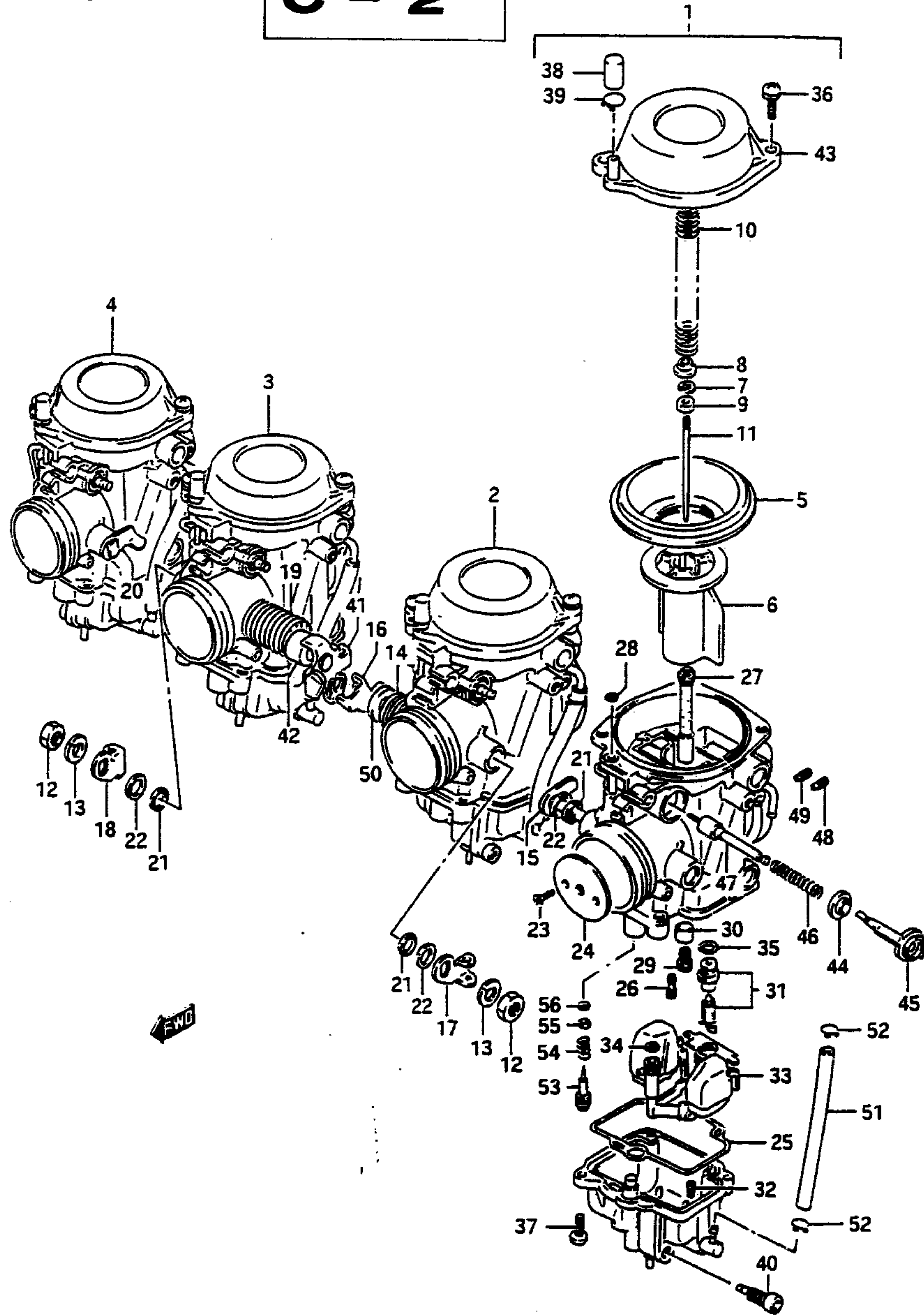


FIG.12 (C- 2) CARBURETOR

REF.NO.	PART NO.	DESCRIPTION	Q'TY	REMARKS
1	13201-18000	CARBURETOR ASSY, LH	1	
2	13202-18000	CARBURETOR ASSY, ML	1	
3	13203-18000	CARBURETOR ASSY, MR	1	
4	13204-18000	CARBURETOR ASSY, RH	1	
5	13507-07000	.DIAPHRAGM	4	
6	13501-17000	.VALVE, piston	4	
7	13394-31210	.E RING	4	
8	13382-17000	.RING	4	
9	13387-17000	.RING	4	
10	13417-17000	.SPRING	4	
11	13383-17000	.NEEDLE, jet (6ZD7-3)	4	
12	08310-22086	.NUT	2	ML,MR
13	08321-31086	.LOCK WASHER	2	ML,MR
14	13573-07000	.SPRING	1	ML
15	13550-17000	.SHAFT ASSY	1	LH
16	13550-17D10	.SHAFT ASSY	1	ML
17	13553-17C00	.LEVER	1	ML
18	13553-44800	.LEVER	1	MR
19	13573-07D10	.SPRING	1	MR
20	13550-17D30	.SHAFT ASSY	1	RH
21	13556-44800	.SEAL	6	LH,RH:1,ML:MR:2
22	13557-47070	.WASHER	4	
23	13604-07000	.SCREW	8	
24	13551-17000	.VALVE, throttle (130)	4	
25	13258-44800	.GASKET, float chamber	4	
26	09492-35010	.JET, pilot (37.5)	4	
27	09494-00675	.JET, needle (0-8)	4	
28	13278-02340	.O RING	4	
29	09491-23017	.JET, main (117.5)	4	
30	13331-07000	.RING	4	
31	13370-07000	.VALVE ASSY, needle	4	
32	09492-00001	.JET (0)	4	
33	13240-07000	.FLOAT ASSY	4	
34	13374-46710	.O RING	4	
35	13374-44080	.O RING	4	

GSX-R750M E28

GSX-R750M E28

AIR CLEANER...C-5	COWLING BODY...H-8	ELECTRICAL...E-6	FR MASTER CYL...G-12	MUFFLER...E-8	RR MASTER CYL...H-7	STARTING MOTOR...E-2
ALTERNATOR...E-3	COWLING FIT SET...H-11	FOOTREST...F-4	FR WHEEL...G-7	OIL COOLER...C-6	RR SWINGING ARM...H-2	STEERING DAMPER...G-5
BATTERY...E-5	CRANKCASE...B-5	FRAME...F-2	FUEL COCK...F-6	OIL PAN...C-7	RR WHEEL...H-5	STEERING STEM...G-4
CAM CHAIN...B-14	CRANKCASE COVER...B-7	FRAME COVER...F-8	FUEL TANK...F-5	OIL PUMP...B-9	SEAT...F-7	TAIL LAMP...E-10
CAM SHAFT...B-12	CRANKSHAFT...B-10	FR BRAKE HOSE...G-11	GEAR SHIFTING...D-5	OPTIONAL...H-13	SIGNAL GENERATOR...E-4	TRANSMISSION...D-3
CARBURETOR...C-2	CYLINDER...B-4	FR CALIPERS...G-10	HANDLE SWITCH...G-9	RR CALIPER...H-6	SPEEDOMETER...E-7	TURN SIGNAL LAMP...E-9
CARBURETOR FIT...C-4	CYLINDER HEAD...B-3	FR DAMPER...G-2	HANDLEBAR...G-8	RR CUSHION LEVER...H-3	STAND...F-3	WIRING HARNESS...E-11
CLUTCH...D-2	CYL HEAD COVER...B-2	FR FENDER...G-6	HEADLAMP...E-8	RR FENDER...H-4	STARTER CLUTCH...B-11	

FIG.12

C - 3

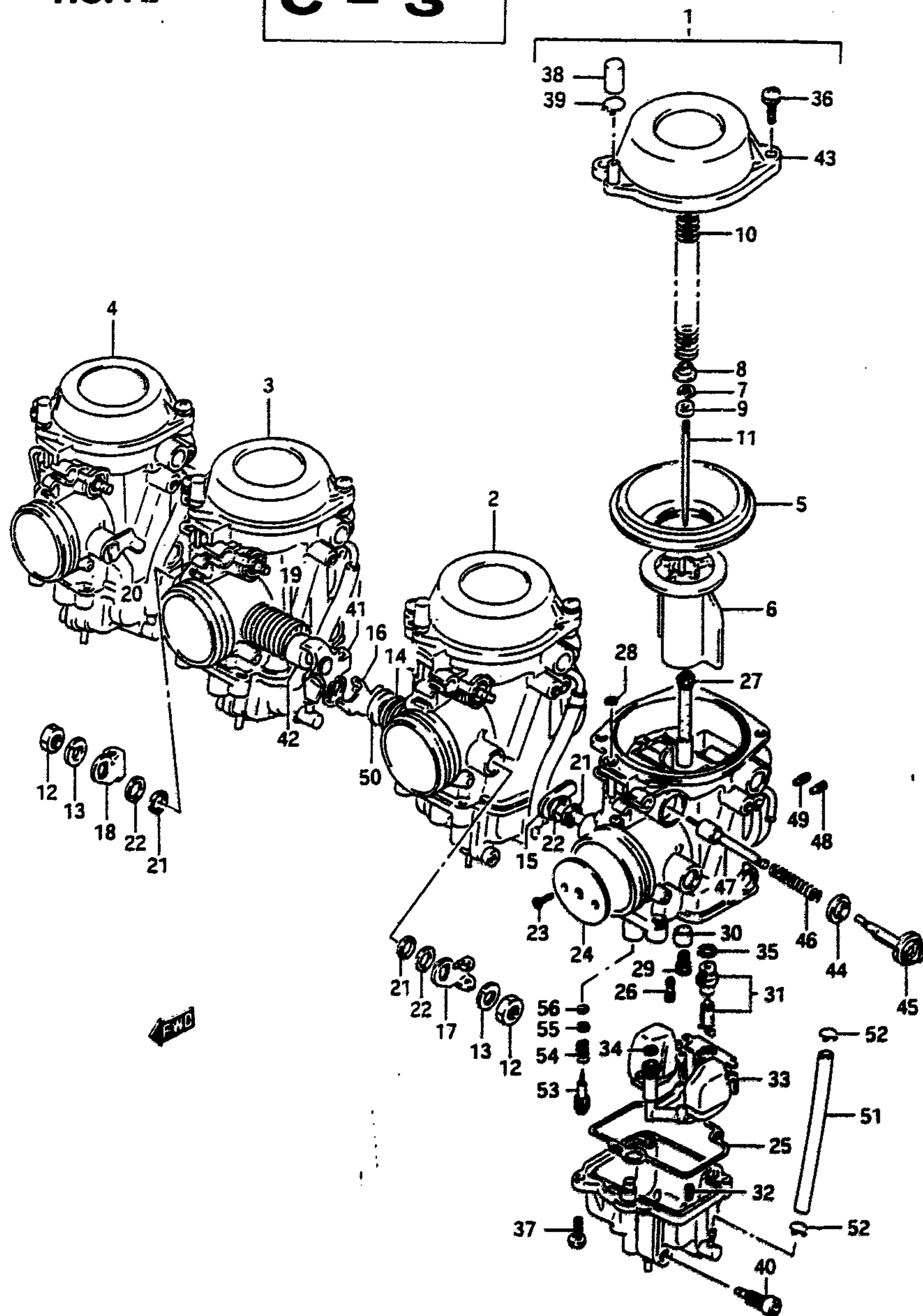


FIG.12 (C- 3) CARBURETOR

REF.NO.	PART NO.	DESCRIPTION	Q'TY	REMARKS
36	13602-34390	.SCREW	8	
37	02112-05166	.SCREW	8	
38	13508-17C00	.CAP	4	
39	13671-33600	.CLIP	4	
40	13247-02340	.SCREW, drain	4	
41	13550-17D20	.SHAFT ASSY	1	MR
42	13557-05A20	.RING	1	MR
43	13502-17D00	.COVER, diaphragm	4	
44	13418-17C00	.CAP, starter	4	
45	13418-17C10	.HOLDER	4	
46	13417-09110	.SPRING	4	
47	13411-05320	.PLUNGER ASSY	4	
48	09493-00001	.JET, main air (0)	4	
49	09493-24007	.JET, pilot air (1.2)	4	
50	13557-07D00	.RING	1	ML
51	13683-18000	.HOSE	4	
52	13671-12C00	.CLIP	8	
53	13279-47070	.SCREW, air (1 1/8)	4	
54	13268-47070	.SPRING	4	
55	13291-29900	.WASHER	4	
56	13295-29900	.O RING	4	

GSX-R750M E28

GSX-R750M E28

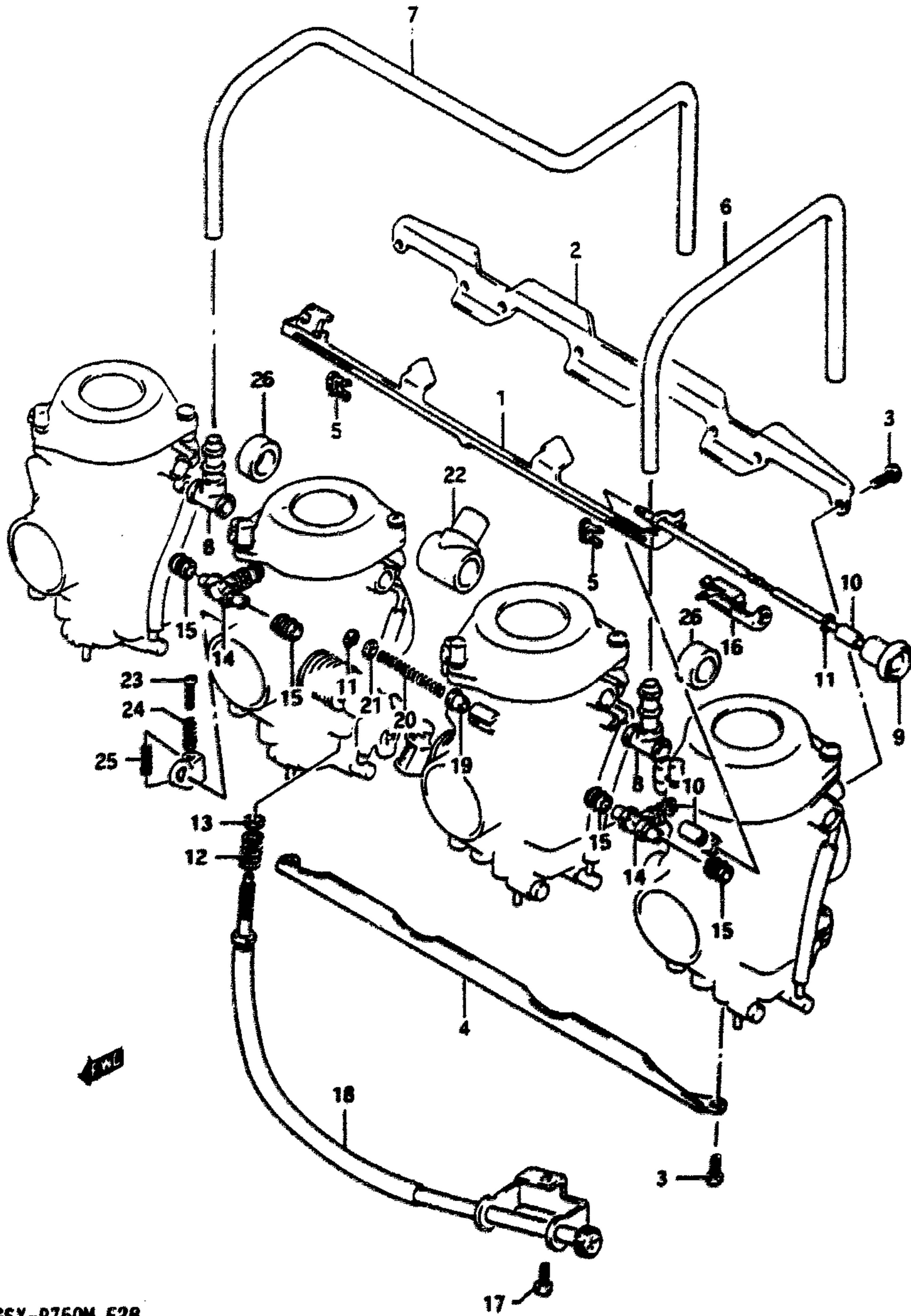
AIR CLEANER.....C-5	COWLING BODY.....H-8	ELECTRICAL.....E-6	FR MASTER CYL.....G-12	MUFFLER.....E-8	FR MASTER CYL.....H-7	STARTING MOTOR...E-2
ALTERNATOR.....E-3	COWLING FIT SET...H-11	FOOTREST.....F-4	FR WHEEL.....G-7	OIL COOLER.....C-6	RR SWINGING ARM...H-2	STEERING DAMPER...G-5
BATTERY.....E-5	CRANKCASE.....B-5	FRAME.....F-2	FUEL COCK.....F-6	OIL PAN.....C-7	RR WHEEL.....H-5	STEERING STEM...G-4
CAM CHAIN.....B-14	CRANKCASE COVER...B-7	FRAME COVER...F-8	FUEL TANK.....F-5	OIL PUMP.....B-9	SEAT.....F-7	TAIL LAMP.....E-10
CAM SHAFT.....B-12	CRANKSHAFT.....B-10	FR BRAKE HOSE...G-11	GEAR SHIFTING...D-5	OPTIONAL.....H-13	SIGNAL GENERATOR...E-4	TRANSMISSION....D-3
CARBURETOR.....C-2	CYLINDER.....B-4	FR CALIPERS...G-10	HANDLE SWITCH...G-9	RR CALIPER.....H-6	SPEEDOMETER.....E-7	URNSIGNAL LAMP...E-9
CARBURETOR FIT...C-4	CYLINDER HEAD...B-3	FR DAMPER.....G-2	HANDLEBAR.....G-8	RR CUSHION LEVER...H-3	STAND.....F-3	WIRING HARNESS...E-11
CLUTCH.....D-2	CYL HEAD COVER...B-2	FR FENDER.....G-6	HEADLAMP.....E-8	RR FENDER.....H-4	STARTER CLUTCH...B-11	

FIG. 13

C - 4

16

FIG. 13 (C- 4) CARBURETOR FITTINGS



REF.NO.	PART NO.	DESCRIPTION	Q'TY	REMARKS
1	13413-17C00	LEVER, starter	1	
2	13628-07D00	PLATE	1	
3	02112-05128	SCREW	16	
4	13628-17C00	PLATE	1	
5	13439-17C00	HOLDER	2	
6	13683-41C00	HOSE	1	
7	13683-41C10	HOSE	1	
8	13684-20C10	HOSE	2	
9	13410-17C00	SHAFT, starter	1	
10	13432-17C00	RING	2	
11	13415-38300	E RING	2	
12	13375-60A00	SPRING	1	
13	13427-38300	WASHER	1	
14	13685-44B00	NIPPLE	2	
15	13673-44B00	SEAL	4	
16	13421-17C00	PLATE, spring	1	
17	13602-05108	SCREW	1	
18	13279-41C00	ADJUSTER	1	
19	13557-05A10	RING	1	
20	13417-09210	SPRING	1	
21	13606-02340	WASHER	1	
22	13680-17D00	HOSE ASSY	1	
23	13267-44B00	SCREW	3	
24	13271-44B00	SPRING	3	
25	13268-17C10	SPRING	3	
26	13683-17D00	HOSE	2	

GSX-R750M E2B

GSX-R750M E2B

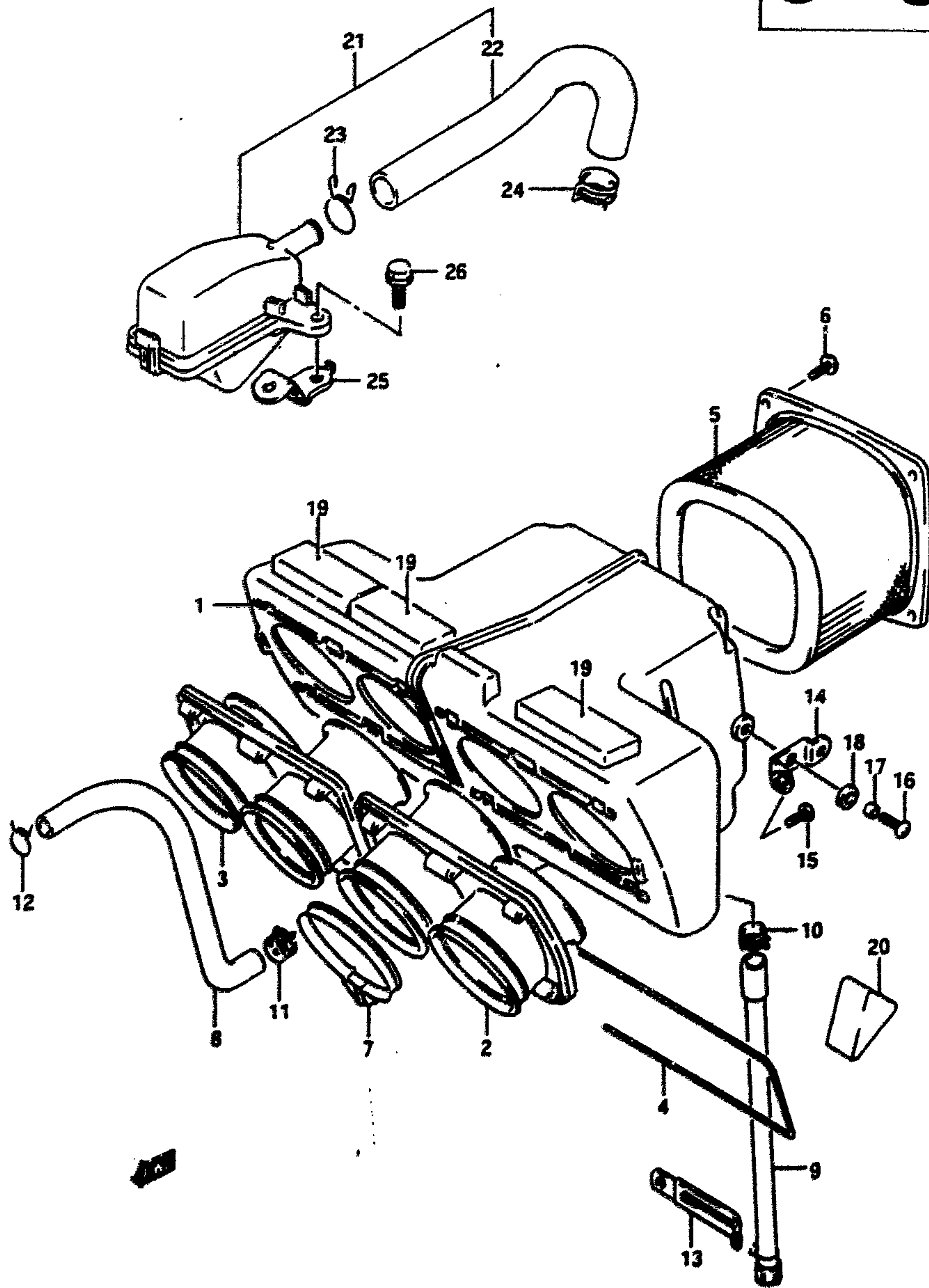
AIR CLEANER...C-5	COWLING BODY...H-8	ELECTRICAL...E-6	FR MASTER CYL...G-12	MUFFLER...E-8	RR MASTER CYL...H-7	STARTING MOTOR...E-2
ALTERNATOR...E-3	COWLING FIT SET...H-11	FOOTREST...F-4	FR WHEEL...G-7	OIL COOLER...C-6	RR SWINGING ARM...H-2	STEERING DAMPER...G-5
BATTERY...E-5	CRANKCASE...B-5	FRAME...F-2	FUEL COCK...F-6	OIL PAN...C-7	RR WHEEL...H-5	STEERING STEM...G-4
CAM CHAIN...B-14	CRANKCASE COVER...B-7	FRAME COVER...F-8	FUEL TANK...F-5	OIL PUMP...B-9	SEAT...F-7	TAIL LAMP...E-10
CAM SHAFT...B-12	CRANKSHAFT...B-10	FR BRAKE HOSE...G-11	GEAR SHIFTING...D-5	OPTIONAL...H-13	SIGNAL GENERATOR...E-4	TRANSMISSION...D-3
CARBURETOR...C-2	CYLINDER...B-4	FR CALIPERS...G-10	HANDLE SWITCH...G-9	RR CALIPER...H-6	SPEEDOMETER...E-7	TURN SIGNAL LAMP...E-9
CARBURETOR FIT...C-4	CYLINDER HEAD...B-3	FR DAMPER...G-2	HANDLEBAR...G-8	RR CUSHION LEVER...H-3	STAND...F-3	WIRING HARNESS...E-11
CLUTCH...D-2	CYL HEAD COVER...B-2	FR FENDER...G-6	HEADLAMP...E-8	RR FENDER...H-4	STARTER CLUTCH...B-11	

FIG. 14

C - 5

17

FIG.14 (C- 5) AIR CLEANER



REF.NO.	PART NO.	DESCRIPTION	Q'TY	REMARKS
1	13720-07000	CASE, air cleaner	1	
2	13880-07000	TUBE, outlet LH	1	
3	13890-07000	TUBE, outlet RH	1	
4	13899-17C01	SHAFT, outlet tube	2	
5	13780-17C00	FILTER ASSY	1	
6	02142-05164	SCREW	4	
7	09402-64205	CLAMP	4	
8	13854-17C01	TUBE, breather	1	
9	13870-41C00	TUBE, drain	1	
10	09401-13406	CLIP	1	
11	09401-14401	CLIP	1	
12	09401-16402	CLIP	1	
13	09404-10404	CLAMP, drain tube	1	
14	13760-17C01	BRACKET, CLEANER CASE	2	
15	02142-06166	SCREW	2	
16	09125-06029	SCREW (6x18)	2	
17	09180-06073	SPACER	2	
18	09161-09003	CUSHION	2	
19	13848-17C00	CUSHION, case	3	
20	13897-17C00	CUSHION, air vent hose, No.1	1	
21	13700-17D10	CLEANER ASSY, 2nd air	1	
22	13853-17D10	.TUBE, 2nd air cleaner	1	
23	13824-17D10	.CLIP	1	
24	13826-17D10	.CLAMP	1	
25	13760-17D10	BRACKET, 2nd air cleaner	1	
26	01517-06164	BOLT	1	

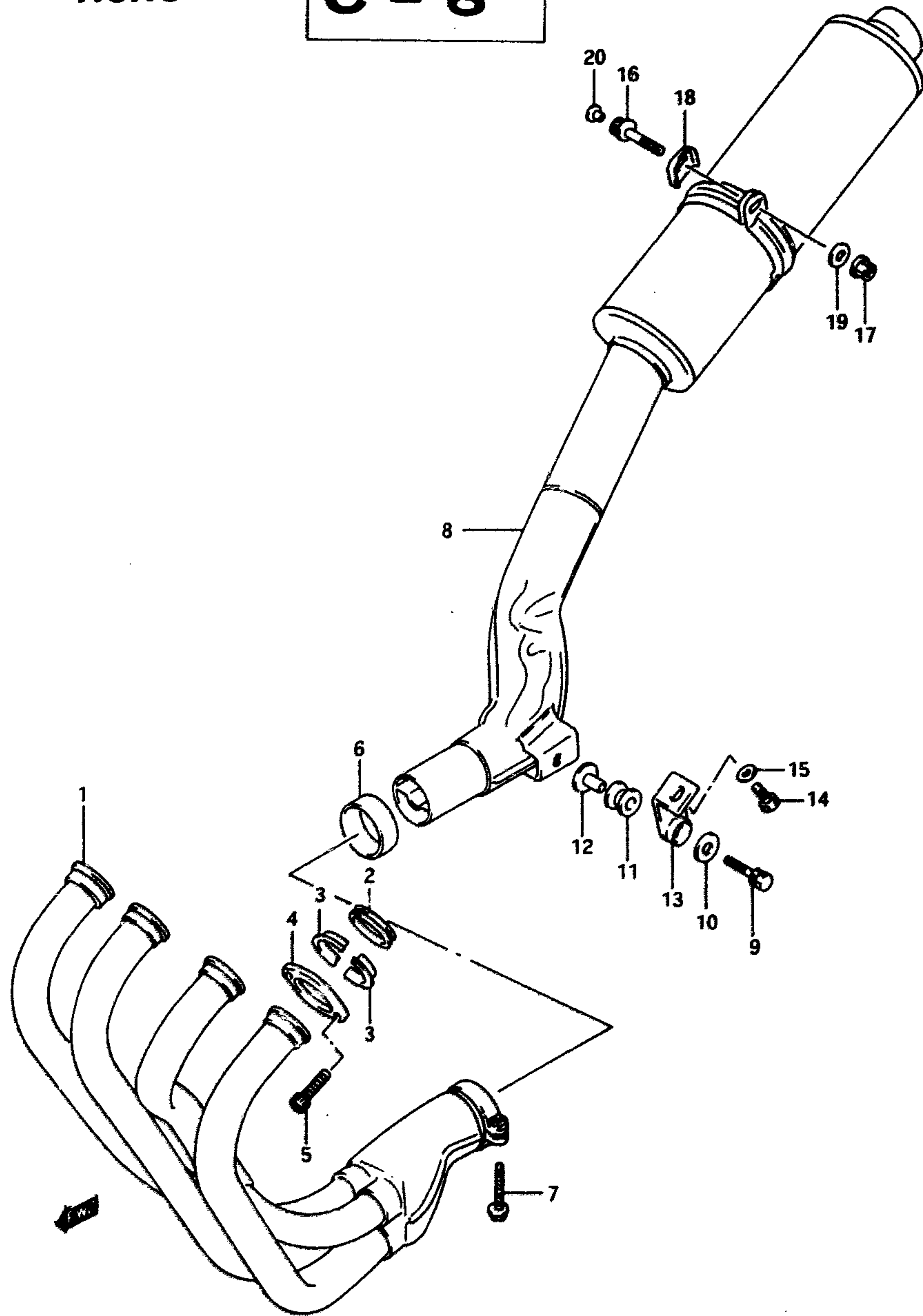
GSX-R750M E2B

GSX-R750M E2B

AIR CLEANER...C-5	COWLING BODY...H-8	ELECTRICAL...E-6	FR MASTER CYL...G-12	MUFFLER...E-8	RR MASTER CYL...H-7	STARTING MOTOR...E-2
ALTERNATOR...E-3	COWLING FIT SET...H-11	FOOTREST...F-4	FR WHEEL...G-7	OIL COOLER...C-6	RR SWINGING ARM...H-2	STEERING DAMPER...G-5
BATTERY...E-5	CRANKCASE...B-5	FRAME...F-2	FUEL COCK...F-6	OIL PAN...C-7	RR WHEEL...H-5	STEERING STEM...G-4
CAM CHAIN...B-14	CRANKCASE COVER...B-7	FRAME COVER...F-8	FUEL TANK...F-5	OIL PUMP...B-9	SEAT...F-7	TAIL LAMP...E-10
CAM SHAFT...B-12	CRANKSHAFT...B-10	FR BRAKE HOSE...G-11	GEAR SHIFTING...D-5	OPTIONAL...H-13	SIGNAL GENERATOR...E-4	TRANSMISSION...D-3
CARBURETOR...C-2	CYLINDER...B-4	FR CALIPERS...G-10	HANDLE SWITCH...G-9	RR CALIPER...H-6	SPEEDOMETER...E-7	TURN SIGNAL LAMP...E-9
CARBURETOR FIT...C-4	CYLINDER HEAD...B-3	FR DAMPER...G-2	HANDLEBAR...G-8	RR CUSHION LEVER...H-3	STAND...F-3	WIRING HARNESS...E-11
CLUTCH...D-2	CYL HEAD COVER...B-2	FR FENDER...G-6	HEADLAMP...E-8	RR FENDER...H-4	STARTER CLUTCH...B-11	

FIG.15

C - 6



18

FIG.15 (C- 6) MUFFLER

REF.NO.	PART NO.	DESCRIPTION	Q'TY	REMARKS
1	14100-17D50-H01	EXHAUST ASSY	1	
2	14181-18C00	GASKET, exhaust pipe	4	
3	14155-27A00	PLATE, exhaust pipe	8	
4	14182-27A00	CLAMP, exhaust pipe	4	
5	07110-08255	BOLT	8	
6	14771-07D00	CONNECTOR, muffler	1	
7	01517-08457	BOLT	1	
8	14305-17D10	BODY, muffler	1	
9	09117-08026	BOLT	1	
10	09160-08069	WASHER (8.5x29x3.2)	1	
11	09320-12038	CUSHION	1	
12	09180-08157	SPACER	1	
13	14770-07D01	DAMPER, front	1	
14	09100-08240	BOLT	1	
15	08322-11084	WASHER	1	
16	07120-10407	BOLT	1	
17	08316-16105	NUT	1	
18	14412-17D00	WASHER, muffler support	1	
19	09160-10066	WASHER (10.5x24x2.3)	1	
20	09250-08012	CAP, bolt	1	

GSX-R750M E28

GSX-R750M E28

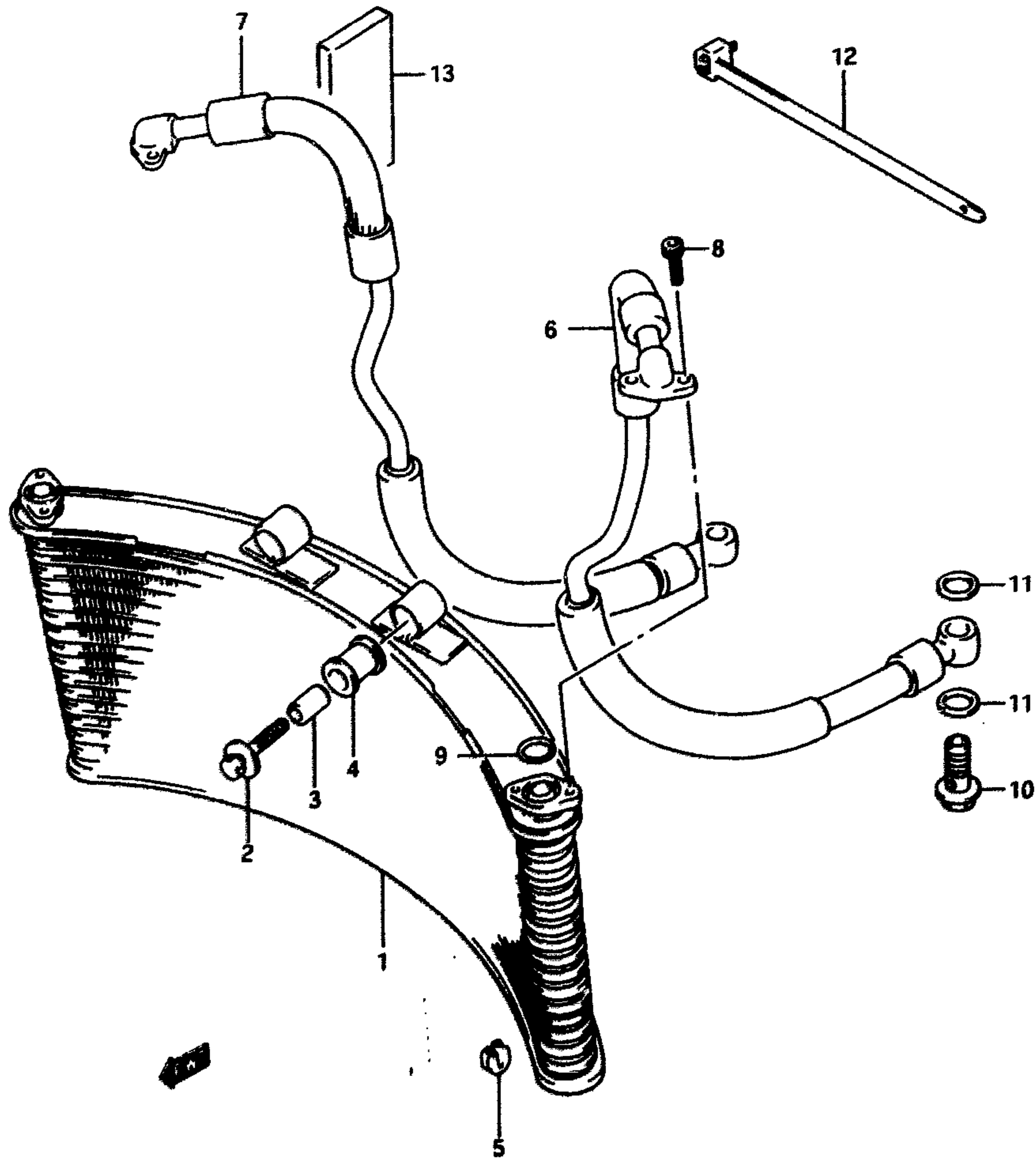
AIR CLEANER.....C-5	COWLING BODY.....H-8	ELECTRICAL.....E-6	FR MASTER CYL.....G-12	MUFFLER.....E-8	RR MASTER CYL.....H-7	STARTING MOTOR.....E-2
ALTERNATOR.....E-3	COWLING FIT SET.....H-11	FOOTREST.....F-4	FR WHEEL.....G-7	OIL COOLER.....C-6	RR SWINGING ARM.....H-2	STEERING DAMPER.....G-5
BATTERY.....E-5	CRANKCASE.....B-5	FRAME.....F-2	FUEL COCK.....F-6	OIL PAN.....C-7	RR WHEEL.....H-5	STEERING STEM.....G-4
CAM CHAIN.....B-14	CRANKCASE COVER.....B-7	FRAME COVER.....F-8	FUEL TANK.....F-5	OIL PUMP.....B-9	SEAT.....F-7	TAIL LAMP.....E-10
CAM SHAFT.....B-12	CRANKSHAFT.....B-10	FR BRAKE HOSE.....G-11	GEAR SHIFTING.....D-5	OPTIONAL.....H-13	SIGNAL GENERATOR.....E-4	TRANSMISSION.....D-3
CARBURETOR.....C-2	CYLINDER.....B-4	FR CALIPERS.....G-10	HANDLE SWITCH.....G-9	RR CALIPER.....H-6	SPEEDOMETER.....E-7	TURN SIGNAL LAMP.....E-9
CARBURETOR FIT.....C-4	CYLINDER HEAD.....B-3	FR DAMPER.....G-2	HANDLEBAR.....G-8	RR CUSHION LEVER.....H-3	STAND.....F-3	WIRING HARNESS.....E-11
CLUTCH.....D-2	CYL HEAD COVER.....B-2	FR FENDER.....G-6	HEADLAMP.....E-8	RR FENDER.....H-4	STARTER CLUTCH.....B-11	

FIG.16

C - 7

19

FIG.16 (C- 7) OIL COOLER

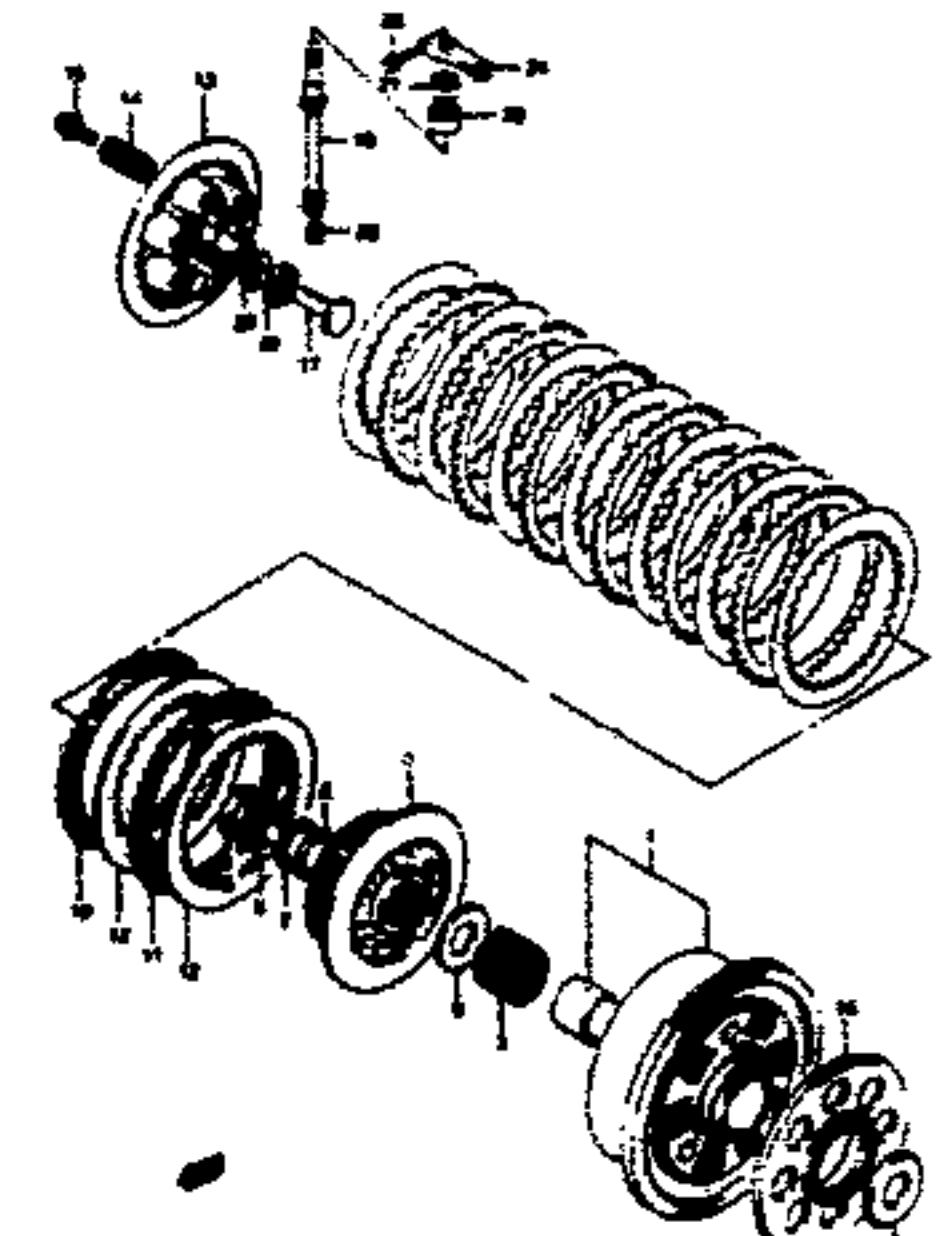
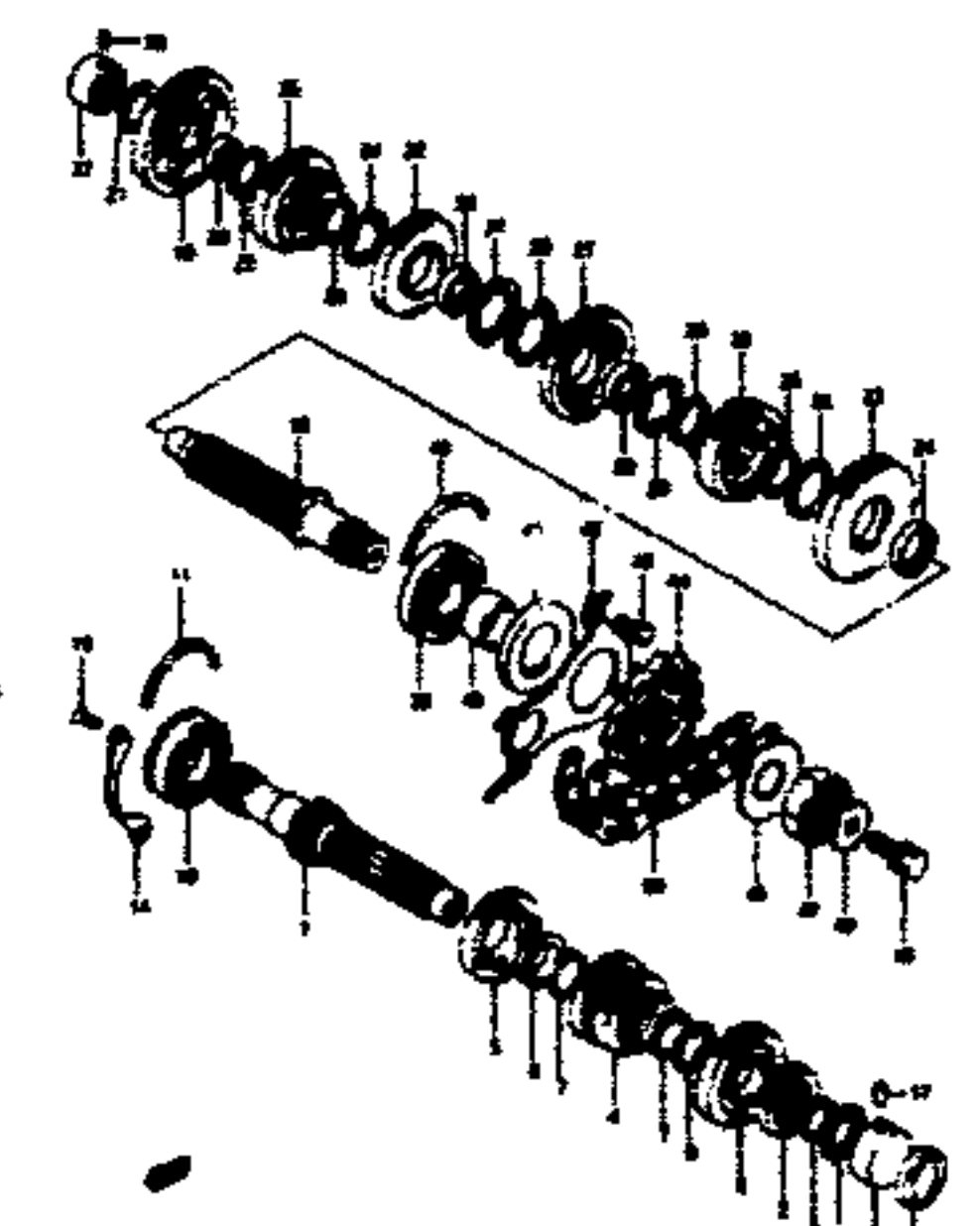
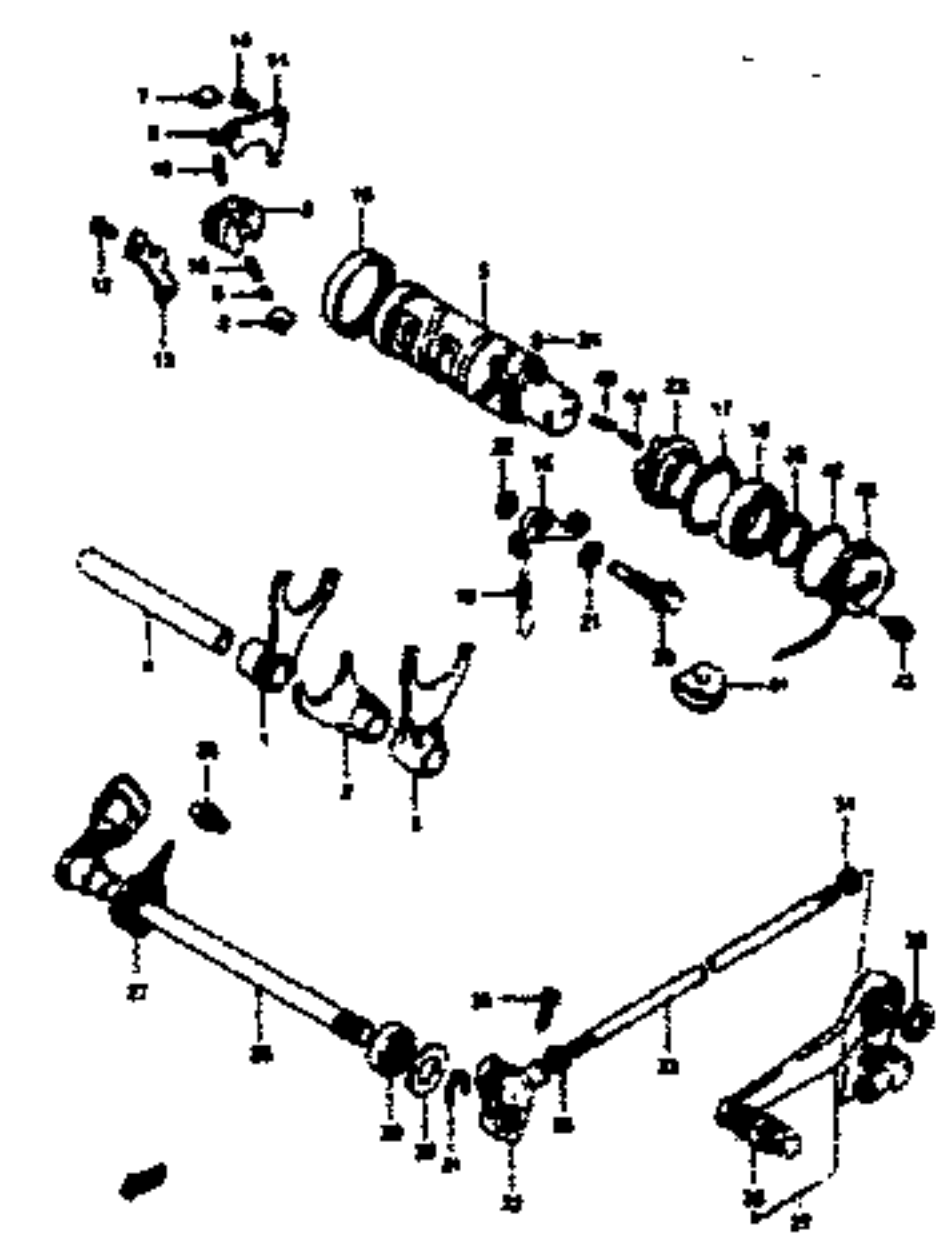


REF.NO.	PART NO.	DESCRIPTION	Q'TY	REMARKS
1	16600-17000	COOLER ASSY, oil	1	
2	09118-08131	BOLT (8x40)	2	
3	09180-08124	SPACER (8.8x12x24.5)	2	
4	16629-27A01	CUSHION, No.1	2	
5	16628-27A00	CUSHION, No.2	2	
6	16460-17D10	HOSE, oil cooler LH	1	
7	16470-17D10	HOSE, oil cooler RH	1	
8	07110-06165	BOLT	4	
9	09280-12008	O RING	2	
10	09360-16002	BOLT, union	2	
11	09168-16002	GASKET (16x22x2)	4	
12	09407-22404	CLAMP, oil hose	6	
13	94435-17D00	PROTECTOR	2	

GSX-R750M E28

GSX-R750M E28

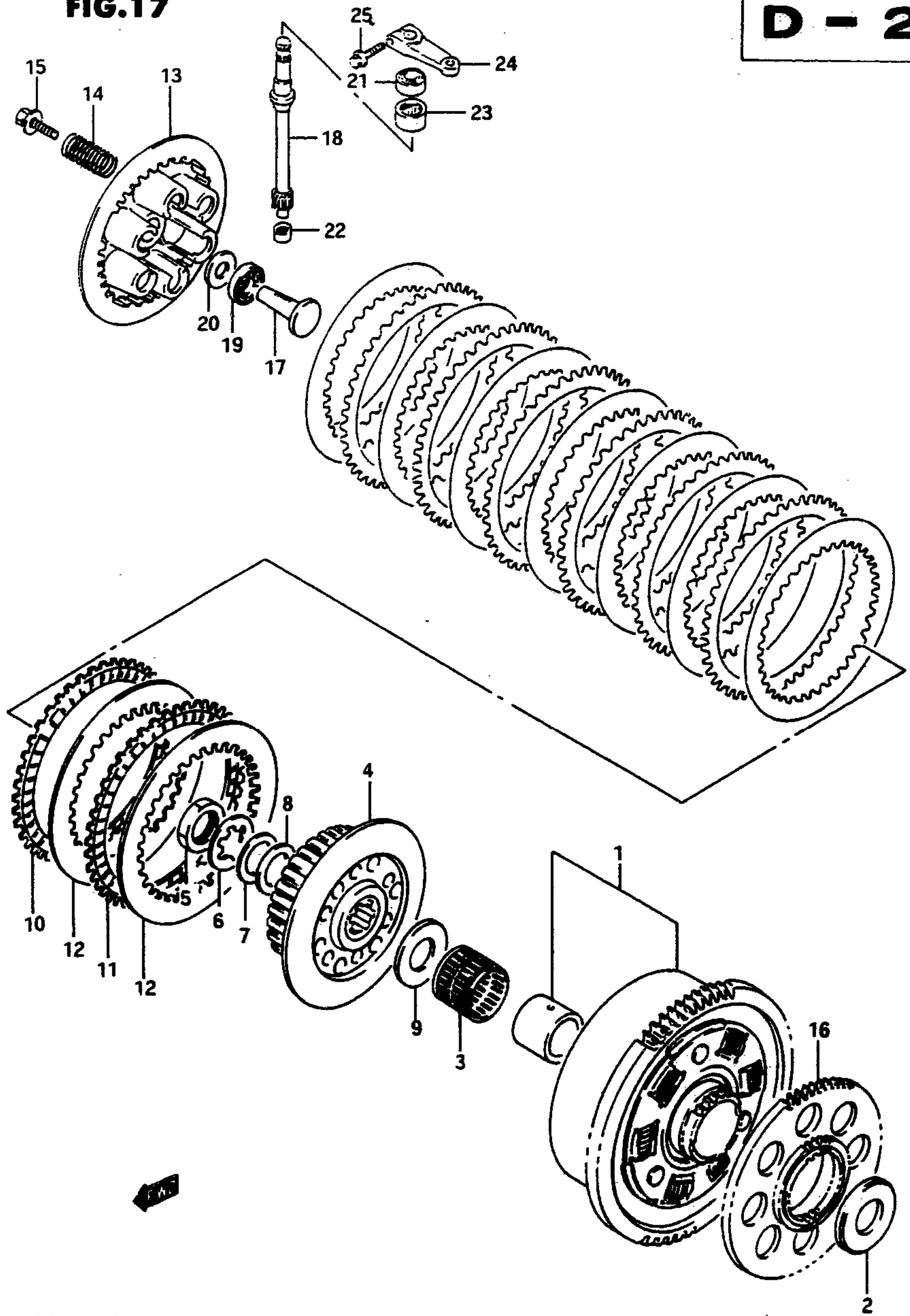
AIR CLEANER...C-5	COWLING BODY...H-8	ELECTRICAL...E-6	FR MASTER CYL...G-12	MUFFLER...E-8	RR MASTER CYL...H-7	STARTING MOTOR...E-2
ALTERNATOR...E-3	COWLING FIT SET...H-11	FOOTREST...F-4	FR WHEEL...G-7	OIL COOLER...C-6	RR SWINGING ARM...H-2	STEERING DAMPER...G-5
BATTERY...E-5	CRANKCASE...B-5	FRAME...F-2	FUEL COCK...F-6	OIL PAN...C-7	RR WHEEL...H-5	STEERING STEM...G-4
CAM CHAIN...B-14	CRANKCASE COVER...B-7	FRAME COVER...F-8	FUEL TANK...F-5	OIL PUMP...B-9	SEAT...F-7	TAIL LAMP...E-10
CAM SHAFT...B-12	CRANKSHAFT...B-10	FR BRAKE HOSE...G-11	GEAR SHIFTING...D-5	OPTIONAL...H-13	SIGNAL GENERATOR...E-4	TRANSMISSION...D-3
CARBURETOR...C-2	CYLINDER...B-4	FR CALIPERS...G-10	HANDLE SWITCH...G-9	RR CALIPER...H-6	SPEEDOMETER...E-7	TURNSIGNAL LAMP...E-9
CARBURETOR FIT...C-4	CYLINDER HEAD...B-3	FR DAMPER...G-2	HANDLEBAR...G-8	RR CUSHION LEVER...H-3	STAND...F-3	WIRING HARNESS...E-11
CLUTCH...D-2	CYL HEAD COVER...B-2	FR FENDER...G-6	HEADLAMP...E-8	RR FENDER...H-4	STARTER CLUTCH...B-11	

CLUTCH	D-2 TRANSMISSION	D-3 GEAR SHIFTING	D-5		
					

AIR CLEANER.....C-5	COWLING BODY.....H-8	ELECTRICAL.....E-6	FR MASTER CYL.....G-12	MUFFLER.....E-8	RR MASTER CYL.....H-7	STARTING MOTOR..E-2
ALTERNATOR.....E-3	COWLING FIT SET..H-11	FOOTREST.....F-4	FR WHEEL.....G-7	OIL COOLER.....C-6	RR SWINGING ARM..H-2	STEERING DAMPER..G-5
BATTERY.....E-5	CRANKCASE.....B-5	FRAME.....F-2	FUEL COCK.....F-6	OIL PAN.....C-7	RR WHEEL.....H-5	STEERING STEM...G-4
CAM CHAIN.....B-14	CRANKCASE COVER..B-7	FRAME COVER...F-8	FUEL TANK.....F-5	OIL PUMP.....B-9	SEAT.....F-7	TAIL LAMP.....E-10
CAM SHAFT.....B-12	CRANKSHAFT.....B-10	FR BRAKE HOSE..G-11	GEAR SHIFTING..D-5	OPTIONAL.....H-13	SIGNAL GENERATOR..E-4	TRANSMISSION....D-3
CARBURETOR.....C-2	CYLINDER.....B-4	FR CALIPERS...G-10	HANDLE SWITCH..G-9	RR CALIPER.....H-6	SPEEDOMETER.....E-7	TURN SIGNAL LAMP..E-9
CARBURETOR FIT..C-4	CYLINDER HEAD...B-3	FR DAMPER.....G-2	HANDLEBAR.....G-8	RR CUSHION LEVER..H-3	STAND.....F-3	WIRING HARNESS..E-11
CLUTCH.....D-2	CYL HEAD COVER..B-2	FR FENDER.....G-6	HEADLAMP.....E-8	RR FENDER.....H-4	STARTER CLUTCH...B-11	

FIG.17

D - 2



20

FIG.17 (D- 2) CLUTCH

REF.NO.	PART NO.	DESCRIPTION	Q'TY	REMARKS
1	21200-07864	GEAR, primary driven (NT:75)	1	
2	09160-25067	WASHER	1	
3	09263-35017	BEARING	1	
4	21410-17D00	HUB, sleeve	1	
5	09140-24012	NUT	1	
6	09167-25007	WASHER	1	
7	09164-24006	WASHER, wave	1	
8	08221-25365	WASHER	1	
9	09160-25056	WASHER (25x50x2.5)	1	
10	21441-20C00	PLATE, drive (T:2.2)	7	
11	21442-17C00	PLATE, drive, No.2	1	
12	21451-17C00	PLATE, driven (T:1.6)	9	
13	21462-17D00	DISC, pressure	1	
14	09440-20020	SPRING	6	
15	09116-06150	BOLT (6x25)	6	
16	22721-17D00	GEAR, generator drive (NT:34/64)	1	
17	23165-07D00	RACK, release	1	
18	23261-17C00	PINION, release	1	
19	09263-15003	BEARING (15x28x2)	1	
20	09160-15015	WASHER (15x28x1)	1	
21	09285-12002	OIL SEAL (12x22x9)	1	
22	09263-10013	BEARING (10x14x10)	1	
23	09263-15012	BEARING (15x22x12)	1	
24	23271-17C00	ARM, clutch release	1	
25	01547-06207	BOLT	1	

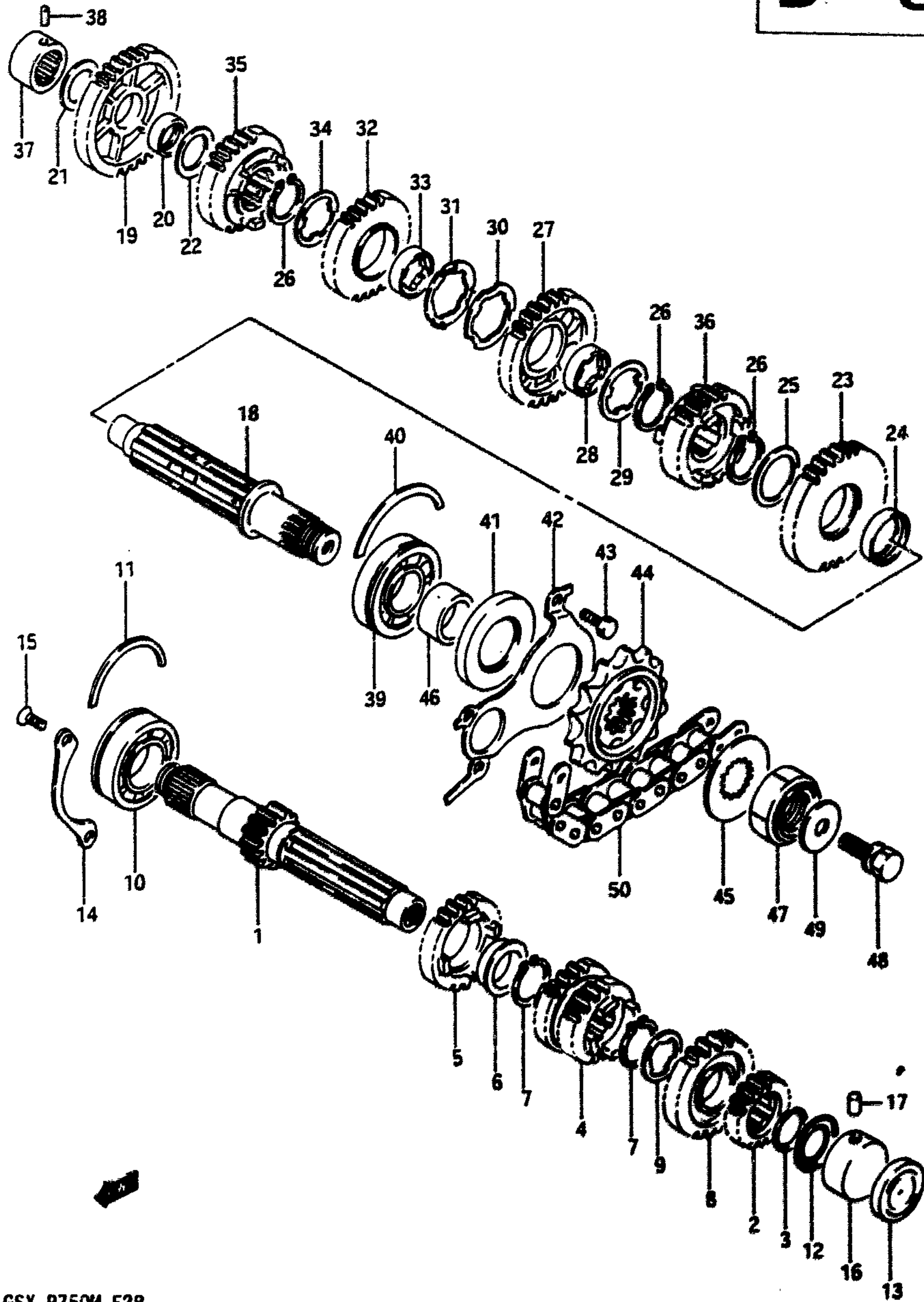
GSX-R750M E28

GSX-R750M E28

AIR CLEANER...C-5	COWLING BODY...H-8	ELECTRICAL...E-6	FR MASTER CYL...G-12	MUFFLER...E-8	RR MASTER CYL...H-7	STARTING MOTOR...E-2
ALTERNATOR...E-3	COWLING FIT SET...H-11	FOOTREST...F-4	FR WHEEL...G-7	OIL COOLER...C-6	RR SWINGING ARM...H-2	STEERING DAMPER...G-5
BATTERY...E-5	CRANKCASE...B-5	FRAME...F-2	FUEL COCK...F-6	OIL PAN...C-7	RR WHEEL...H-5	STEERING STEM...G-4
CAM CHAIN...B-14	CRANKCASE COVER...B-7	FRAME COVER...F-8	FUEL TANK...F-5	OIL PUMP...B-9	SEAT...F-7	TAIL LAMP...E-10
CAM SHAFT...B-12	CRANKSHAFT...B-10	FR BRAKE HOSE...G-11	GEAR SHIFTING...D-5	OPTIONAL...H-13	SIGNAL GENERATOR...E-4	TRANSMISSION...D-3
CARBURETOR...C-2	CYLINDER...B-4	FR CALIPERS...G-10	HANDLE SWITCH...G-9	RR CALIPER...H-6	SPEEDOMETER...E-7	TURN SIGNAL LAMP...E-9
CARBURETOR FIT...C-4	CYLINDER HEAD...B-3	FR DAMPER...G-2	HANDLEBAR...G-8	RR CUSHION LEVER...H-3	STAND...F-3	WIRING HARNESS...E-11
CLUTCH...D-2	CYL HEAD COVER...B-2	FR FENDER...G-6	HEADLAMP...E-8	RR FENDER...H-4	STARTER CLUTCH...B-11	

FIG.18

D - 3



GSX-R750M E2B

21

FIG.18 (D-3) TRANSMISSION

REF.NO.	PART NO.	DESCRIPTION	Q'TY	REMARKS
1	24121-17C02	COUNTERSHAFT (NT:13)	1	
2	24221-27A01	GEAR, 2nd drive (NT:16)	1	
3	09380-25013	CIRCLIP	1	
4	24231-27A00	GEAR, 3/4th drive (NT:17/20)	1	
5	24251-27A01	GEAR, 5th drive (NT:22)	1	
6	09301-25001	BUSH	1	
7	09380-25003	CIRCLIP	2	
8	24261-17C01	GEAR, 6th drive (NT:21)	1	
9	09167-25012	WASHER	1	
10	09262-25051	BEARING, RH	1	
11	09390-62006	C RING	1	
12	09285-20006	OIL SEAL	1	
13	23116-27A30	CAP, counter shaft	1	
14	24741-27A00	HOLDER, bearing	1	
15	02122-06167	SCREW	2	
16	09263-20069	BEARING, LH	1	
17	04221-07129	PIN	1	
18	24131-17D00	DRIVESHAFT	1	
19	24311-27A01	GEAR, 1st driven (NT:36)	1	
20	09300-22008	BUSH	1	
21	08211-20341	WASHER, RH	1	
22	08211-22341	WASHER, LH	1	
23	24321-27A02	GEAR, 2nd driven (NT:33)	1	
24	09300-28001	BUSH	1	
25	08211-28381	WASHER	1	
26	08331-11289	CIRCLIP	3	
27-1	24331-27A00	GEAR, 3rd driven (NT:28)	1	-E.No.108188
27-2	24331-17D00	GEAR, 3rd driven (NT:28)	1	E.No.108189-
28	24332-27A00	BUSH	1	
29	09167-28001	WASHER, LH	1	
30	09167-28002	WASHER, RH (T:1.5)	1	
31	09169-28001	WASHER, RH (T:1.0)	1	
32	24341-27A01	GEAR, 4th driven (NT:28)	1	
33	24332-27A00	BUSH	1	

GSX-R750M E2B

AIR CLEANER.....C-5	COWLING BODY.....H-8	ELECTRICAL.....E-6	FR MASTER CYL.....G-12	MUFFLER.....E-8	RR MASTER CYL.....H-7	STARTING MOTOR..E-2
ALTERNATOR.....E-3	COWLING FIT SET..H-11	FOOTREST.....F-4	FR WHEEL.....G-7	OIL COOLER.....C-6	RR SWINGING ARM..H-2	STEERING DAMPER..G-5
BATTERY.....E-5	CRANKCASE.....B-5	FRAME.....F-2	FUEL COCK.....F-6	OIL PAN.....C-7	RR WHEEL.....H-5	STEERING STEM...G-4
CAM CHAIN.....B-14	CRANKCASE COVER..B-7	FRAME COVER...F-8	FUEL TANK.....F-5	OIL PUMP.....B-9	SEAT.....F-7	TAIL LAMP.....E-10
CAM SHAFT.....B-12	CRANKSHAFT.....B-10	FR BRAKE HOSE..G-11	GEAR SHIFTING..D-5	OPTIONAL.....H-13	SIGNAL GENERATOR..E-4	TRANSMISSION....D-3
CARBURETOR.....C-2	CYLINDER.....B-4	FR CALIPERS...G-10	HANDLE SWITCH..G-9	RR CALIPER.....H-6	SPEEDOMETER.....E-7	TURN SIGNAL LAMP..E-9
CARBURETOR FIT..C-4	CYLINDER HEAD...B-3	FR DAMPER.....G-2	HANDLEBAR.....G-8	RR CUSHION LEVER..H-3	STAND.....F-3	WIRING HARNESS..E-11
CLUTCH.....D-2	CYL HEAD COVER..B-2	FR FENDER.....G-6	HEADLAMP.....E-8	RR FENDER.....H-4		

FIG.18

D - 4

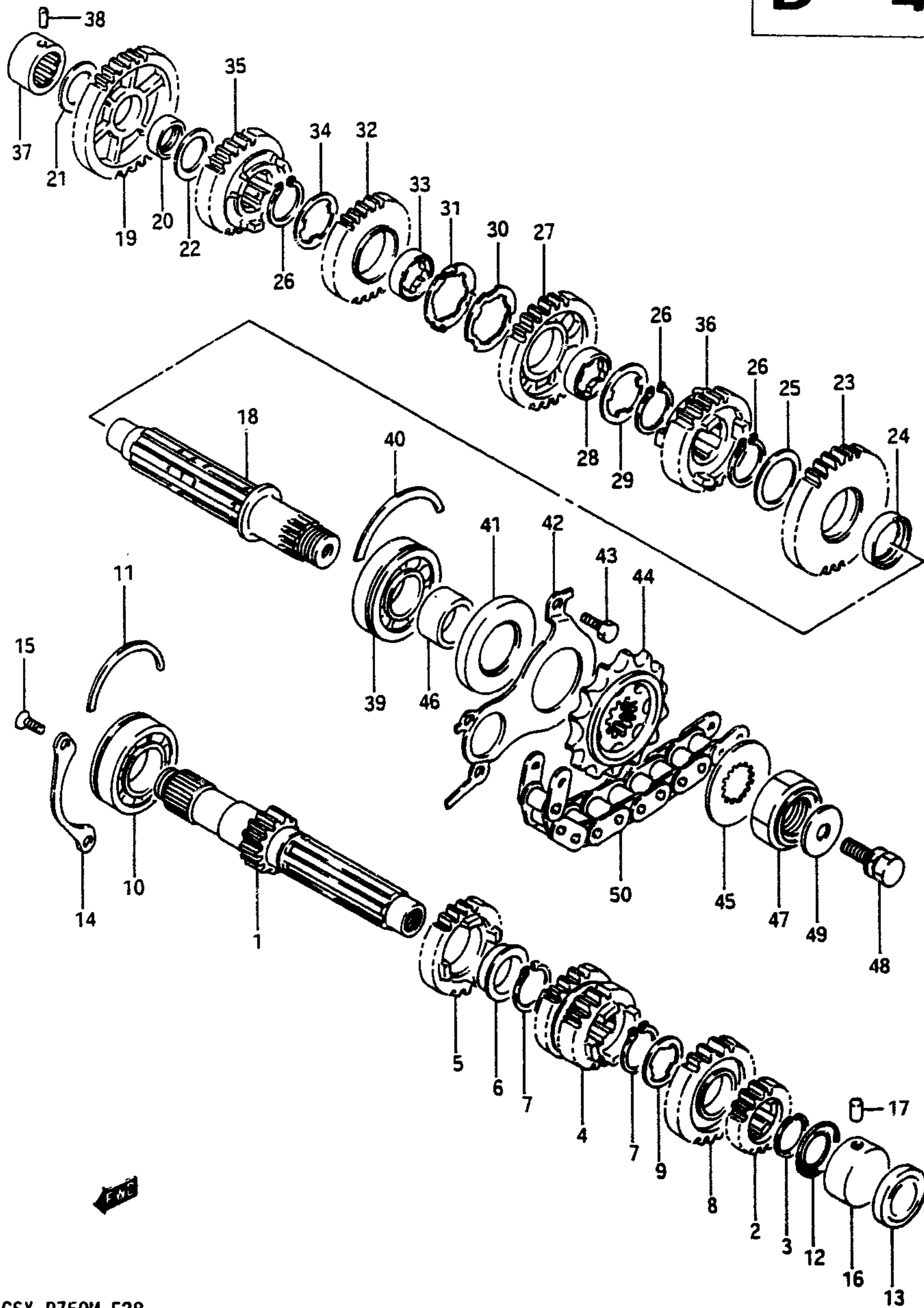


FIG.18 (D- 4) TRANSMISSION

REF.NO.	PART NO.	DESCRIPTION	Q'TY	REMARKS
34	09167-28001	WASHER, RH	1	
35	24351-27A00	GEAR, 5th driven (NT:27)	1	
36-1	24361-27A02	GEAR, 5th driven (NT:23)	1	-E.No.108188
36-2	24361-27A03	GEAR, 6th driven (NT:23)	1	E.No.108189-
37	09263-20040	BEARING, RH	1	
38	04221-07209	PIN (L:20)	1	
39	09262-25105	BEARING, LH	1	
40	09390-62006	C RING	1	
41	09283-34005	OIL SEAL (34x62x6)	1	
42	24751-27A01	PLATE	1	
43	01107-06107	SCREW	4	
44	27510-17C00	SPROCKET, engine (NT:15)	1	
45	08211-25402	WASHER	1	
46	09180-25096	SPACER (25x34x20.5)	1	
47	09159-20004	NUT	1	
48	01147-06168	BOLT	1	
49	08212-06222	WASHER	1	
50	27600-17C20-108	CHAIN, drive (108LE) RK	1	

GSX-R750M E28

GSX-R750M E28

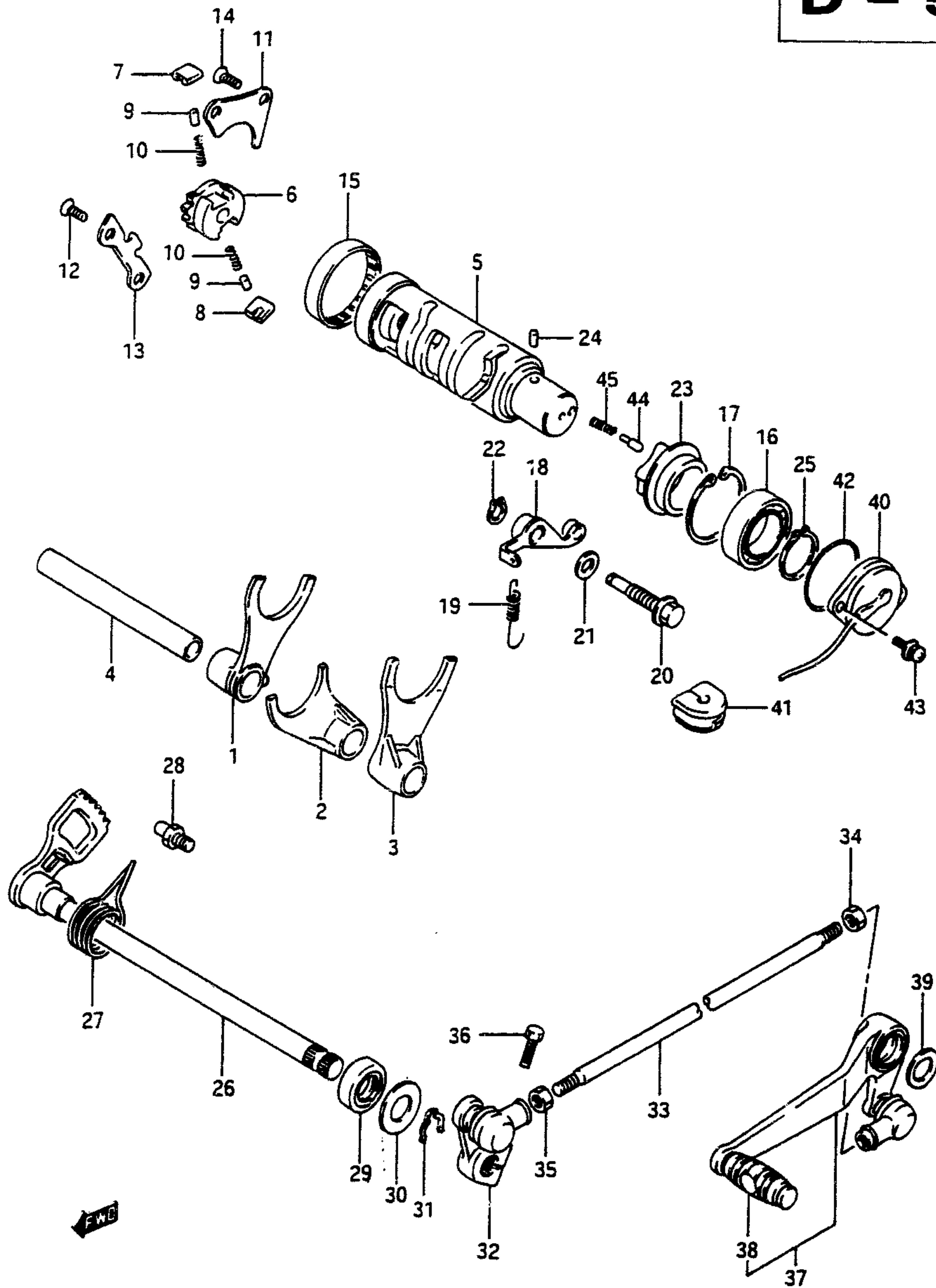
AIR CLEANER.....C-5	COWLING BODY.....H-8	ELECTRICAL.....E-6	FR MASTER CYL.G-12	MUFFLER.....E-8	RR MASTER CYL.....H-7	STARTING MOTOR..E-2
ALTERNATOR.....E-3	COWLING FIT SET.H-11	FOOTREST.....F-4	FR WHEEL.....G-7	OIL COOLER.....C-6	RR SWINGING ARM..H-2	STEERING DAMPER.G-5
BATTERY.....E-5	CRANKCASE.....B-5	FRAME.....F-2	FUEL COCK.....F-6	OIL PAN.....C-7	RR WHEEL.....H-5	STEERING STEM...G-4
CAM CHAIN.....B-14	CRANKCASE COVER.B-7	FRAME COVER...F-8	FUEL TANK.....F-5	OIL PUMP.....B-9	SEAT.....F-7	TAIL LAMP.....E-10
CAM SHAFT.....B-12	CRANKSHAFT.....B-10	FR BRAKE HOSE.G-11	GEAR SHIFTING.D-5	OPTIONAL.....H-13	SIGNAL GENERATOR.E-4	TRANSMISSION....D-3
CARBURETOR.....C-2	CYLINDER.....B-4	FR CALIPERS...G-10	HANDLE SWITCH.G-9	RR CALIPER.....H-6	SPEEDOMETER.....E-7	URNSIGNAL LAMP.E-9
CARBURETOR FIT.C-4	CYLINDER HEAD..B-3	FR DAMPER.....G-2	HANDLEBAR.....G-8	RR CUSHION LEVER.H-3	STAND.....F-3	WIRING HARNESS..E-11
CLUTCH.....D-2	CYL HEAD COVER..B-2	FR FENDER.....G-6	HEADLAMP.....E-8	RR FENDER.....H-4	STARTER CLUTCH...B-11	

FIG.19

D - 5

23

FIG.19 (D- 5) GEAR SHIFTING



REF.NO.	PART NO.	DESCRIPTION	Q'TY	REMARKS
1	25211-27A00	FORK, gear shifting No.1	1	
2	25221-27A01	FORK, gear shifting No.2	1	
3	25231-27A30	FORK, gear shifting No.3	1	
4	25411-27A00	SHAFT, gear shifting fork	1	
5	25310-27A02	CAM, gear shifting	1	
6	25322-31301	GEAR, cam driven	1	
7	25323-34201	PAWL, No.1	1	
8	25324-34201	PAWL, No.2	1	
9	09261-05003	PIN	2	
10	09440-04003	SPRING	2	
11	25331-31301	LIFTER, pawl	1	
12	02122-06128	SCREW	2	
13	25341-27A00	GUIDE, cam	1	
14	02122-06128	SCREW	2	
15	09263-43001	BEARING, RH	1	
16	08110-69050	BEARING, LH	1	
17	08331-41428	CIRCLIP	1	
18	25350-27A00	STOPPER, cam	1	
19	09443-09033	SPRING	1	
20	25353-27A00	SHAFT, stopper	1	
21	09168-10002	WASHER	1	
22	08331-31086	CIRCLIP	1	
23	25381-38400	PLATE, stopper	1	
24	06211-04063	PIN	1	
25	08331-31258	CIRCLIP	1	
26	25510-19C00	SHAFT, gear shifting	1	
27	09444-26017	SPRING	1	
28	25671-01000	STOPPER, arm	1	
29	09285-12002	OIL SEAL (12x22x9)	1	
30	09160-12020	WASHER (12.5x27x1.6)	1	
31	09384-12001	CIRCLIP	1	

GSX-R750M E28

GSX-R750M E28

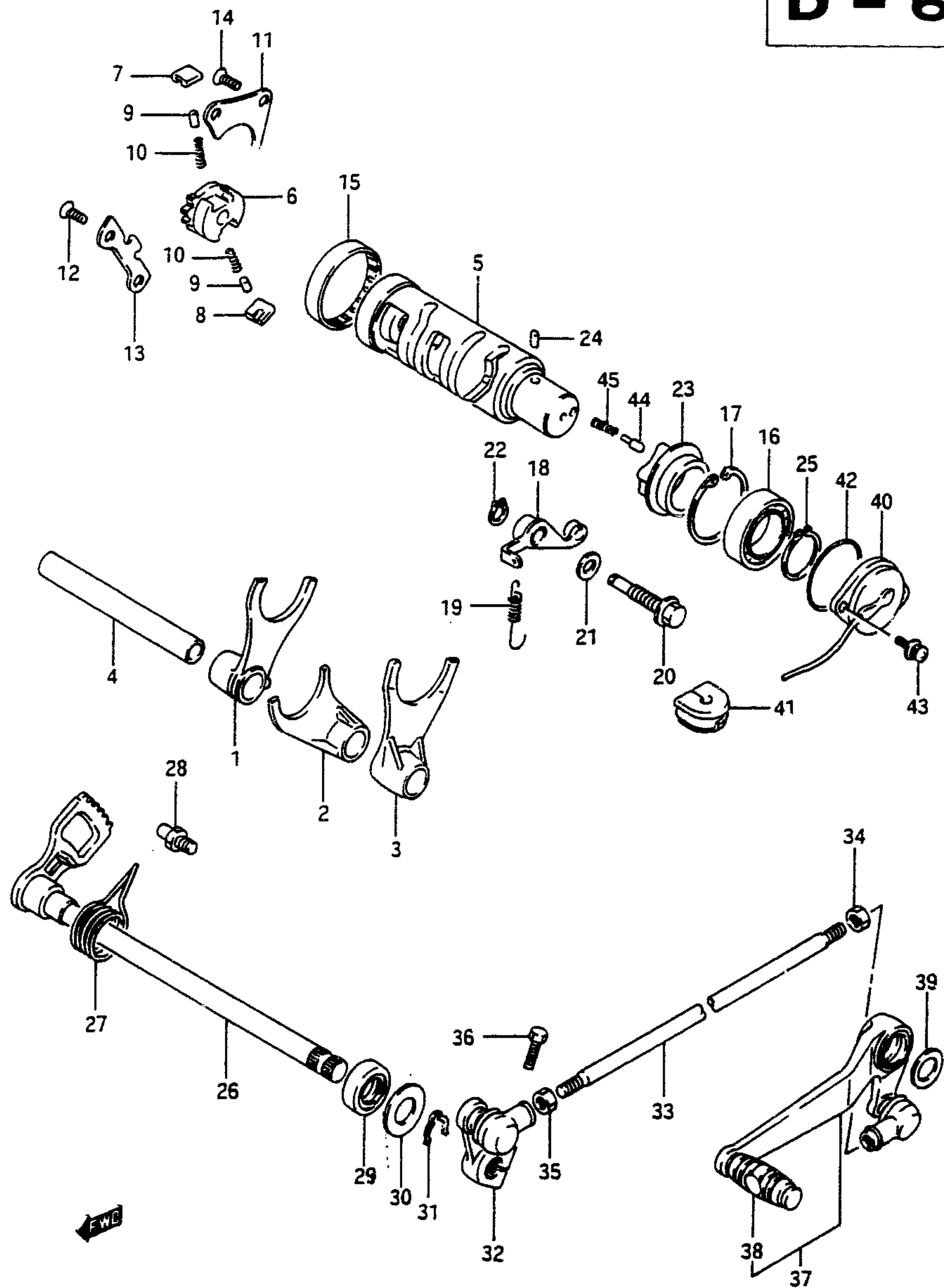
AIR CLEANER...C-5	COWLING BODY...H-8	ELECTRICAL...E-6	FR MASTER CYL...G-12	MUFFLER...E-8	RR MASTER CYL...H-7	STARTING MOTOR...E-2
ALTERNATOR...E-3	COWLING FIT SET...H-11	FOOTREST...F-4	FR WHEEL...G-7	OIL COOLER...C-6	RR SWINGING ARM...H-2	STEERING DAMPER...G-5
BATTERY...E-5	CRANKCASE...B-5	FRAME...F-2	FUEL COCK...F-6	OIL PAN...C-7	RR WHEEL...H-5	STEERING STEM...G-4
CAM CHAIN...B-14	CRANKCASE COVER...B-7	FRAME COVER...F-8	FUEL TANK...F-5	OIL PUMP...B-9	SEAT...F-7	TAIL LAMP...E-10
CAM SHAFT...B-12	CRANKSHAFT...B-10	FR BRAKE HOSE...G-11	GEAR SHIFTING...D-5	OPTIONAL...H-13	SIGNAL GENERATOR...E-4	TRANSMISSION...D-3
CARBURETOR...C-2	CYLINDER...B-4	FR CALIPERS...G-10	HANDLE SWITCH...G-9	RR CALIPER...H-6	SPEEDOMETER...E-7	TURNSIGNAL LAMP...E-9
CARBURETOR FIT...C-4	CYLINDER HEAD...B-3	FR DAMPER...G-2	HANDLEBAR...G-8	RR CUSHION LEVER...H-3	STAND...F-3	WIRING HARNESS...E-11
CLUTCH...D-2	CYL HEAD COVER...B-2	FR FENDER...G-6	HEADLAMP...E-8	RR FENDER...H-4	STARTER CLUTCH...B-11	

FIG.19

D - 6

24

FIG.19 (D- 6) GEAR SHIFTING

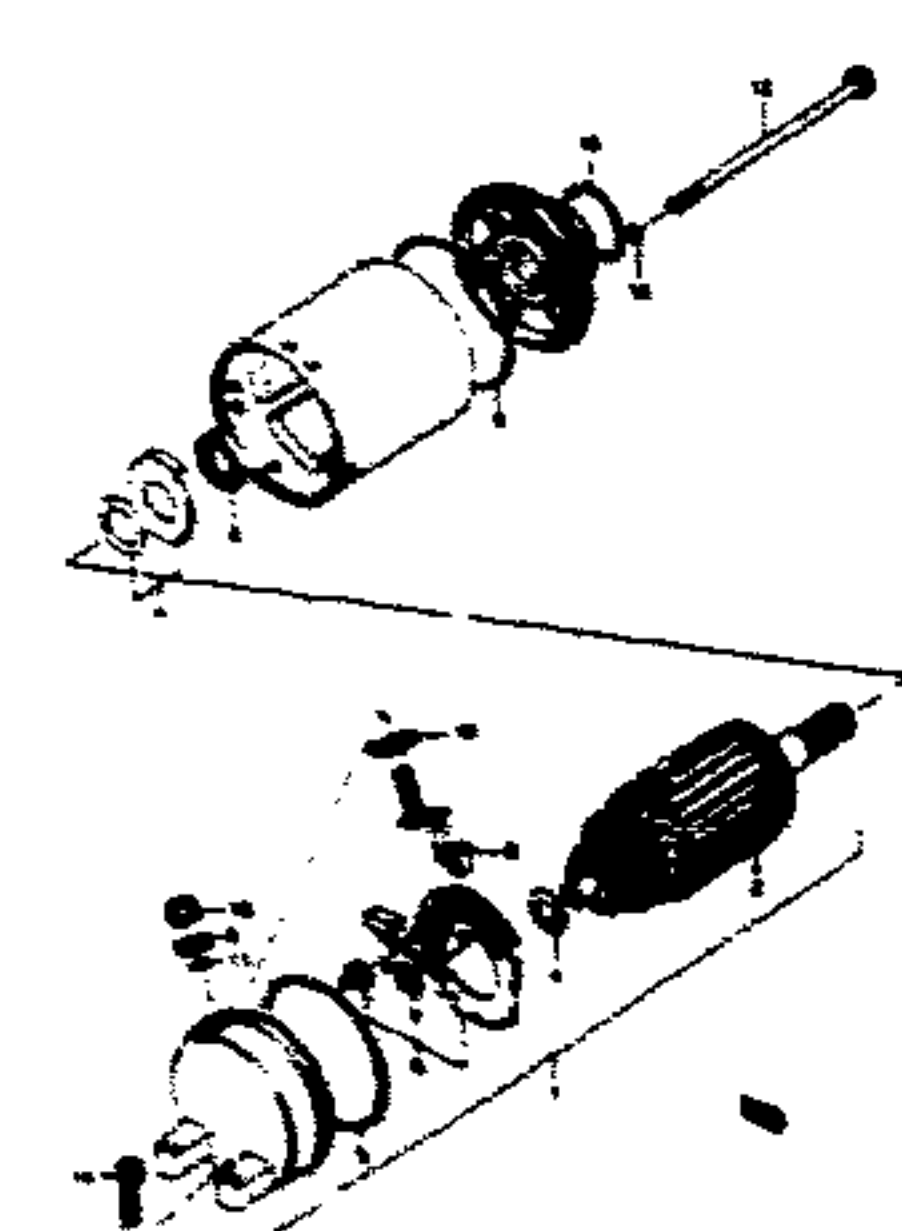
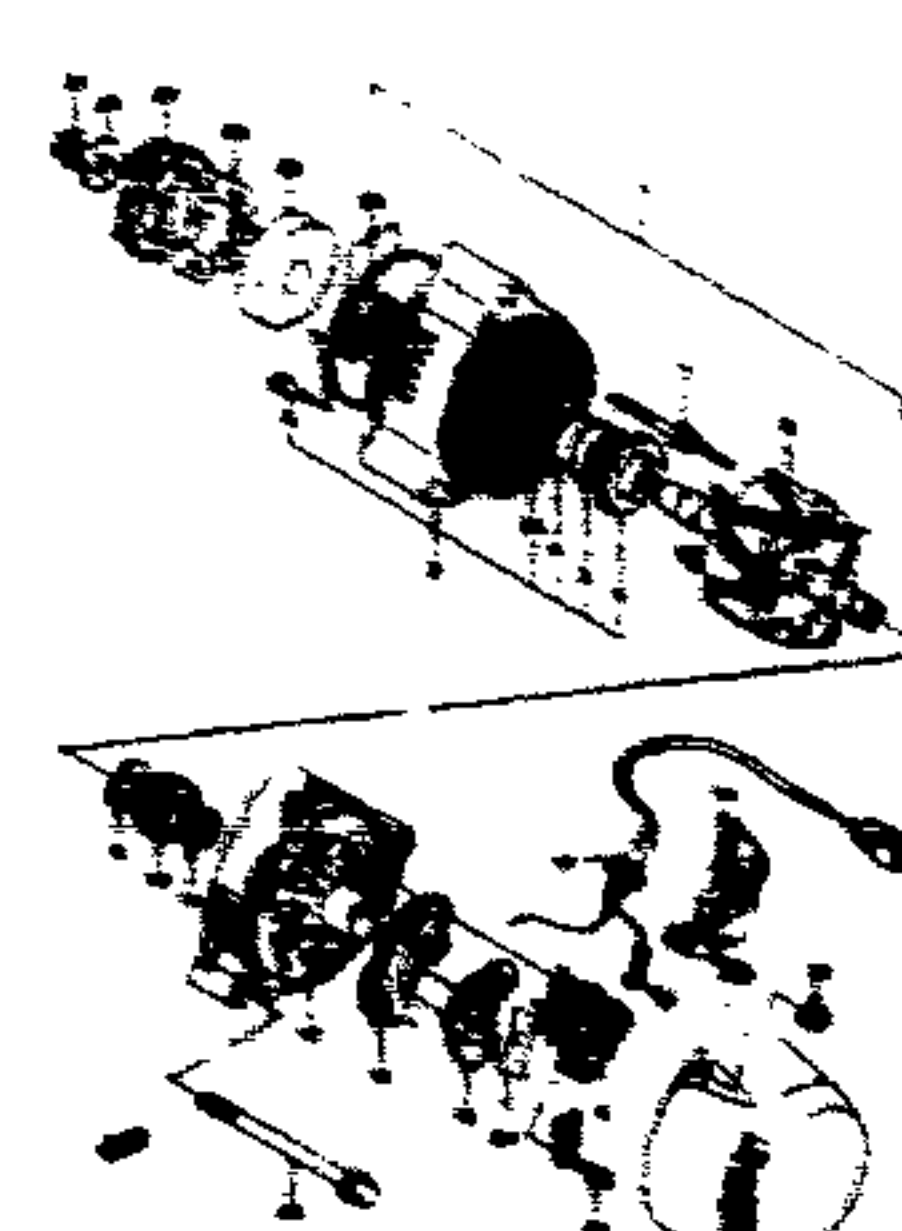
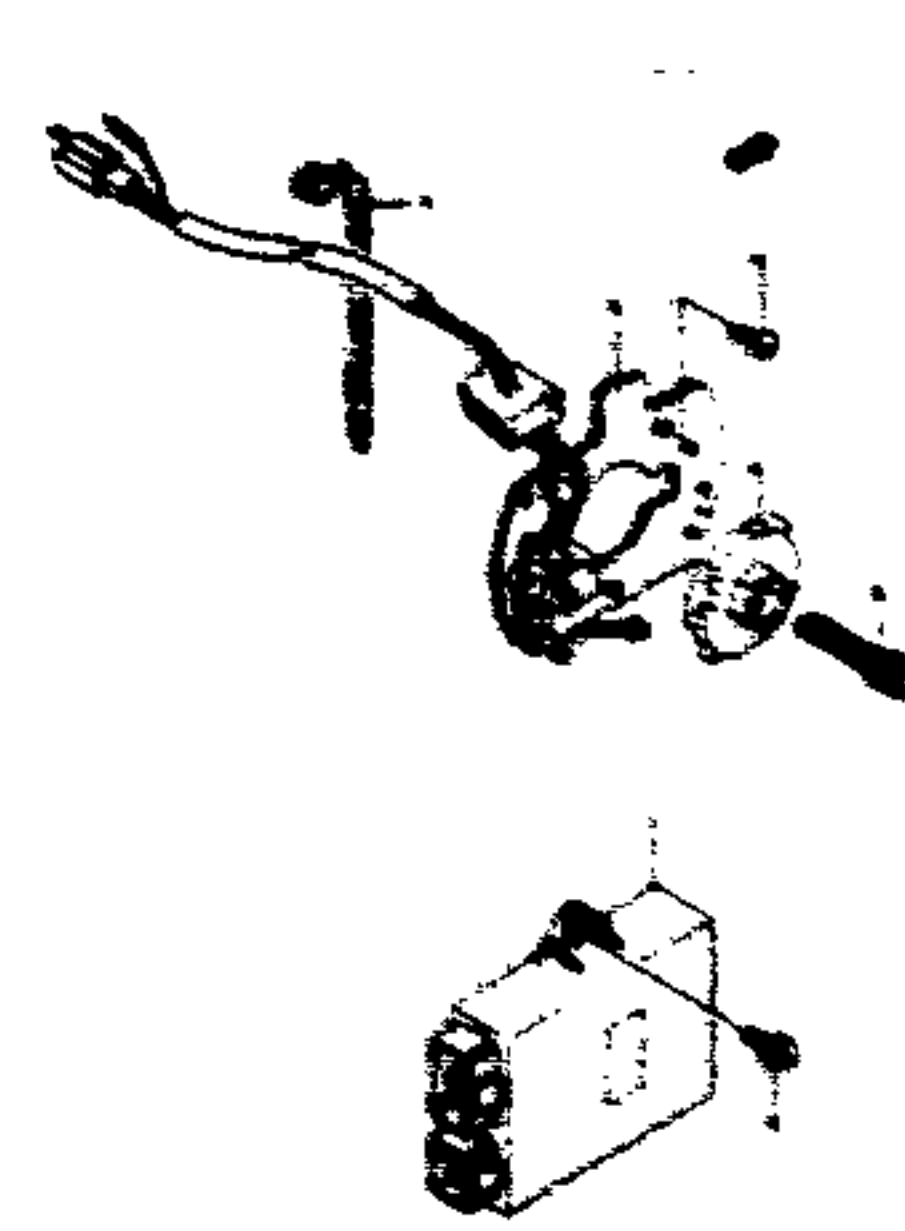
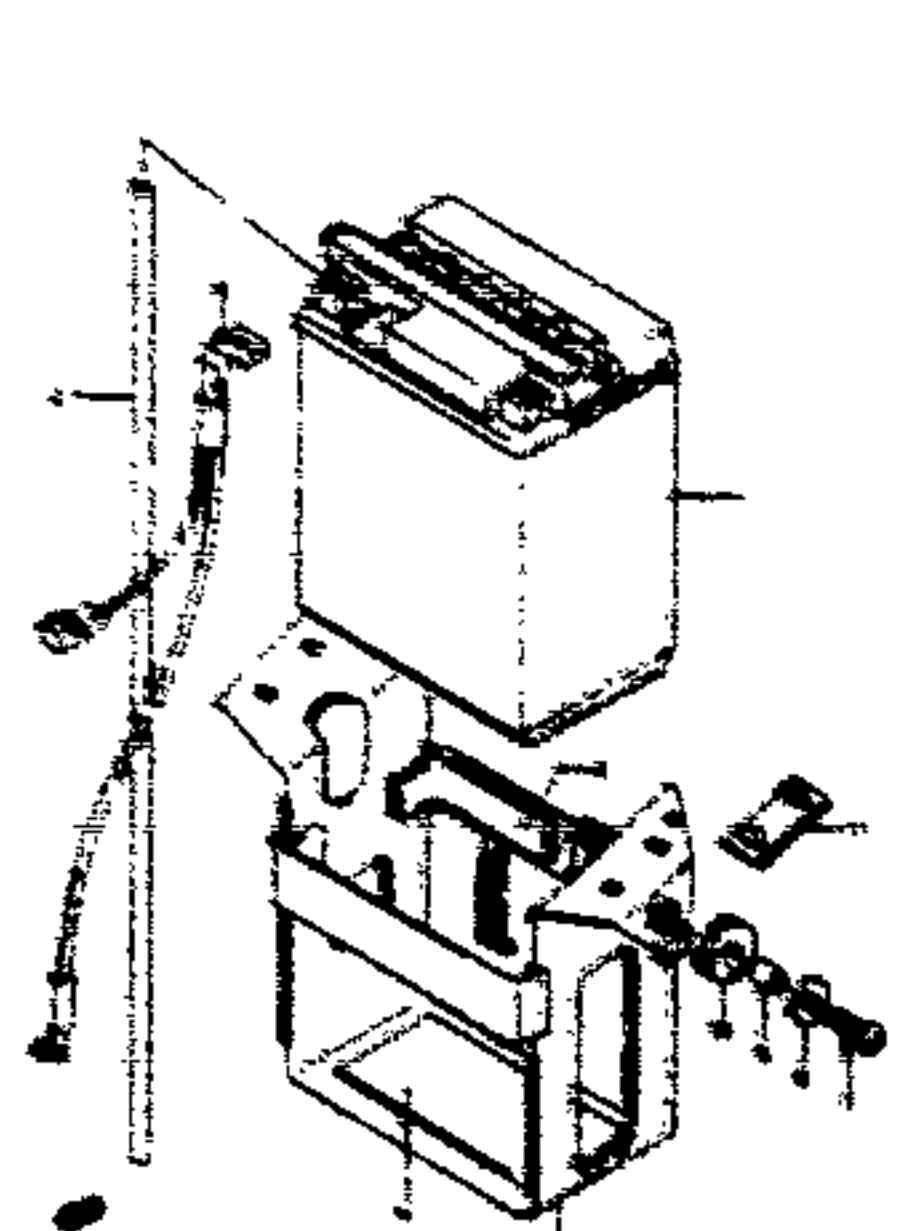
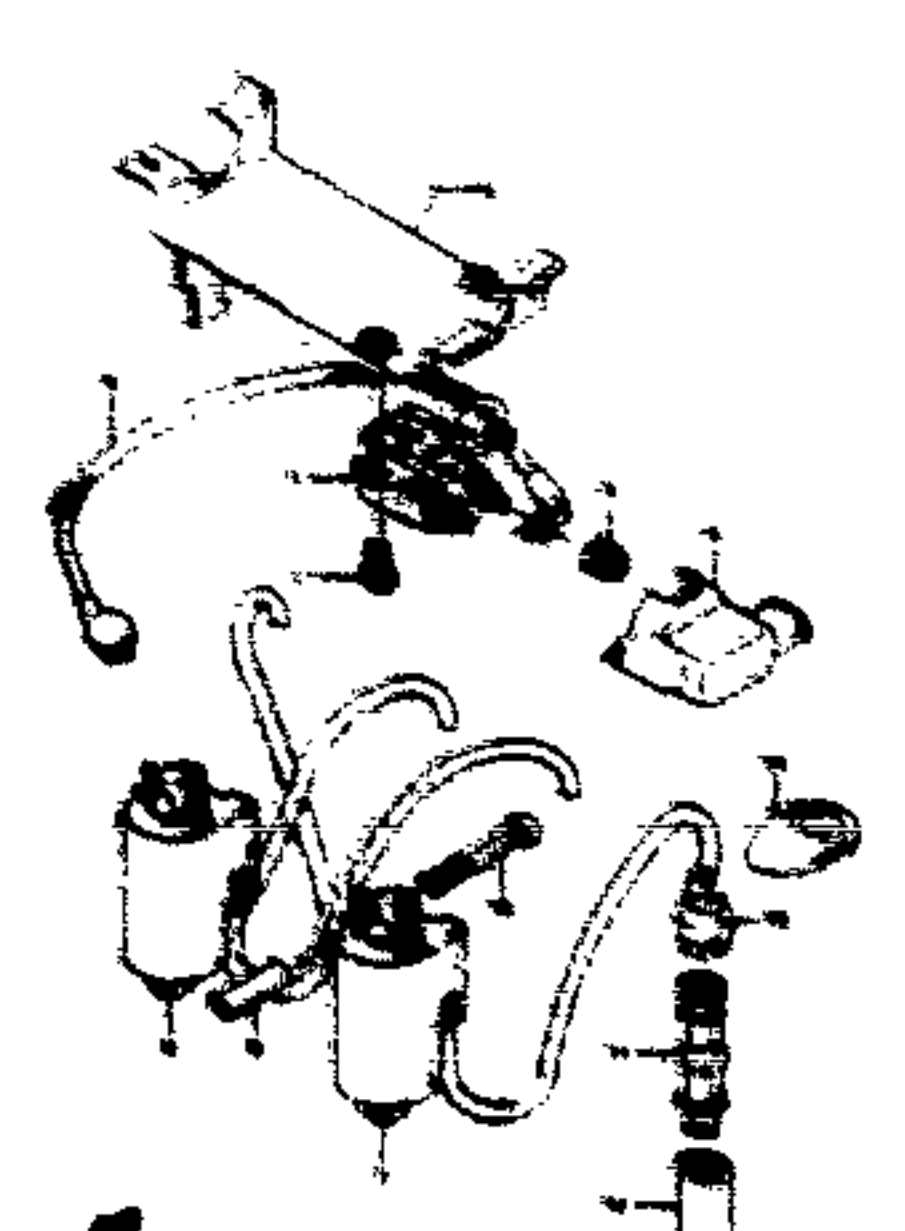
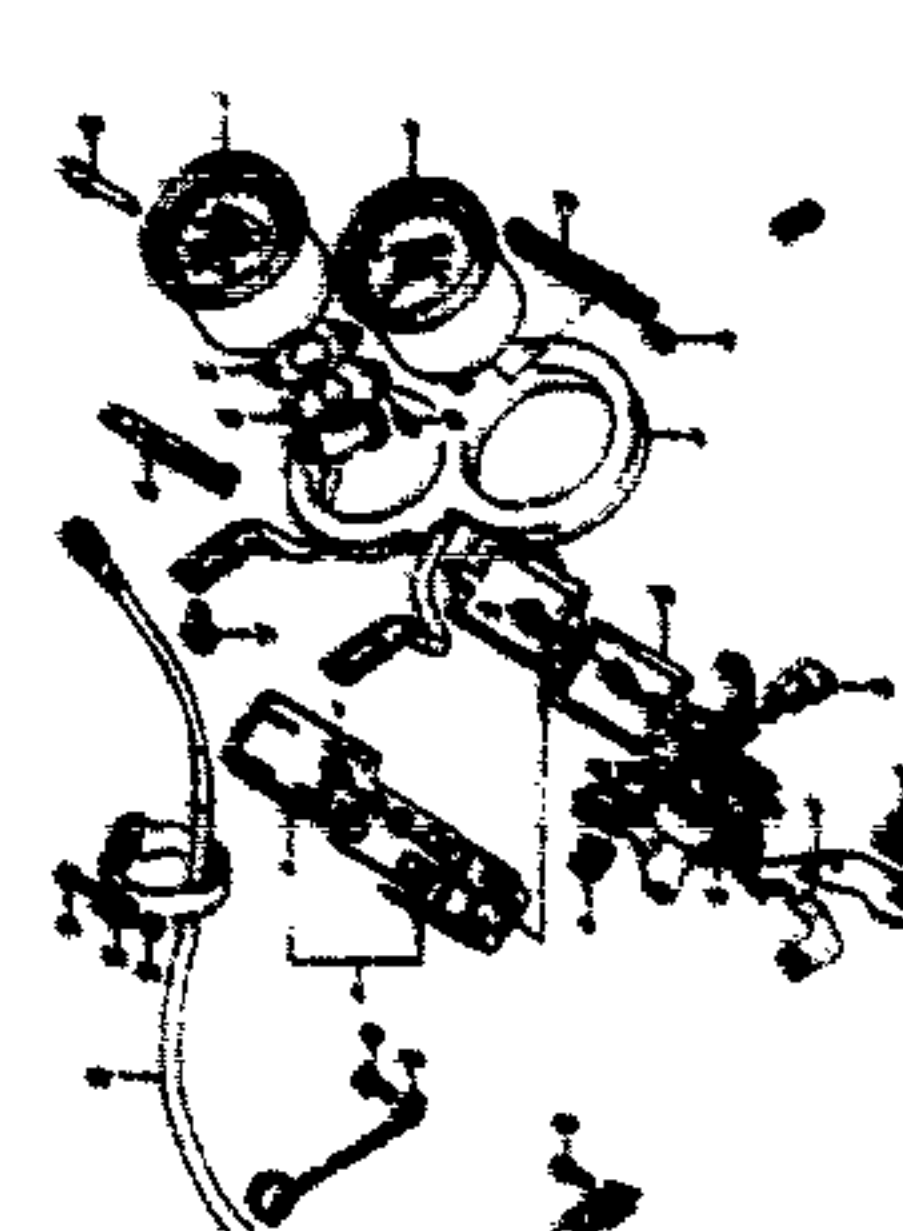
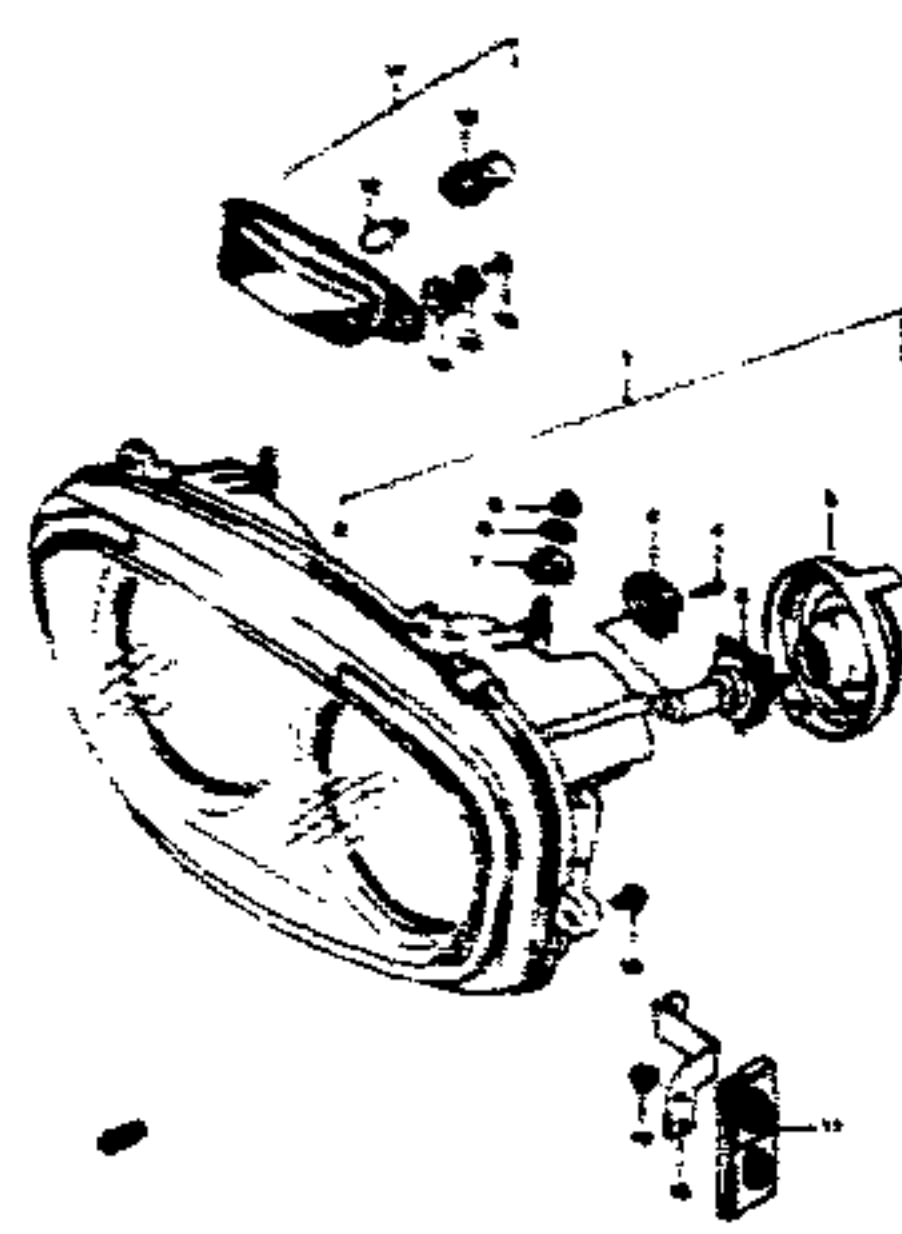
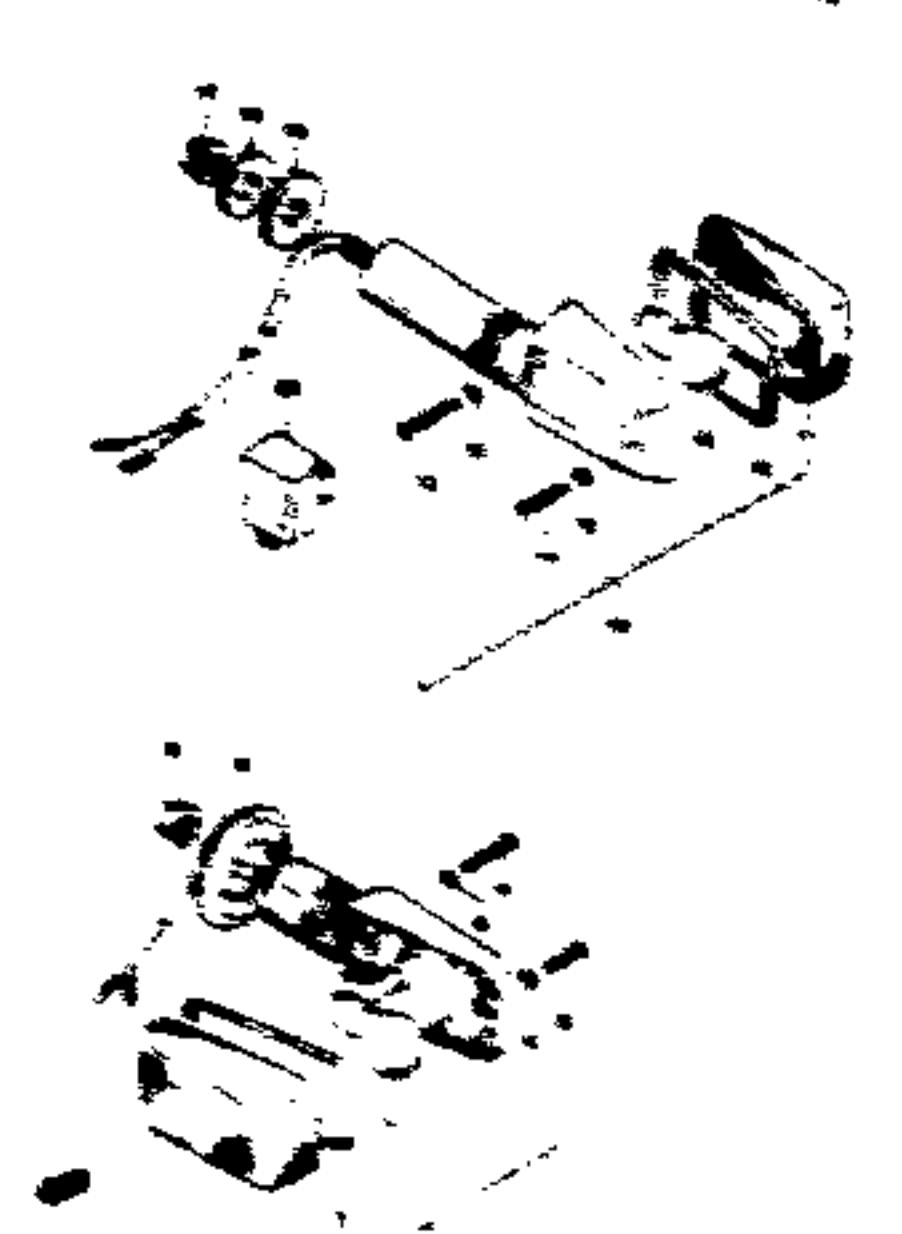
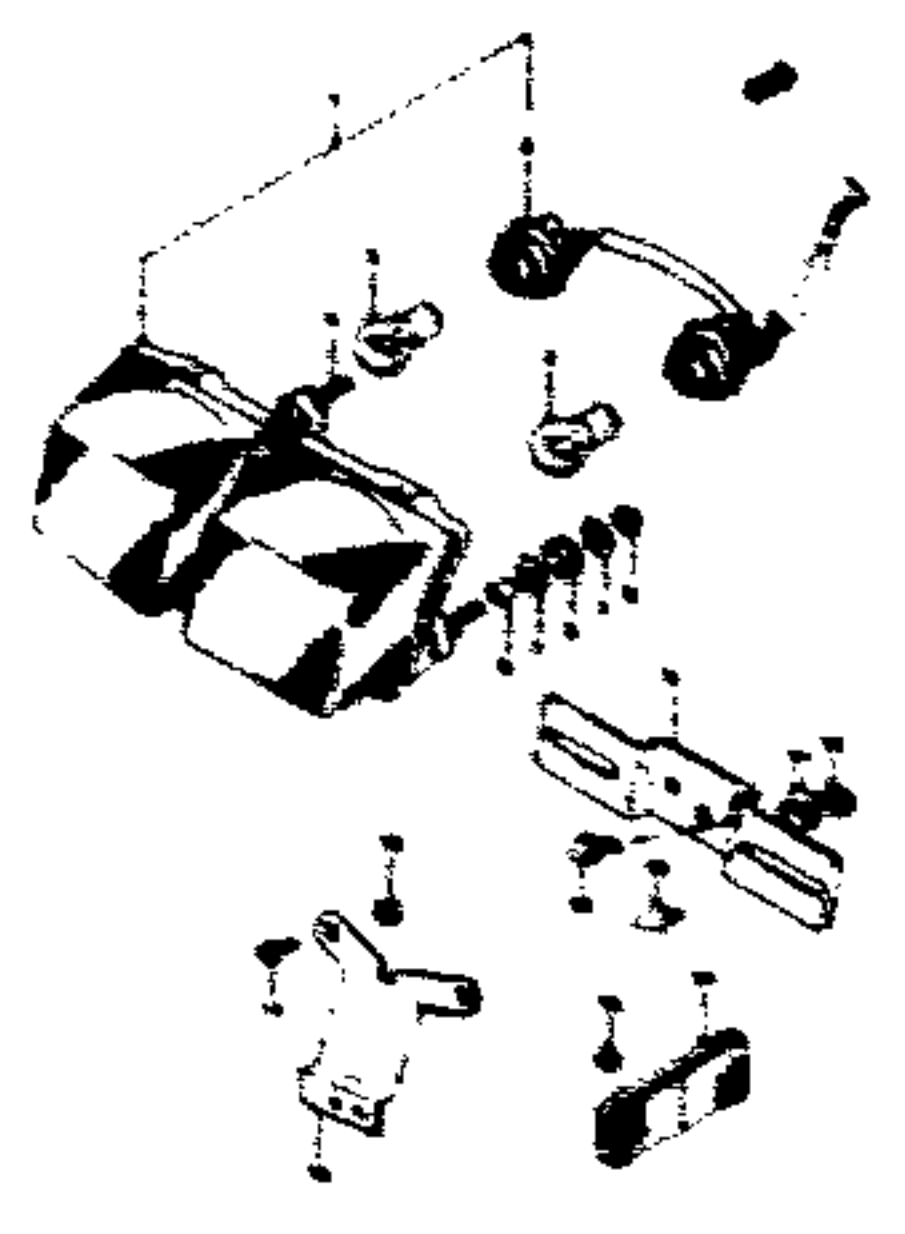



REF.NO.	PART NO.	DESCRIPTION	Q'TY	REMARKS
32	25520-19C02	ARM, gear shift link	1	
33	25525-17C02	ROD, gear shift link	1	
34	09140-06011	NUT	1	
35	08310-11067	NUT	1	
36	01107-06257	BOLT	1	
37	25600-17C03	LEVER ASSY, gear shifting	1	
38	25652-16500	.COVER	1	
39	09160-18022	WASHER (18x24x1)	1	
40	37720-48B00	BODY, gear shifting switch	1	
41	33885-27A01	GROMMET, lead wire	1	
42	09280-36001	O RING (D:2.4, ID:36.2)	1	
43	09138-05003	SCREW	2	
44	09209-05011	CONTACT	1	
45	09440-04010	SPRING	1	

GSX-R750M E28

GSX-R750M E28

AIR CLEANER...C-5	COWLING BODY...H-8	ELECTRICAL...E-6	FR MASTER CYL...G-12	MUFFLER...E-8	RR MASTER CYL...H-7	STARTING MOTOR...E-2
ALTERNATOR...E-3	COWLING FIT SET...H-11	FOOTREST...F-4	FR WHEEL...G-7	OIL COOLER...C-6	RR SWINGING ARM...H-2	STEERING DAMPER...G-5
BATTERY...E-5	CRANKCASE...B-5	FRAME...F-2	FUEL COCK...F-6	OIL PAN...C-7	RR WHEEL...H-5	STEERING STEM...G-4
CAM CHAIN...B-14	CRANKCASE COVER...B-7	FRAME COVER...F-8	FUEL TANK...F-5	OIL PUMP...B-9	SEAT...F-7	TAIL LAMP...E-10
CAM SHAFT...B-12	CRANKSHAFT...B-10	FR BRAKE HOSE...G-11	GEAR SHIFTING...D-5	OPTIONAL...H-13	SIGNAL GENERATOR...E-4	TRANSMISSION...D-3
CARBURETOR...C-2	CYLINDER...B-4	FR CALIPERS...G-10	HANDLE SWITCH...G-9	RR CALIPER...H-6	SPEEDOMETER...E-7	TURNSIGNAL LAMP...E-9
CARBURETOR FIT...C-4	CYLINDER HEAD...B-3	FR DAMPER...G-2	HANDLEBAR...G-8	RR CUSHION LEVER...H-3	STAND...F-3	WIRING HARNESS...E-11
CLUTCH...D-2	CYL HEAD COVER...B-2	FR FENDER...G-6	HEADLAMP...E-8	RR FENDER...H-4	STARTER CLUTCH...B-11	

<p>STARTING MOTOR</p> 	<p>E-2-ALTERNATOR</p> 	<p>E-3-SIGNAL GENERATOR</p> 	<p>E-4-BATTERY</p> 	<p>E-5-ELECTRICAL</p> 	<p>E-6-SPEEDOMETER</p> 
<p>HEADLAMP</p> 	<p>E-8-TURNSIGNAL LAMP</p> 	<p>E-9-TAIL LAMP</p> 	<p>E-10-WIRING HARNESS</p> 		

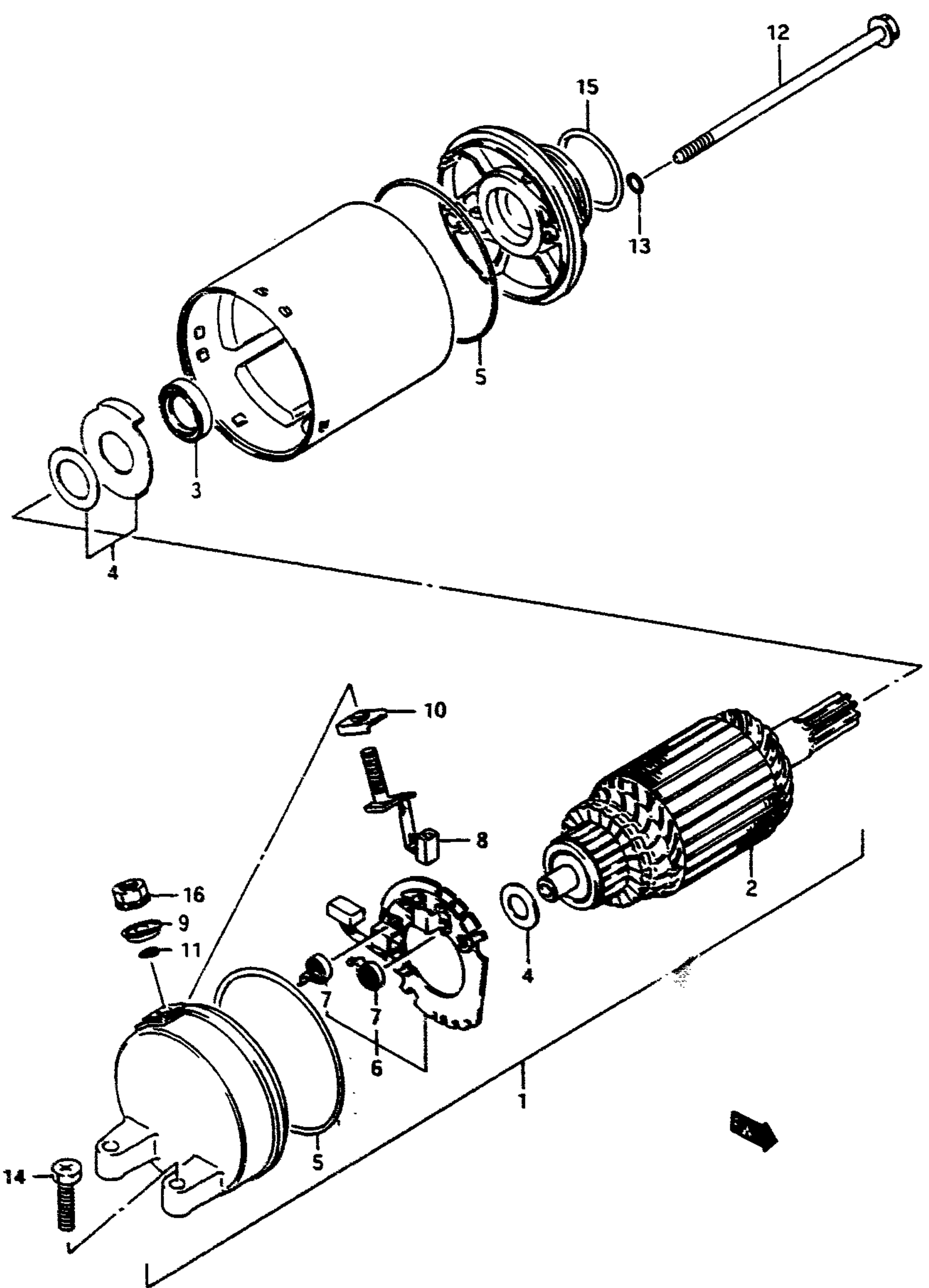
AIR CLEANER...C-5	CONVING BODY...H-8	ELECTRICAL...E-6	FR MASTER CYL...G-12	MUFFLER...E-3	RR MASTER CYL...H-7	STARTING MOTOR...E-2
ALTERNATOR...E-3	CONVING FIT SET...H-11	FOOTREST...F-4	FR WHEEL...G-7	OIL COOLER...C-6	RR SWINGING ARM...H-2	STEERING DAMPER...G-5
BATTERY...E-5	CRANKCASE...B-5	FRAME...F-2	FUEL COCK...F-6	OIL PAN...C-7	RR WHEEL...H-5	STEERING STEM...G-4
CAM CHAIN...B-14	CRANKCASE COVER...B-7	FRAME COVER...F-8	FUEL TANK...F-5	OIL PUMP...B-9	SEAT...F-7	TAIL LAMP...E-10
CAM SHAFT...B-12	CRANKSHAFT...B-10	FR BRAKE HOSE...G-11	GEAR SHIFTING...D-5	OPTIONAL...H-13	SIGNAL GENERATOR...E-4	TRANSMISSION...D-3
CARBURETOR...C-2	CYLINDER...B-4	FR CALIPERS...G-10	HANDLE SWITCH...G-9	RR CALIPER...H-6	SPEEDOMETER...E-7	TURNSIGNAL LAMP...E-9
CARBURETOR FIT...C-4	CYLINDER HEAD...B-3	FR DAMPER...G-2	HANDLEBAR...G-8	RR CUSHION LEVER...H-3	STAND...F-3	WIRING HARNESS...E-11
CLUTCH...D-2	CYL HEAD COVER...B-2	FR FENDER...G-6	HEADLAMP...E-8	RR FENDER...H-4	STARTER CLUTCH...B-11	

FIG.20

E - 2

25

FIG.20 (E- 2) STARTING MOTOR



REF.NO.	PART NO.	DESCRIPTION	Q'TY	REMARKS
1	31100-27A01-H17	MOTOR, starting	1	
2	31310-27A01-H17	.ARMATURE	1	
3	31153-43400	.OIL SEAL	1	
4	31170-43400	.SHIM SET	1	
5	31264-44110	.O RING	2	
6	31132-27A01	.BRUSH HOLDER ASSY	1	
7	31135-65010	..SPRING	2	
8	31130-38300	.BRUSH	1	
9	31172-38300	.BUSHING (A)	1	
10	31171-38300	.BUSHING (B)	1	
11	31143-38300	.O RING	1	
12	31281-88C00	.BOLT	2	
13	31156-38300	.O RING	2	
14	09128-06024	BOLT	2	
15	09280-24003	O RING	1	
16	08361-35066	NUT	1	

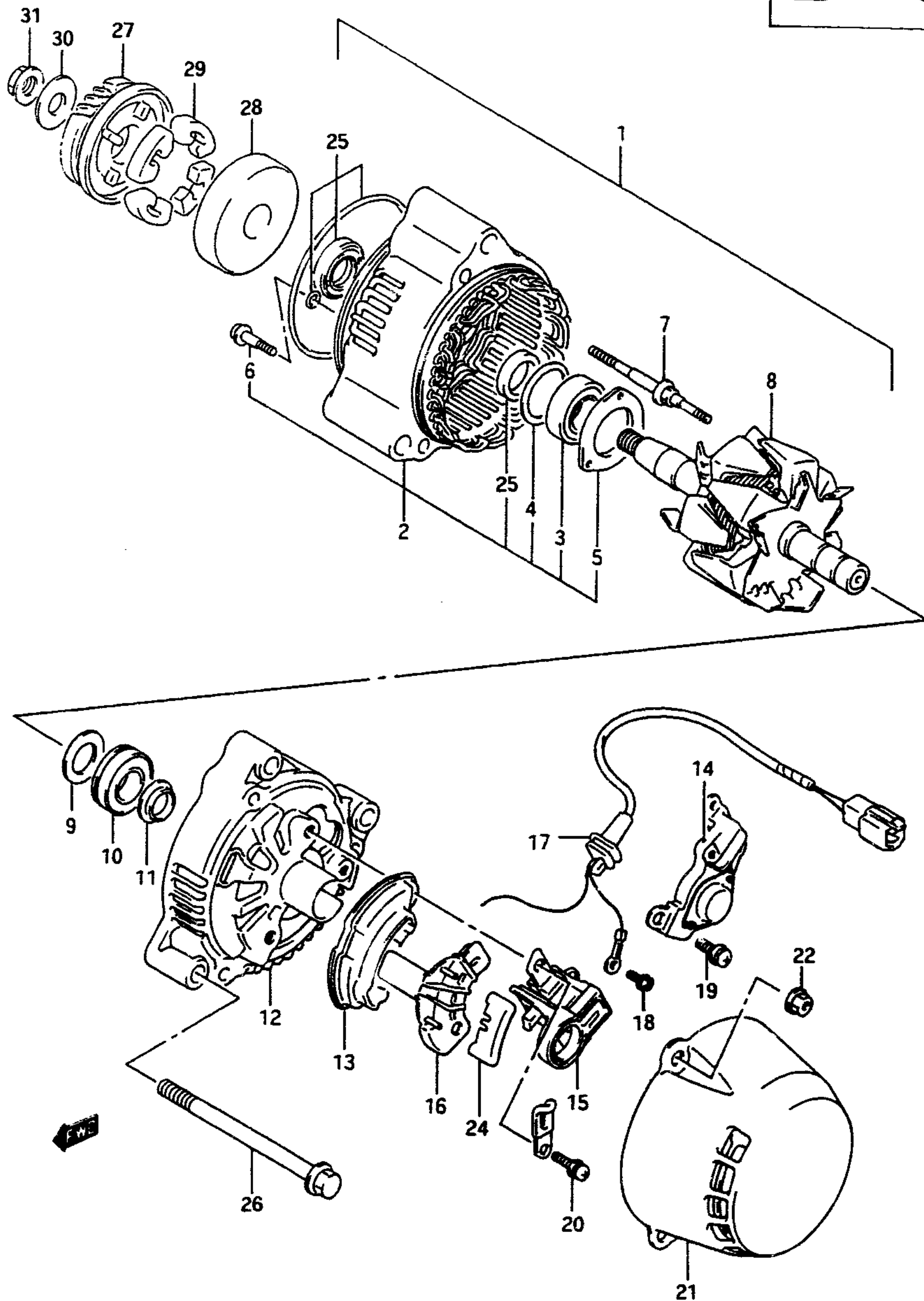
GSX-R750M E28

GSX-R750M E28

AIR CLEANER.....C-5	COWLING BODY.....H-8	ELECTRICAL.....E-6	FR MASTER CYL.....G-12	MUFFLER.....E-8	RR MASTER CYL.....H-7	STARTING MOTOR..E-2
ALTERNATOR.....E-3	COWLING FIT SET..H-11	FOOTREST.....F-4	FR WHEEL.....G-7	OIL COOLER.....C-6	RR SWINGING ARM..H-2	STEERING DAMPER..G-5
BATTERY.....E-5	CRANKCASE.....B-5	FRAME.....F-2	FUEL COCK.....F-6	OIL PAN.....C-7	RR WHEEL.....H-5	STEERING STEM...G-4
CAM CHAIN.....B-14	CRANKCASE COVER..B-7	FRAME COVER...F-8	FUEL TANK.....F-5	OIL PUMP.....B-9	SEAT.....F-7	TAIL LAMP.....E-10
CAM SHAFT.....B-12	CRANKSHAFT.....B-10	FR BRAKE HOSE..G-11	GEAR SHIFTING..D-5	OPTIONAL.....H-13	SIGNAL GENERATOR..E-4	TRANSMISSION....D-3
CARBURETOR.....C-2	CYLINDER.....B-4	FR CALIPERS...G-10	HANDLE SWITCH..G-9	RR CALIPER.....H-6	SPEEDOMETER.....E-7	URNSIGNAL LAMP..E-9
CARBURETOR FIT..C-4	CYLINDER HEAD...B-3	FR DAMPER.....G-2	HANDLEBAR.....G-8	RR CUSHION LEVER..H-3	STAND.....F-3	WIRING HARNESS..E-11
CLUTCH.....D-2	CYL HEAD COVER..B-2	FR FENDER.....G-6	HEADLAMP.....E-8	RR FENDER.....H-4	STARTER CLUTCH...B-11	

FIG.21

E - 3



26

FIG.21 (E- 3) ALTERNATOR

REF.NO.	PART NO.	DESCRIPTION	Q'TY	REMARKS
1	31400-48B03	ALTERNATOR ASSY	1	
2	31580-48B00	.FRAME, drive end	1	
3	31612-06B00	..BEARING	1	
4	31613-48B00	..COVER, bearing	1	
5	31585-48B00	..RETAINER, bearing	1	
6	31586-48B00	..SCREW, bearing retainer	3	
7	31587-19C00	..STUD BOLT	3	
8	31710-48B03	.ROTOR ASSY	1	
9	31613-82610	.COVER (1)	1	
10	31612-48B00	.BEARING	1	
11	31613-27A10	.COVER (2)	1	
12	31611-48B00	.FRAME, end	1	
13	31621-27A00	.HOLDER, rectifier	1	
14	32500-27A00	.REGULATOR	1	
15	31656-48B00	.HOLDER, brush	1	
16	31687-27A00	.COVER, rectifier	1	
17	31480-48B00	.LEAD WIRE	1	
18	31516-85250	.SCREW	2	
19	31688-27A00	.SCREW (5x17)	2	
20	31688-06B00	.SCREW (5x18)	1	
21	31614-48B00	.COVER	1	
22	08316-16055	.NUT	3	
23	31780-48B00	.OIL SEAL SET	1	
24	31514-27A00	.BUSH	1	
25	31776-06B00	.SPACER	1	
26	01517-08908	BOLT	3	
27	22730-19C01	GEAR, generator driven (NT:30)	1	
28	22733-27A04	HOUSING, damper	1	
29	21231-06B00	DAMPER	4	
30	08211-10283	WASHER	1	
31	08316-26106	NUT	1	

GSX-R750M E28

GSX-R750M E28

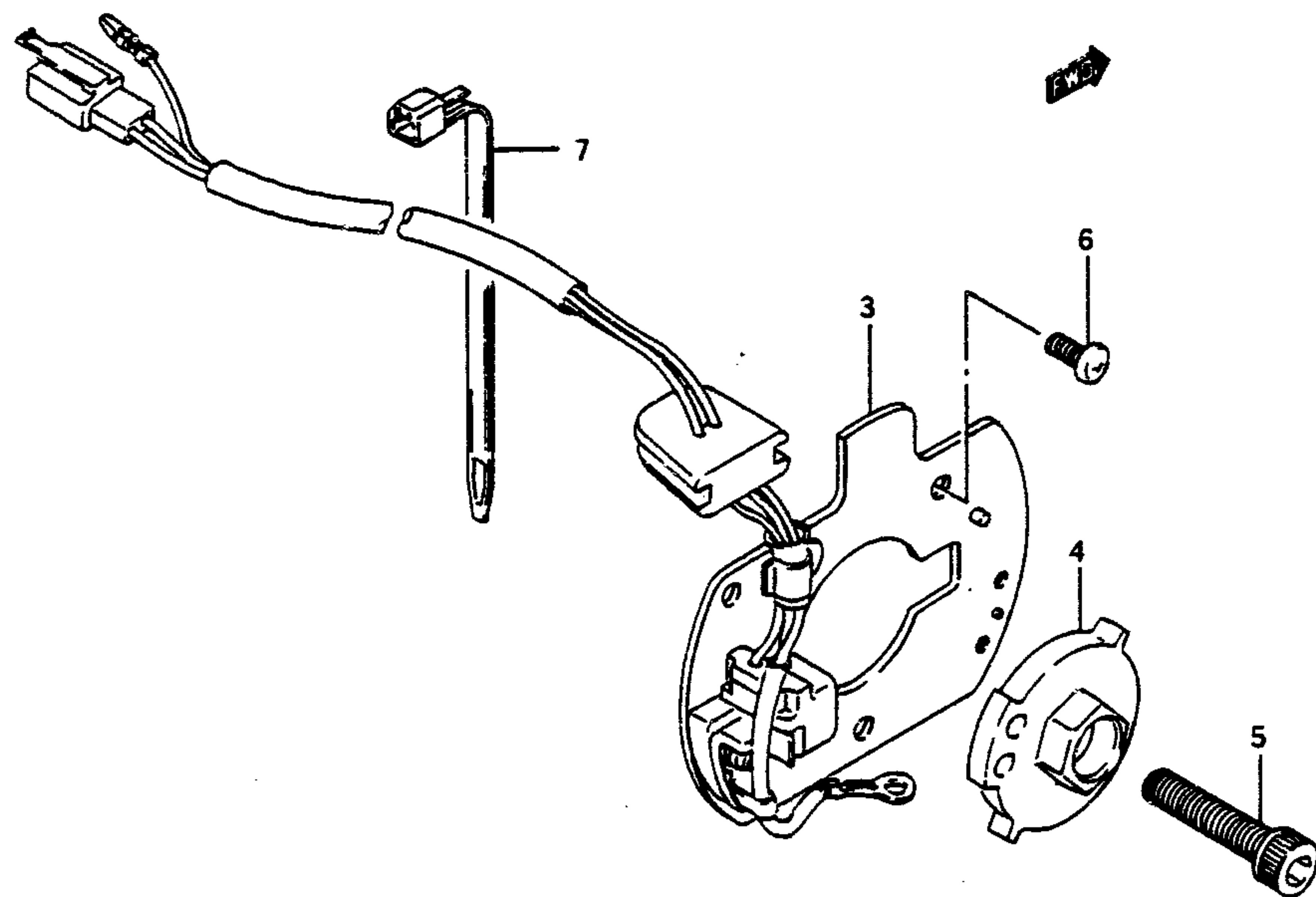
AIR CLEANER...C-5	COWLING BODY...H-8	ELECTRICAL...E-6	FR MASTER CYL...G-12	MUFFLER...E-8	RR MASTER CYL...H-7	STARTING MOTOR...E-2
ALTERNATOR...E-3	COWLING FIT SET...H-11	FOOTREST...F-4	FR WHEEL...G-7	OIL COOLER...C-6	RR SWINGING ARM...H-2	STEERING DAMPER...G-5
BATTERY...E-5	CRANKCASE...B-5	FRAME...F-2	FUEL COCK...F-6	OIL PAN...C-7	RR WHEEL...H-5	STEERING STEM...G-4
CAM CHAIN...B-14	CRANKCASE COVER...B-7	FRAME COVER...F-8	FUEL TANK...F-5	OIL PUMP...B-9	SEAT...F-7	TAIL LAMP...E-10
CAM SHAFT...B-12	CRANKSHAFT...B-10	FR BRAKE HOSE...G-11	GEAR SHIFTING...D-5	OPTIONAL...H-13	SIGNAL GENERATOR...E-4	TRANSMISSION...D-3
CARBURETOR...C-2	CYLINDER...B-4	FR CALIPERS...G-10	HANDLE SWITCH...G-9	RR CALIPER...H-6	SPEEDOMETER...E-7	TURNSIGNAL LAMP...E-9
CARBURETOR FIT...C-4	CYLINDER HEAD...B-3	FR DAMPER...G-2	HANDLEBAR...G-8	RR CUSHION LEVER...H-3	STAND...F-3	WIRING HARNESS...E-11
CLUTCH...D-2	CYL HEAD COVER...B-2	FR FENDER...G-6	HEADLAMP...E-8	RR FENDER...H-4	STARTER CLUTCH...B-11	

FIG.22

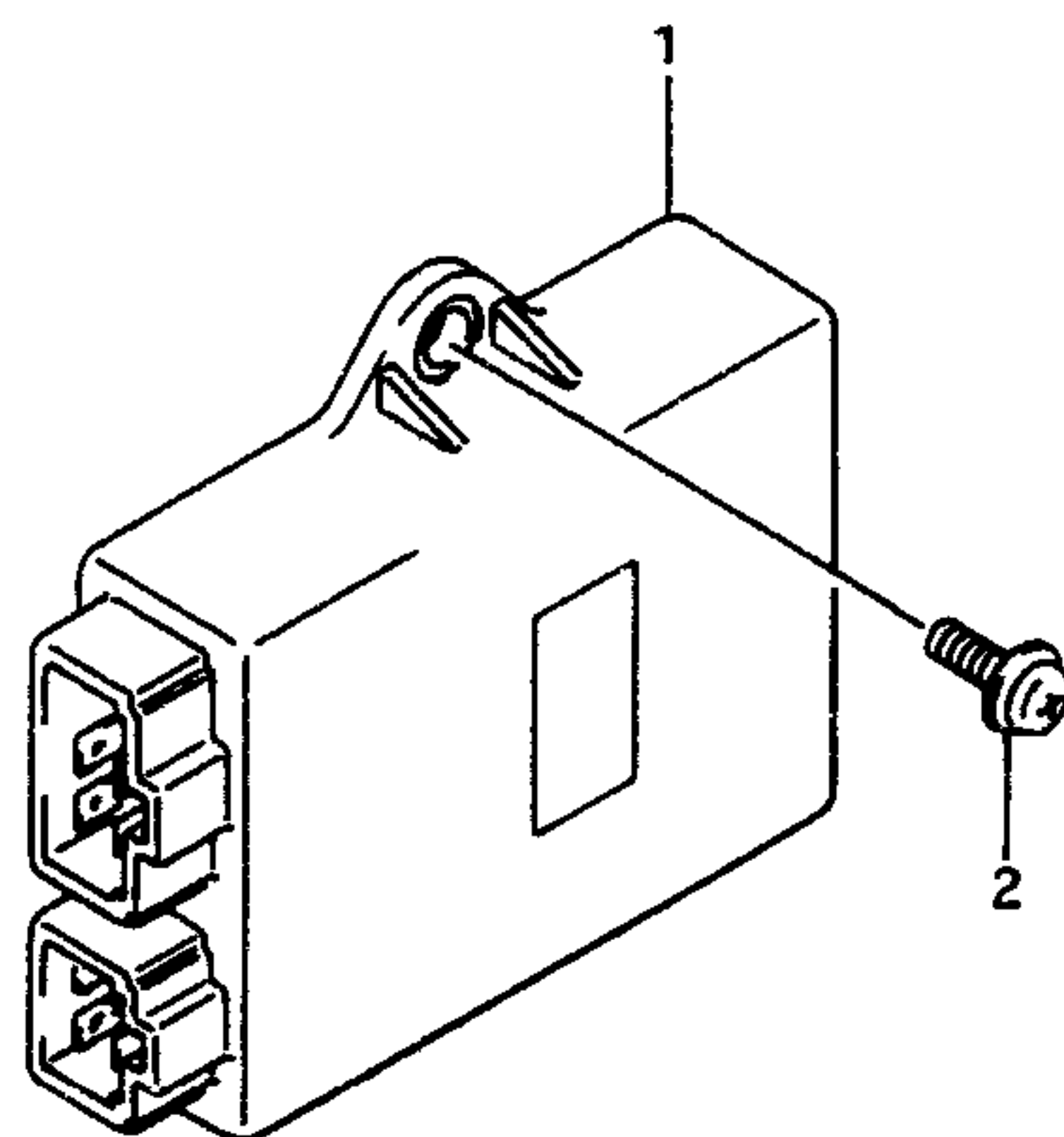
E - 4

27

FIG.22 (E- 4) SIGNAL GENERATOR



REF.NO.	PART NO.	DESCRIPTION	Q'TY	REMARKS
1	32900-17000	IGNITER UNIT	1	
2	02112-16126	SCREW	2	
3	33110-17C00	SIGNAL GENERATOR ASSY	1	
4	33120-19C00	ROTOR, signal	1	
5	07110-08306	BOLT	1	
6	02112-05107	SCREW	3	
7	09407-14403	CLAMP	2	



GSX-R750M E28

GSX-R750M E28

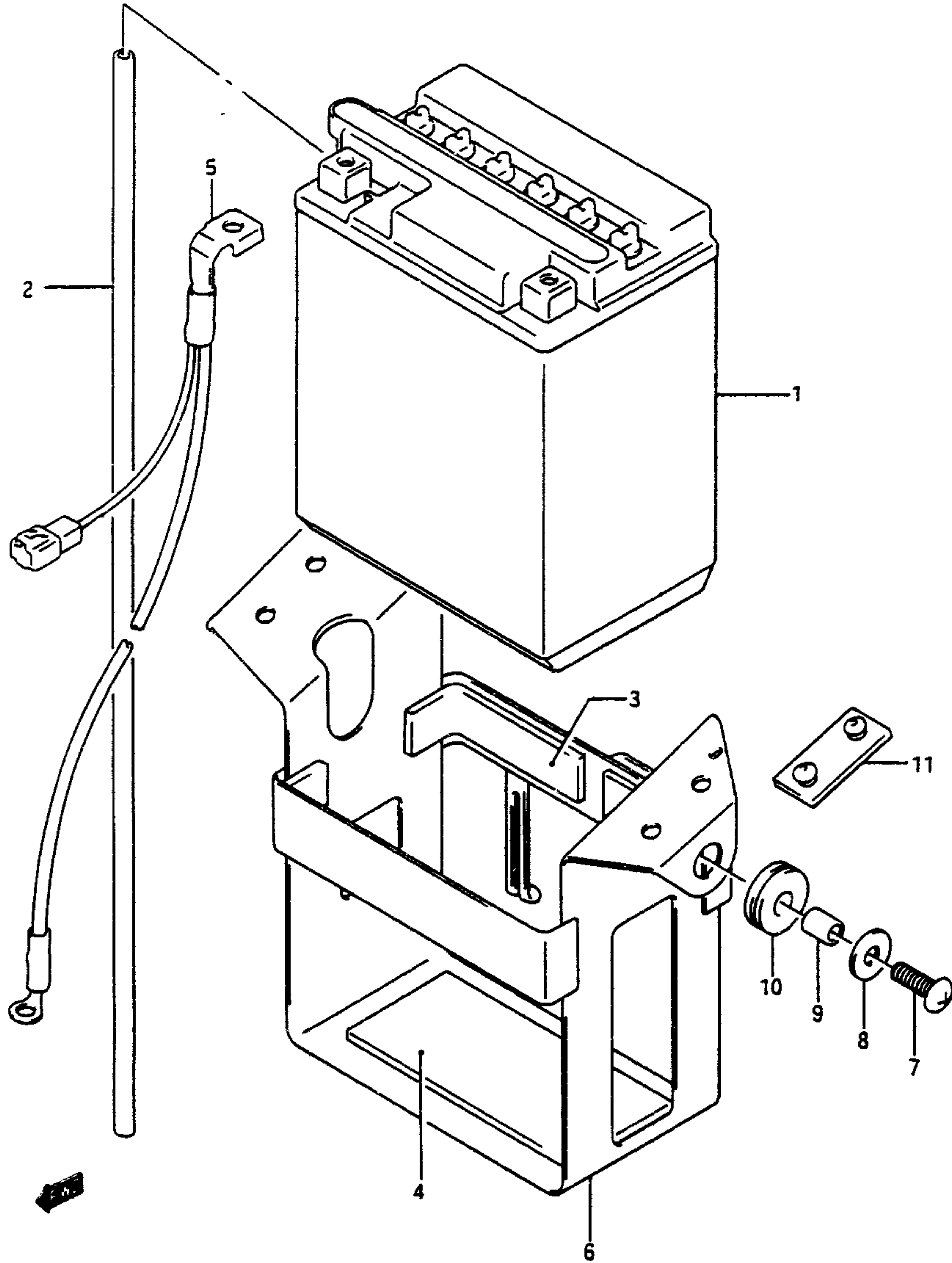
AIR CLEANER...C-5	COWLING BODY...H-8	ELECTRICAL...E-6	FR MASTER CYL.G-12	MUFFLER.....E-8	RR MASTER CYL...H-7	STARTING MOTOR..E-2
ALTERNATOR.....E-3	COWLING FIT SET.H-11	FOOTREST.....F-4	FR WHEEL.....G-7	OIL COOLER.....C-6	RR SWINGING ARM..H-2	STEERING DAMPER.G-5
BATTERY.....E-5	CRANKCASE.....B-5	FRAME.....F-2	FUEL COCK.....F-6	OIL PAN.....C-7	RR WHEEL.....H-5	STEERING STEM..G-4
CAM CHAIN.....B-14	CRANKCASE COVER.B-7	FRAME COVER...F-8	FUEL TANK.....F-5	OIL PUMP.....B-9	SEAT.....F-7	TAIL LAMP.....E-10
CAM SHAFT.....B-12	CRANKSHAFT.....B-10	FR BRAKE HOSE.G-11	GEAR SHIFTING.D-5	OPTIONAL.....H-13	SIGNAL GENERATOR.E-4	TRANSMISSION...D-3
CARBURETOR.....C-2	CYLINDER.....B-4	FR CALIPERS...G-10	HANDLE SWITCH.G-9	RR CALIPER.....H-6	SPEEDOMETER.....E-7	URNSIGNAL LAMP.E-9
CARBURETOR FIT.C-4	CYLINDER HEAD..B-3	FR DAMPER.....G-2	HANDLEBAR.....G-8	RR CUSHION LEVER.H-3	STAND.....F-3	WIRING HARNESS..E-11
CLUTCH.....D-2	CYL HEAD COVER..B-2	FR FENDER.....G-6	HEADLAMP.....E-8	RR FENDER.....H-4	STARTER CLUTCH...B-11	

FIG.23

E - 5

28

FIG.23 (E- 5) BATTERY



REF.NO.	PART NO.	DESCRIPTION	Q'TY	REMARKS
1	33610-49210	BATTERY (12V,14AH)	1	
2	33680-14A00	HOSE, battery exhaust	1	L:700→650
3	33652-29100	PROTECTOR (20x90)	4	
4	33651-37000	CUSHION	1	cut as required profile (50x115)
5	33860-17C02	LEAD WIRE (-)	1	
6	41540-17C02	HOLDER, battery	1	
7	09125-06038	SCREW (6x25)	2	
8	09160-06006	WASHER (6.5x18x1.6)	3	
9	09180-06152	SPACER (6.4x9x8.5)	2	
10	09320-09021	CUSHION	2	
11	09329-05005	CUSHION	2	

GSX-R750M E28

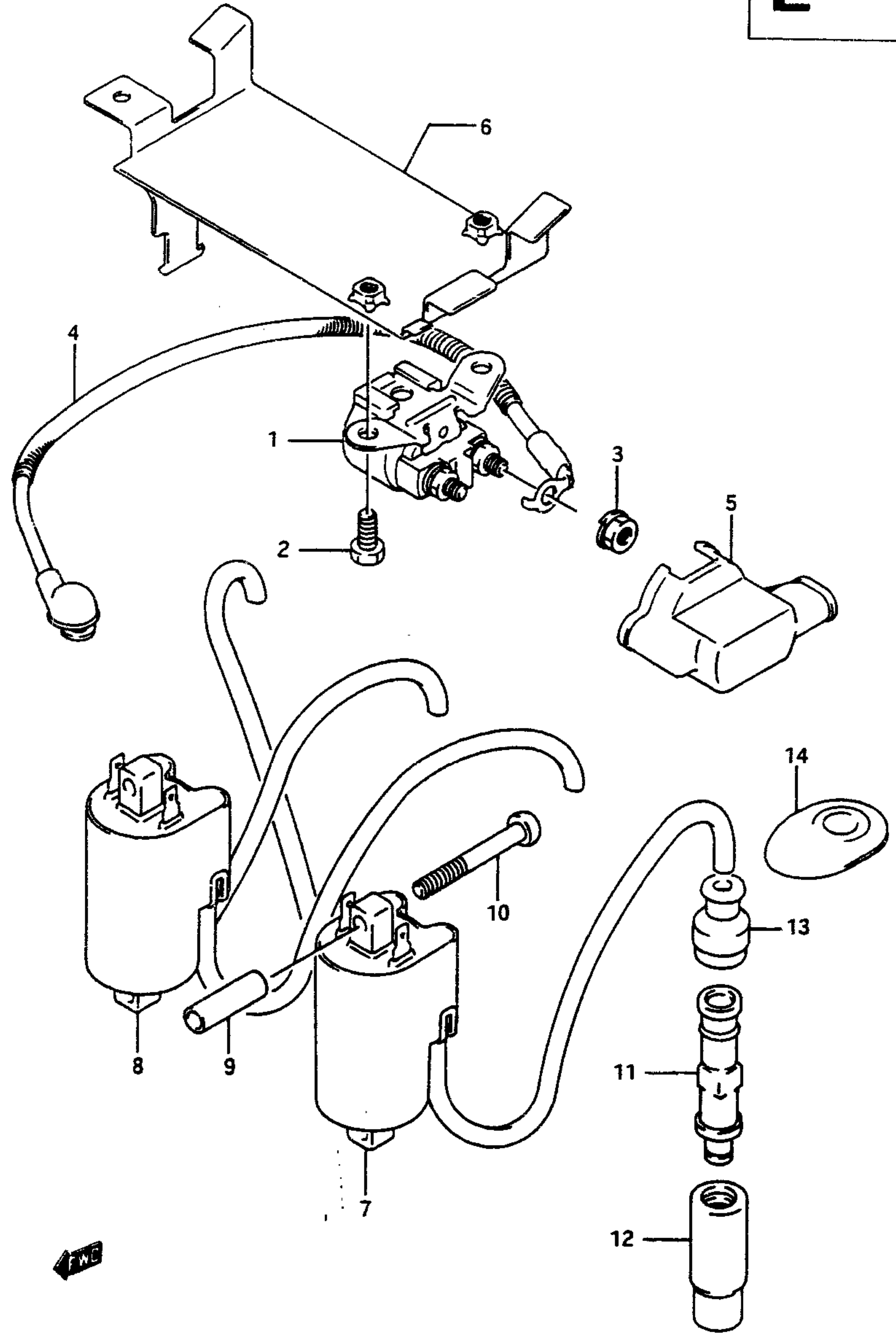
GSX-R750M E28

AIR CLEANER...C-5	COWLING BODY...H-8	ELECTRICAL...E-6	FR MASTER CYL...G-12	MUFFLER...E-8	RR MASTER CYL...H-7	STARTING MOTOR...E-2
ALTERNATOR...E-3	COWLING FIT SET...H-11	FOOTREST...F-4	FR WHEEL...G-7	OIL COOLER...C-6	RR SWINGING ARM...H-2	STEERING DAMPER...G-5
BATTERY...E-5	CRANKCASE...B-5	FRAME...F-2	FUEL COCK...F-6	OIL PAN...C-7	RR WHEEL...H-5	STEERING STEM...G-4
CAM CHAIN...B-14	CRANKCASE COVER...B-7	FRAME COVER...F-8	FUEL TANK...F-5	OIL PUMP...B-9	SEAT...F-7	TAIL LAMP...E-10
CAM SHAFT...B-12	CRANKSHAFT...B-10	FR BRAKE HOSE...G-11	GEAR SHIFTING...D-5	OPTIONAL...H-13	SIGNAL GENERATOR...E-4	TRANSMISSION...D-3
CARBURETOR...C-2	CYLINDER...B-4	FR CALIPERS...G-10	HANDLE SWITCH...G-9	RR CALIPER...H-6	SPEEDOMETER...E-7	TURN SIGNAL LAMP...E-9
CARBURETOR FIT...C-4	CYLINDER HEAD...B-3	FR DAMPER...G-2	HANDLEBAR...G-8	RR CUSHION LEVER...H-3	STAND...F-3	WIRING HARNESS...E-11
CLUTCH...D-2	CYL HEAD COVER...B-2	FR FENDER...G-6	HEADLAMP...E-8	RR FENDER...H-4	STARTER CLUTCH...B-11	

FIG.24

E - 6

FIG.24 (E- 6) ELECTRICAL



REF.NO.	PART NO.	DESCRIPTION	Q'TY	REMARKS
1	31800-49100	RELAY, starting motor	1	
2	09128-06013	SCREW (6x8)	2	
3	08361-35066	NUT	2	
4	33810-18000	LEAD WIRE, starting motor	1	
5	31861-10010	CAP, terminal	1	
6	47410-18000	HOLDER, electric parts	1	
7	33410-17C00	COIL, ignition No.1	1	
8	33420-17C00	COIL, ignition No.2	1	
9	09180-06146	SPACER (6.4x10x32)	4	
10	02112-06556	SCREW	4	
11	33510-07D00	CAP, spark plug	4	
12	33541-20C00	SEAL, plug	4	
13	33542-38B00	SEAL, hightension cord	4	
14	33543-48B00	COVER	4	

GSX-R750M E28

GSX-R750M E28

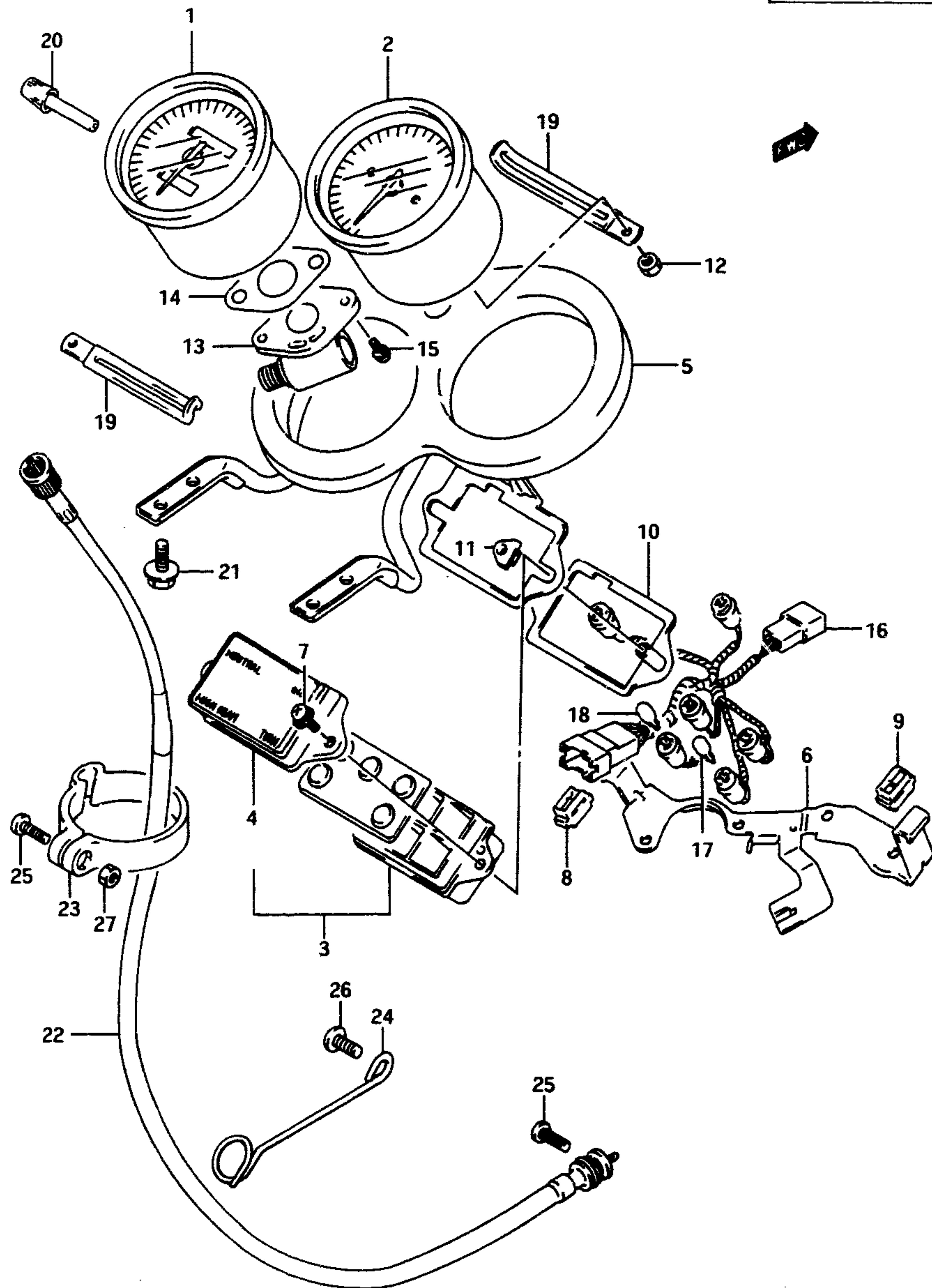
AIR CLEANER...C-5	COWLING BODY...H-8	ELECTRICAL...E-6	FR MASTER CYL...G-12	MUFFLER...E-8	RR MASTER CYL...H-7	STARTING MOTOR...E-2
ALTERNATOR...E-3	COWLING FIT SET...H-11	FOOTREST...F-4	FR WHEEL...G-7	OIL COOLER...C-6	RR SWINGING ARM...H-2	STEERING DAMPER...G-5
BATTERY...E-5	CRANKCASE...B-5	FRAME...F-2	FUEL COCK...F-6	OIL PAN...C-7	RR WHEEL...H-5	STEERING STEM...G-4
CAM CHAIN...B-14	CRANKCASE COVER...B-7	FRAME COVER...F-8	FUEL TANK...F-5	OIL PUMP...B-9	SEAT...F-7	TAIL LAMP...E-10
CAM SHAFT...B-12	CRANKSHAFT...B-10	FR BRAKE HOSE...G-11	GEAR SHIFTING...D-5	OPTIONAL...H-13	SIGNAL GENERATOR...E-4	TRANSMISSION...D-3
CARBURETOR...C-2	CYLINDER...B-4	FR CALIPERS...G-10	HANDLE SWITCH...G-9	RR CALIPER...H-6	SPEEDOMETER...E-7	URNSIGNAL LAMP...E-9
CARBURETOR FIT...C-4	CYLINDER HEAD...B-3	FR DAMPER...G-2	HANDLEBAR...G-8	RR CUSHION LEVER...H-3	STAND...F-3	WIRING HARNESS...E-11
CLUTCH...D-2	CYL HEAD COVER...B-2	FR FENDER...G-6	HEADLAMP...E-8	RR FENDER...H-4	STARTER CLUTCH...B-11	

FIG.25

E - 7

30

FIG.25 (E- 7) SPEEDOMETER



REF.NO.	PART NO.	DESCRIPTION	Q'TY	REMARKS
1	34110-07020	SPEEDOMETER (Mile/Kilo)	1	
2	34210-18000	TACHOMETER	1	
3	36380-32C10	BOX ASSY, pilot lamp	1	
4	36381-32C10	.CASE, upper	1	
5	34950-18000	PLATE, setting	1	
6	34111-17C00	BRACKET	1	
7	02112-74085	SCREW	2	
8	34189-17C00	DAMPER, LH	1	
9	34189-04A30	DAMPER, RH	1	
10	34718-32C00	PLATE, setting	1	
11	34716-32C00	DAMPER	2	
12	08310-11045	NUT	2	
13	34131-48B10	BOX, meter gear	1	
14	34132-17C00	GASKET	1	
15	02112-34128	SCREW	2	
16	34170-17C20	SOCKET	1	
17	09471-12103	BULB (12V,3W)	5	
18	09471-12108	BULB (12V,1.7W)	1	
19	09404-04402	CLAMP	1	
20	34124-49400	KNOB	1	
21	01517-06125	BOLT	4	
22	34910-41C00	CABLE ASSY, speedometer	1	
23	34938-17D51	CLAMP, cable No.2	1	
24	34939-17D00	CLAMP, cable No.3	1	
25	02112-05164	SCREW	2	
26	02142-06108	SCREW	1	
27	08310-11057	NUT	1	

GSX-R750M E28

GSX-R750M E28

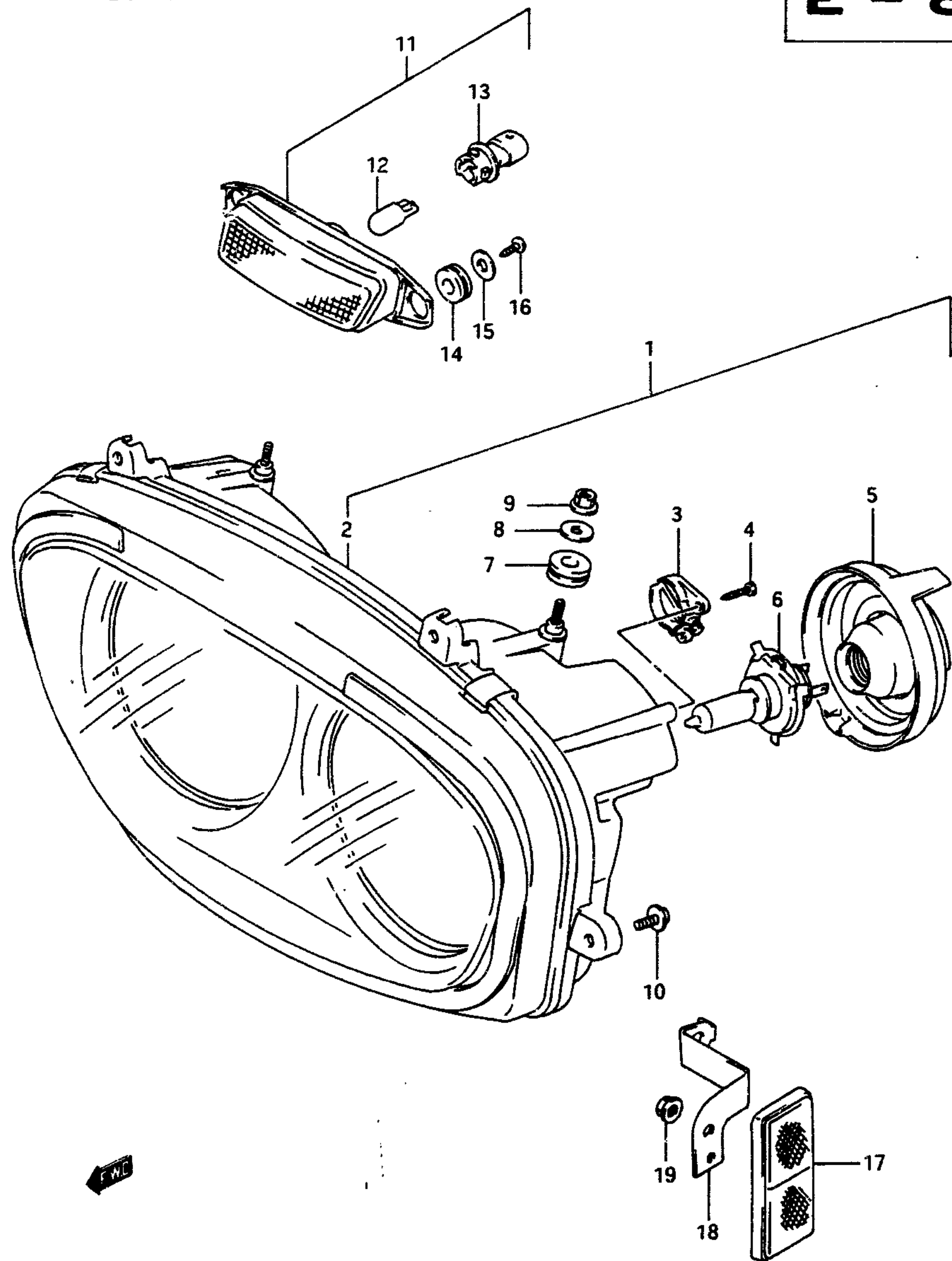
AIR CLEANER...C-5	COWLING BODY...H-8	ELECTRICAL...E-6	FR MASTER CYL...G-12	MUFFLER...E-8	RR MASTER CYL...H-7	STARTING MOTOR...E-2
ALTERNATOR...E-3	COWLING FIT SET...H-11	FOOTREST...F-4	FR WHEEL...G-7	OIL COOLER...C-6	RR SWINGING ARM...H-2	STEERING DAMPER...G-5
BATTERY...E-5	CRANKCASE...B-5	FRAME...F-2	FUEL COCK...F-6	OIL PAN...C-7	RR WHEEL...H-5	STEERING STEM...G-4
CAM CHAIN...B-14	CRANKCASE COVER...B-7	FRAME COVER...F-8	FUEL TANK...F-5	OIL PUMP...B-9	SEAT...F-7	TAIL LAMP...E-10
CAM SHAFT...B-12	CRANKSHAFT...B-10	FR BRAKE HOSE...G-11	GEAR SHIFTING...D-5	OPTIONAL...H-13	SIGNAL GENERATOR...E-4	TRANSMISSION...D-3
CARBURETOR...C-2	CYLINDER...B-4	FR CALIPERS...G-10	HANDLE SWITCH...G-9	RR CALIPER...H-6	SPEEDOMETER...E-7	TURN SIGNAL LAMP...E-9
CARBURETOR FIT...C-4	CYLINDER HEAD...B-3	FR DAMPER...G-2	HANDLEBAR...G-8	RR CUSHION LEVER...H-3	STAND...F-3	WIRING HARNESS...E-11
CLUTCH...D-2	CYL HEAD COVER...B-2	FR FENDER...G-6	HEADLAMP...E-8	RR FENDER...H-4	STARTER CLUTCH...B-11	

FIG. 26

E - 8

31

FIG. 26 (E- 8) HEADLAMP



REF.NO.	PART NO.	DESCRIPTION	Q'TY	REMARKS
1	35100-18000	HEADLAMP ASSY	1	
2	35121-18000	.UNIT, headlamp	1	
3	35250-33C10	.GEAR UNIT ASSY	4	
4	03511-04165	.SCREW	8	
5	35173-41C00	.COVER, socket	2	
6	09471-12060	.BULB (12V,60/55W)	2	
7	09320-09034	CUSHION	4	
8	09160-06092	WASHER	4	
9	08316-16064	NUT	4	
10	02112-75165	SCREW	6	
11	36110-18000	LAMP ASSY, front position	1	
12	09471-12081	.BULB (12V,5W)	1	
13	36118-41C00	.SOCKET	1	
14	09320-08051	CUSHION	2	
15	09160-04014	WASHER	2	
16	03541-04105	SCREW	2	
17	35950-43431	REFLEX REFLECTOR, front side	2	
18-1	35956-17D00	BRACKET, RH	1	
18-2	35957-17D00	BRACKET, LH	1	
19	08361-15055	NUT	2	

GSX-R750M E28

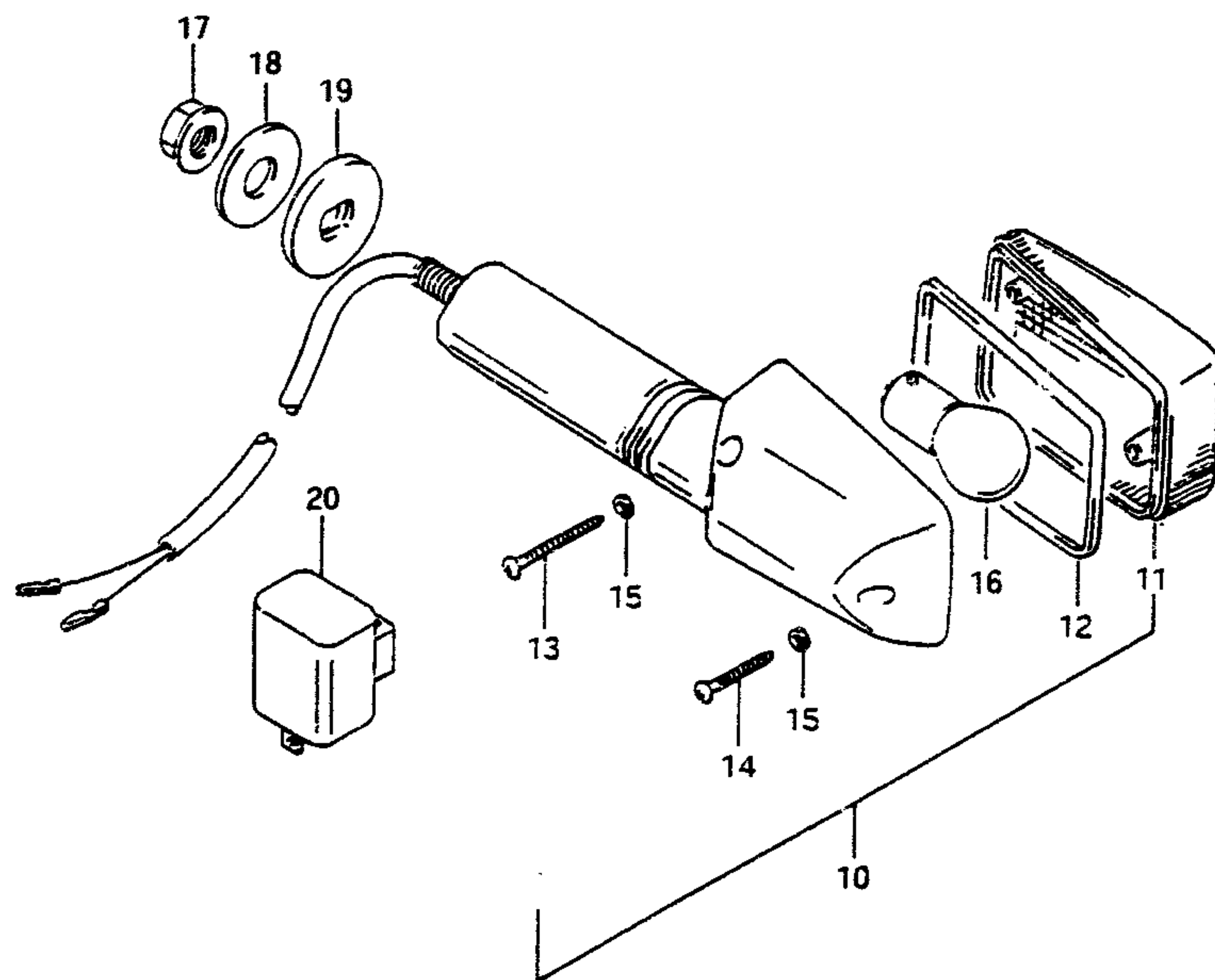
GSX-R750M E28

AIR CLEANER...C-5	COWLING BODY...H-8	ELECTRICAL...E-6	FR MASTER CYL...G-12	MUFFLER...E-8	RR MASTER CYL...H-7	STARTING MOTOR...E-2
ALTERNATOR...E-3	COWLING FIT SET...H-11	FOOTREST...F-4	FR WHEEL...G-7	OIL COOLER...C-6	RR SWINGING ARM...H-2	STEERING DAMPER...G-5
BATTERY...E-5	CRANKCASE...B-5	FRAME...F-2	FUEL COCK...F-6	OIL PAN...C-7	RR WHEEL...H-5	STEERING STEM...G-4
CAM CHAIN...B-14	CRANKCASE COVER...B-7	FRAME COVER...F-8	FUEL TANK...F-5	OIL PUMP...B-9	SEAT...F-7	TAIL LAMP...E-10
CAM SHAFT...B-12	CRANKSHAFT...B-10	FR BRAKE HOSE...G-11	GEAR SHIFTING...D-5	OPTIONAL...H-13	SIGNAL GENERATOR...E-4	TRANSMISSION...D-3
CARBURETOR...C-2	CYLINDER...B-4	FR CALIPERS...G-10	HANDLE SWITCH...G-9	RR CALIPER...H-6	SPEEDOMETER...E-7	TURNSIGNAL LAMP...E-9
CARBURETOR FIT...C-4	CYLINDER HEAD...B-3	FR DAMPER...G-2	HANDLEBAR...G-8	RR CUSHION LEVER...H-3	STAND...F-3	WIRING HARNESS...E-11
CLUTCH...D-2	CYL HEAD COVER...B-2	FR FENDER...G-6	HEADLAMP...E-8	RR FENDER...H-4	STARTER CLUTCH...B-11	

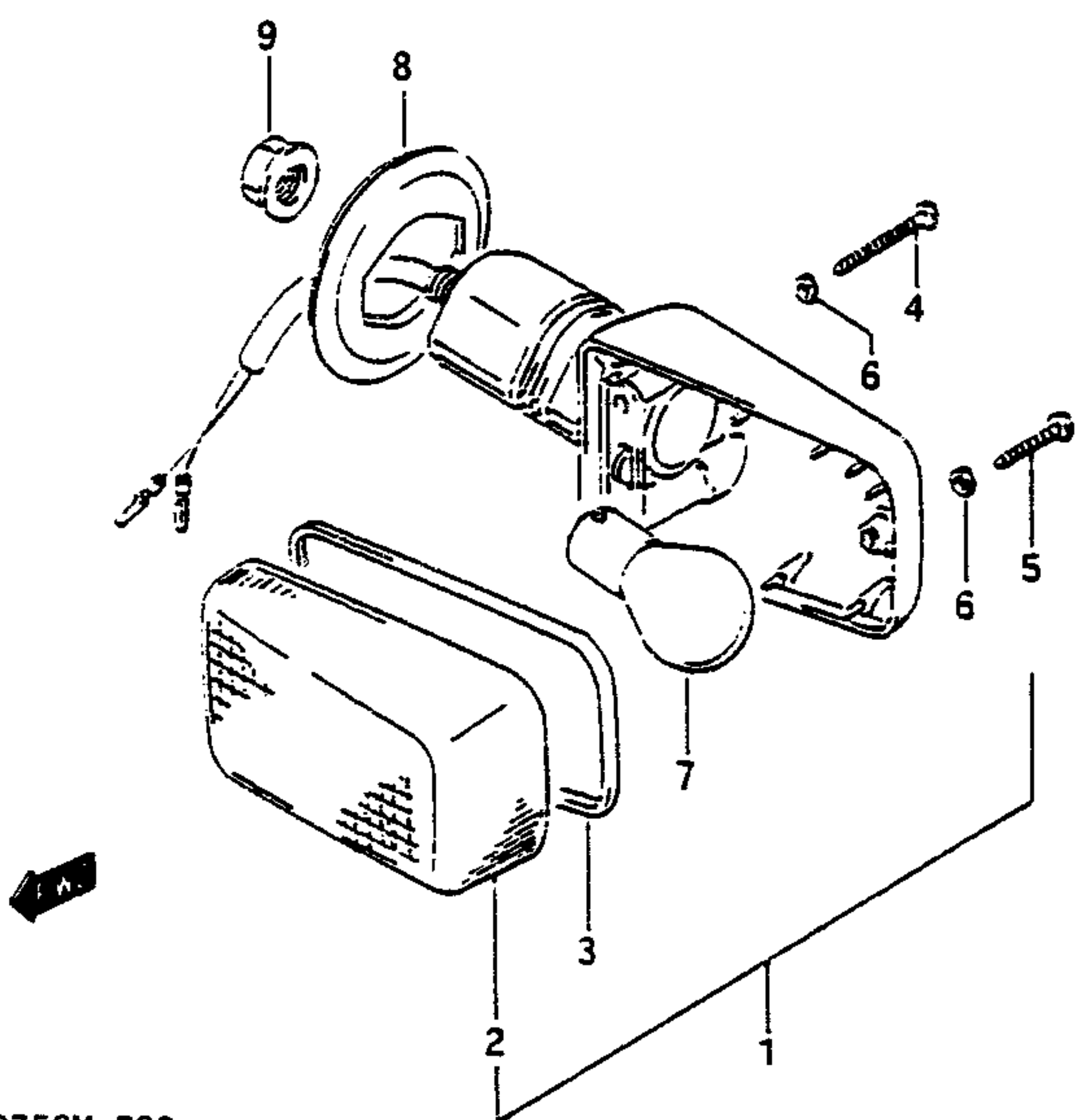
FIG. 27

E - 9

FIG. 27 (E- 9) TURNSIGNAL LAMP



REF.NO.	PART NO.	DESCRIPTION	Q'TY	REMARKS
1	35601-12C11	LAMP ASSY, front turnsignal	2	
2	35612-17C20	.LENS	2	
3	35613-27A00	.GASKET	2	
4	35623-27A00	.TAPPING SCREW	4	
5	35725-40511	.TAPPING SCREW	2	
6	35627-27A02	.GASKET	6	
7	09471-12045	.BULB (12V,21W)	2	
8	35674-27A01	GROMMET	2	
9	08316-26105	NUT	2	
10	35601-17C41	LAMP ASSY, rear turnsignal	2	
11	35612-17C20	.LENS	2	
12	35613-27A00	.GASKET	2	
13	35623-27A00	.TAPPING SCREW	4	
14	35725-40511	.TAPPING SCREW	2	
15	35627-27A02	.GASKET	6	
16	09471-12045	.BULB (12V,21W)	2	
17	08316-26105	NUT	2	
18	09160-10094	WASHER	2	
19	35695-17C00	SPACER	2	
20	38610-31310	RELAY ASSY, turnsignal	1	



GSX-R750M E28

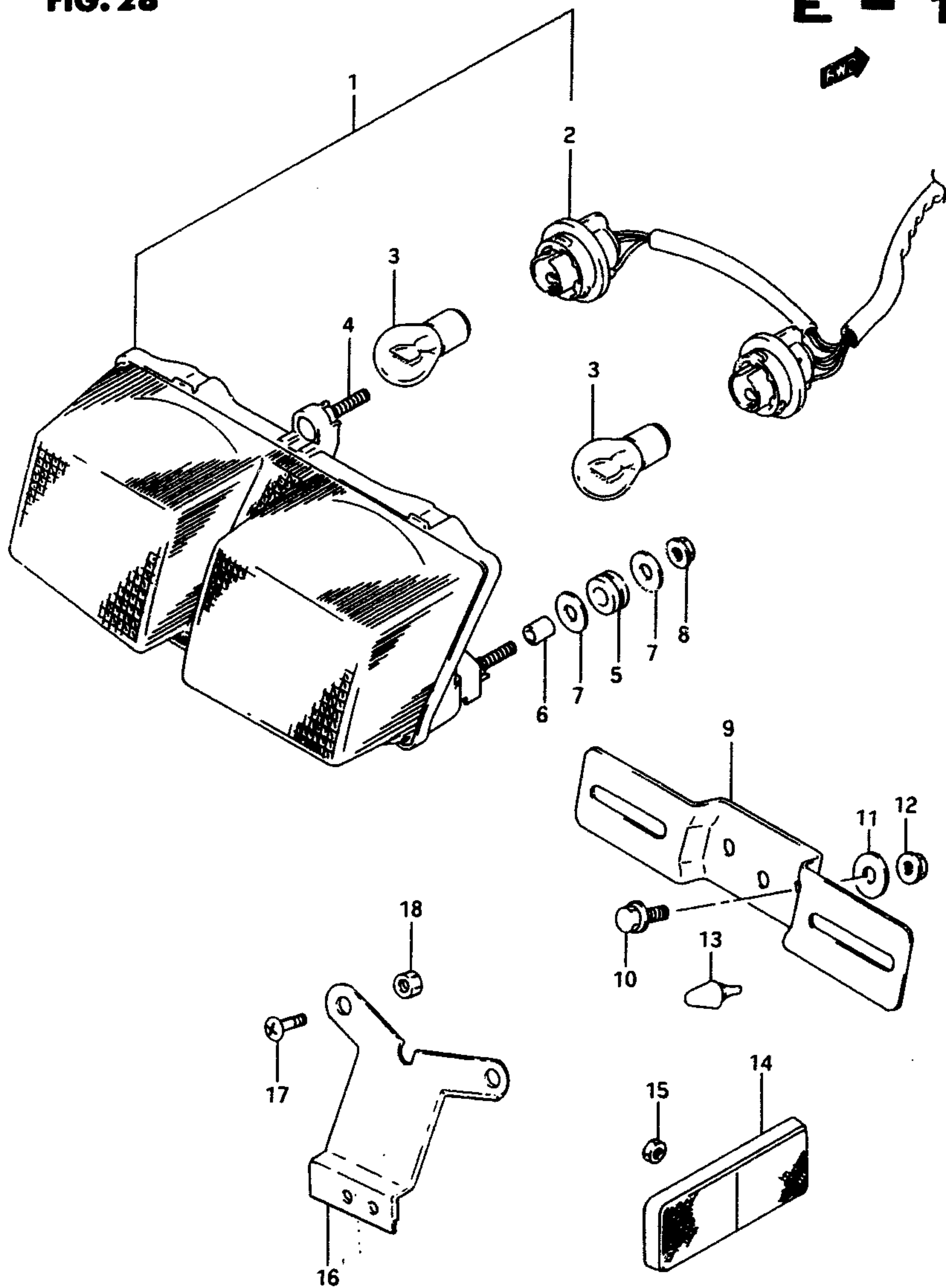
GSX-R750M E28

AIR CLEANER...C-5	COWLING BODY...H-8	ELECTRICAL...E-6	FR MASTER CYL...G-12	MUFFLER...E-8	RR MASTER CYL...H-7	STARTING MOTOR...E-2
ALTERNATOR...E-3	COWLING FIT SET...H-11	FOOTREST...F-4	FR WHEEL...G-7	OIL COOLER...C-6	RR SWINGING ARM...H-2	STEERING DAMPER...C-5
BATTERY...E-5	CRANKCASE...B-5	FRAME...F-2	FUEL COCK...F-6	OIL PAN...C-7	RR WHEEL...H-5	STEERING STEM...G-4
CAM CHAIN...B-14	CRANKCASE COVER...B-7	FRAME COVER...F-8	FUEL TANK...F-5	OIL PUMP...B-9	SEAT...F-7	TAIL LAMP...E-10
CAM SHAFT...B-12	CRANKSHAFT...B-10	FR BRAKE HOSE...G-11	GEAR SHIFTING...D-5	OPTIONAL...H-13	SIGNAL GENERATOR...E-4	TRANSMISSION...D-3
CARBURETOR...C-2	CYLINDER...B-4	FR CALIPERS...G-10	HANDLE SWITCH...G-9	RR CALIPER...H-6	SPEEDOMETER...E-7	TURNSIGNAL LAMP...E-9
CARBURETOR FIT...C-4	CYLINDER HEAD...B-3	FR DAMPER...G-2	HANDLEBAR...G-8	RR CUSHION LEVER...H-3	STAND...F-3	WIRING HARNESS...E-11
CLUTCH...D-2	CYL HEAD COVER...B-2	FR FENDER...G-6	HEADLAMP...E-8	RR FENDER...H-4	STARTER CLUTCH...B-11	

FIG. 28

E - 10

FIG. 28 (E-10) TAIL LAMP



REF.NO.	PART NO.	DESCRIPTION	Q'TY	REMARKS
1	35710-18030	LAMP ASSY, rear combination	1	
2	35718-41C00	.SOCKET & CORD	1	
3	09471-12083	.BULB (12V,21/5W)	2	
4	01107-06307	.BOLT	3	
5	09320-08048	CUSHION	3	
6	09180-06044	SPACER	3	
7	09160-06056	WASHER	6	
8	08316-26066	NUT	3	
9	35927-00A10	BRACKET, license plate	1	
10	01517-06164	BOLT	2	
11	09160-06059	WASHER	2	
12	08316-26066	NUT	2	
13	09321-06023	CUSHION	1	
14	35970-00A21	REFLEX REFLECTOR, rear side	3	
15	08310-22055	NUT	3	
16	35974-18D00	BRACKET, rear reflector	1	
17	02142-06125	SCREW	2	
18	08316-26065	NUT	2	

GSX-R750M E28

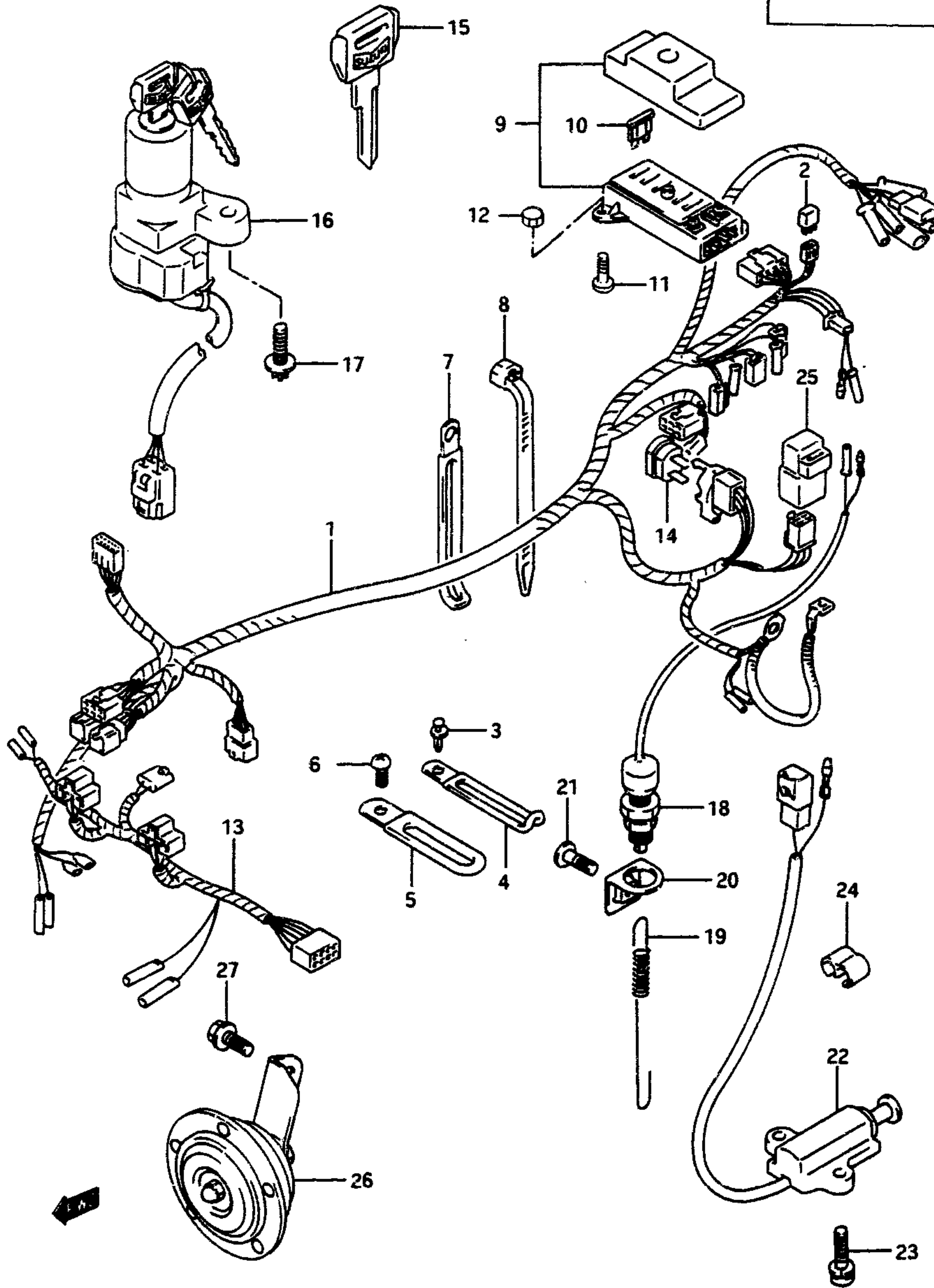
GSX-R750M E28

AIR CLEANER.....C-5	COWLING BODY.....H-8	ELECTRICAL.....E-6	FR MASTER CYL.....G-12	MUFFLER.....E-8	RR MASTER CYL.....H-7	STARTING MOTOR...E-2
ALTERNATOR.....E-3	COWLING FIT SET..H-11	FOOTREST.....F-4	FR WHEEL.....G-7	OIL COOLER.....C-6	RR SWINGING ARM..H-2	STEERING DAMPER..G-5
BATTERY.....E-5	CRANKCASE.....B-5	FRAME.....F-2	FUEL COCK.....F-6	OIL PAN.....C-7	RR WHEEL.....H-5	STEERING STEM...G-4
CAM CHAIN.....B-14	CRANKCASE COVER..B-7	FRAME COVER...F-8	FUEL TANK.....F-5	OIL PUMP.....B-9	SEAT.....F-7	TAIL LAMP.....E-10
CAM SHAFT.....B-12	CRANKSHAFT.....B-10	FR BRAKE HOSE..G-11	GEAR SHIFTING..D-5	OPTIONAL.....H-13	SIGNAL GENERATOR..E-4	TRANSMISSION.....D-3
CARBURETOR.....C-2	CYLINDER.....B-4	FR CALIPERS...G-10	HANDLE SWITCH..G-9	RR CALIPER.....H-6	SPEEDOMETER.....E-7	TURN SIGNAL LAMP..E-9
CARBURETOR FIT..C-4	CYLINDER HEAD...B-3	FR DAMPER.....G-2	HANDLEBAR.....G-8	RR CUSHION LEVER..H-3	STAND.....F-3	WIRING HARNESS...E-11
CLUTCH.....D-2	CYL HEAD COVER..B-2	FR FENDER.....G-6	HEADLAMP.....E-8	RR FENDER.....H-4	STARTER CLUTCH...B-11	

FIG. 29

E - 11

FIG. 29 (E-11) WIRING HARNESS

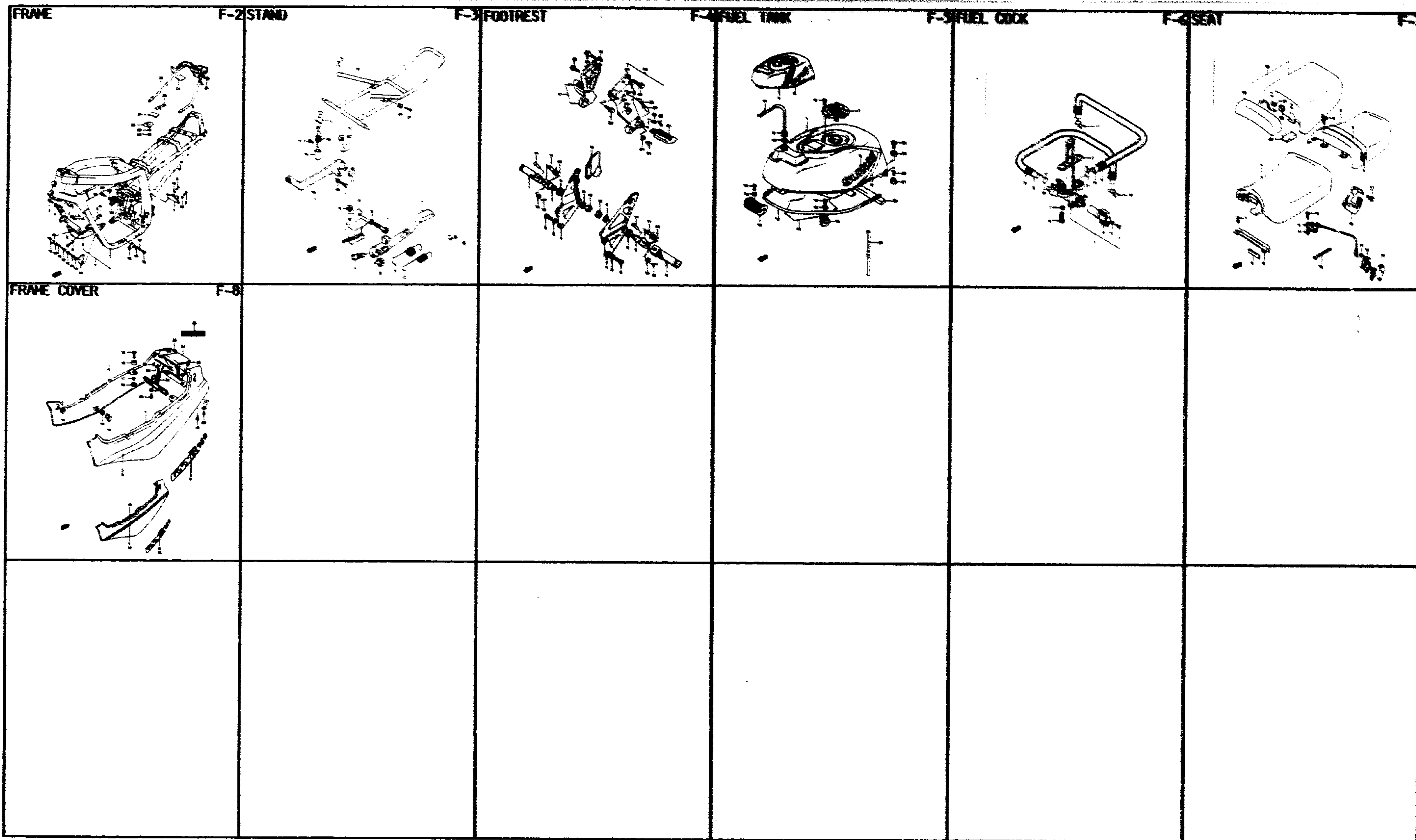


REF. NO.	PART NO.	DESCRIPTION	Q'TY	REMARKS
1	36610-18030	HARNES, wiring	1	
2	36611-38A00	.DIODE	1	
3	09409-07305	CLIP	1	
4-1	09404-06403	CLAMP (L:55)	2	
4-2	09404-06404	CLAMP (L:80)	4	
5	09404-05403	CLAMP (L:67)	1	
6	02142-05128	SCREW	1	
7	09404-06415	CLAMP (L:95)	1	
8-1	09407-10404	CLAMP	1	
8-2	09407-14403	CLAMP (L:125)	9	
8-3	09407-18402	CLAMP (L:165)	5	
8-4	09407-25401	CLAMP	4	
9	36740-17000	FUSE BOX ASSY	1	
10-1	09481-10101	.FUSE (10A)	5	
10-2	09481-20101	.FUSE (20A)	1	
11	09125-06009	SCREW	2	
12	08313-21064	NUT	2	
13	36856-18000	WIRE, headlamp lead	1	
14	36750-05A00	BREAKER ASSY, circuit	1	
15	37146-03A80	KEY, blank	2	OPT
16	37100-17C02	SWITCH ASSY, ignition	1	
17	09139-06026	BOLT	2	
18	37740-04A10	SWITCH ASSY, stop lamp	1	
19	09443-06012	SPRING	1	
20	43251-17C01	BRACKET, switch	1	
21	09139-06027	BOLT	1	
22	37840-17C01	SWITCH ASSY, side stand	1	
23	02112-36165	SCREW	2	
24	09408-00002	CLIP	1	
25	38740-24B10	RELAY ASSY. side stand	1	
26	38500-18000	HORN ASSY	1	
27	01517-06105	BOLT	2	

GSX-R750M E28

GSX-R750M E28

AIR CLEANER.....C-5	COWLING BODY.....H-8	ELECTRICAL.....E-6	FR MASTER CYL.....G-12	MUFFLER.....E-8	RR MASTER CYL.....H-7	STARTING MOTOR..E-2
ALTERNATOR.....E-3	COWLING FIT SET..H-11	FOOTREST.....F-4	FR WHEEL.....G-7	OIL COOLER.....C-6	RR SWINGING ARM..H-2	STEERING DAMPER..G-5
BATTERY.....E-5	CRANKCASE.....B-5	FRAME.....F-2	FUEL COCK.....F-6	OIL PAN.....C-7	RR WHEEL.....H-5	STEERING STEM...G-4
CAM CHAIN.....B-14	CRANKCASE COVER..B-7	FRAME COVER...F-8	FUEL TANK.....F-5	OIL PUMP.....B-9	SEAT.....F-7	TAIL LAMP.....E-10
CAM SHAFT.....B-12	CRANKSHAFT.....B-10	FR BRAKE HOSE..G-11	GEAR SHIFTING..D-5	OPTIONAL.....H-13	SIGNAL GENERATOR..E-4	TRANSMISSION....D-3
CARBURETOR.....C-2	CYLINDER.....B-4	FR CALIPERS...G-10	HANDLE SWITCH..G-9	RR CALIPER.....H-6	SPEEDOMETER.....E-7	URNSIGNAL LAMP..E-9
CARBURETOR FIT..C-4	CYLINDER HEAD...B-3	FR DAMPER.....G-2	HANDLEBAR.....G-8	RR CUSHION LEVER..H-3	STAND.....F-3	WIRING HARNESS..E-11
CLUTCH.....D-2	CYL HEAD COVER..B-2	FR FENDER.....G-6	HEADLAMP.....E-8	RR FENDER.....H-4	STARTER CLUTCH...B-11	



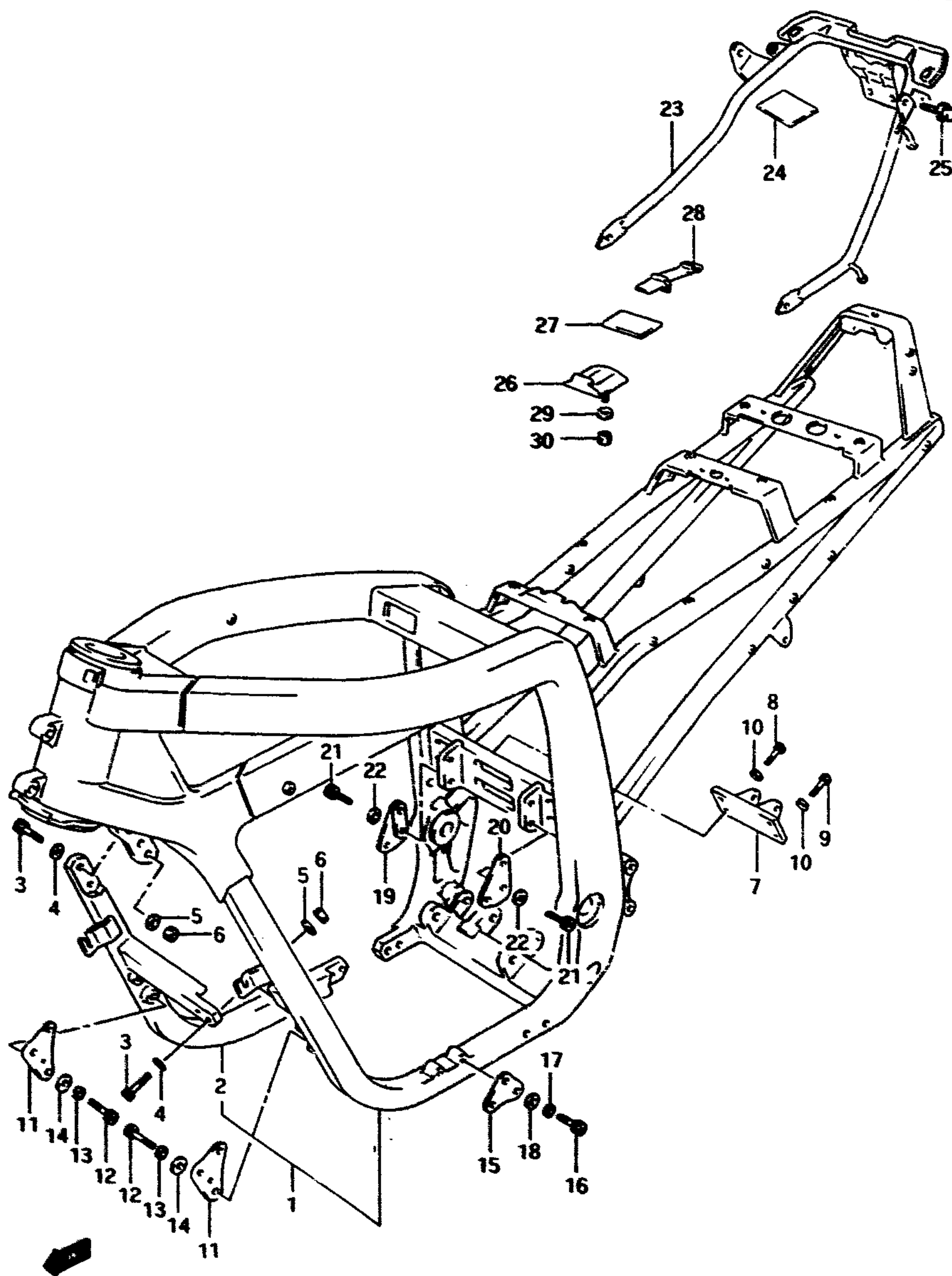
AIR CLEANER.....C-5	COWLING BODY.....H-8	ELECTRICAL.....E-6	FR MASTER CYL.....G-12	MUFFLER.....E-8	RR MASTER CYL.....H-7	STARTING MOTOR..E-2
ALTERNATOR.....E-3	COWLING FIT SET..H-11	FOOTREST.....F-4	FR WHEEL.....G-7	OIL COOLER.....C-6	RR SWINGING ARM..H-2	STEERING DAMPER..G-5
BATTERY.....E-5	CRANKCASE.....B-5	FRAME.....F-2	FUEL COCK.....F-6	OIL PAN.....C-7	RR WHEEL.....H-5	STEERING STEM...G-4
CAM CHAIN.....B-14	CRANKCASE COVER..B-7	FRAME COVER...F-8	FUEL TANK.....F-5	OIL PUMP.....B-9	SEAT.....F-7	TAIL LAMP.....E-10
CAM SHAFT.....B-12	CRANKSHAFT.....B-10	FR BRAKE HOSE..G-11	GEAR SHIFTING..D-5	OPTIONAL.....H-13	SIGNAL GENERATOR..E-4	TRANSMISSION....D-3
CARBURETOR.....C-2	CYLINDER.....B-4	FR CALIPERS...G-10	HANDLE SWITCH..G-9	RR CALIPER.....H-6	SPEEDOMETER.....E-7	TURNSIGNAL LAMP..E-9
CARBURETOR FIT..C-4	CYLINDER HEAD...B-3	FR DAMPER.....G-2	HANDLEBAR.....G-8	RR CUSHION LEVER..H-3	STAND.....F-3	WIRING HARNESS..E-11
CLUTCH.....D-2	CYL HEAD COVER..B-2	FR FENDER.....G-6	HEADLAMP.....E-8	RR FENDER.....H-4	STARTER CLUTCH...B-11	

FIG.30

F - 2

35

FIG.30 (F- 2) FRAME



REF.NO.	PART NO.	DESCRIPTION	Q'TY	REMARKS
1	41100-18840	FRAME SET	1	
2	41140-17000	.TUBE, frame down RH	1	
3	07110-10357	.BOLT	6	
4	09160-10013	.WASHER	6	
5	09164-10005	.WASHER	6	
6	09159-10027	.NUT	6	
7	41384-17060	BRACKET, rear cushion unit	1	
8	09106-10017	BOLT, No.1	2	
9	07110-10357	BOLT, No.2	2	
10	09164-10005	WASHER	4	
11	41911-40C00	PLATE, engine mount No.1	2	
12	07110-08257	BOLT	4	
13	08321-31087	LOCK WASHER	4	
14	09160-08010	WASHER (8.2x20x1.6)	4	
15	41921-17C02	PLATE, engine mount No.2	2	
16	07110-08257	BOLT	4	
17	08321-31087	LOCK WASHER	4	
18	09160-08010	WASHER (8.2x20x1.6)	4	
19	41940-40C01	PLATE, engine mount No.3 RH	1	
20	41950-40C01	PLATE, engine mount No.3 LH	1	
21	09106-08005	BOLT	4	
22	09160-08010	WASHER	4	
23	43980-18030	GRIP, rear	1	
24	41861-06C00	PROTECTOR	1	
25	01517-08207	BOLT	2	
26	41550-49200	HOLDER, tool	1	
27	44885-38A00	CUSHION	2	
28	09462-00093	BAND, tool	1	
29	09160-06006	WASHER	2	
30	08319-21068	NUT	2	

GSX-R750M E28

GSX-R750M E28

AIR CLEANER.....C-5	COWLING BODY.....H-8	ELECTRICAL.....E-6	FR MASTER CYL.G-12	MUFFLER.....E-8	RR MASTER CYL....H-7	STARTING MOTOR..E-2
ALTERNATOR.....E-3	COWLING FIT SET.H-11	FOOTREST.....F-4	FR WHEEL.....G-7	OIL COOLER.....C-6	RR SWINGING ARM..H-2	STEERING DAMPER.G-5
BATTERY.....E-5	CRANKCASE.....B-5	FRAME.....F-2	FUEL COCK.....F-6	OIL PAN.....C-7	RR WHEEL.....H-5	STEERING STEM..G-4
CAM CHAIN.....B-14	CRANKCASE COVER.B-7	FRAME COVER...F-8	FUEL TANK.....F-5	OIL PUMP.....B-9	SEAT.....F-7	TAIL LAMP.....E-10
CAM SHAFT.....B-12	CRANKSHAFT.....B-10	FR BRAKE HOSE.G-11	GEAR SHIFTING.D-5	OPTIONAL.....H-13	SIGNAL GENERATOR.E-4	TRANSMISSION...D-3
CARBURETOR.....C-2	CYLINDER.....B-4	FR CALIPERS...G-10	HANDLE SWITCH.G-9	RR CALIPER.....H-6	SPEEDOMETER.....E-7	URNSIGNAL LAMP.E-9
CARBURETOR FIT.C-4	CYLINDER HEAD..B-3	FR DAMPER.....G-2	HANDLEBAR.....G-8	RR CUSHION LEVER.H-3	STAND.....F-3	WIRING HARNESS..E-11
CLUTCH.....D-2	CYL HEAD COVER..B-2	FR FENDER.....G-6	HEADLAMP.....E-8	RR FENDER.....H-4	STARTER CLUTCH...B-11	

FIG.31

F - 3

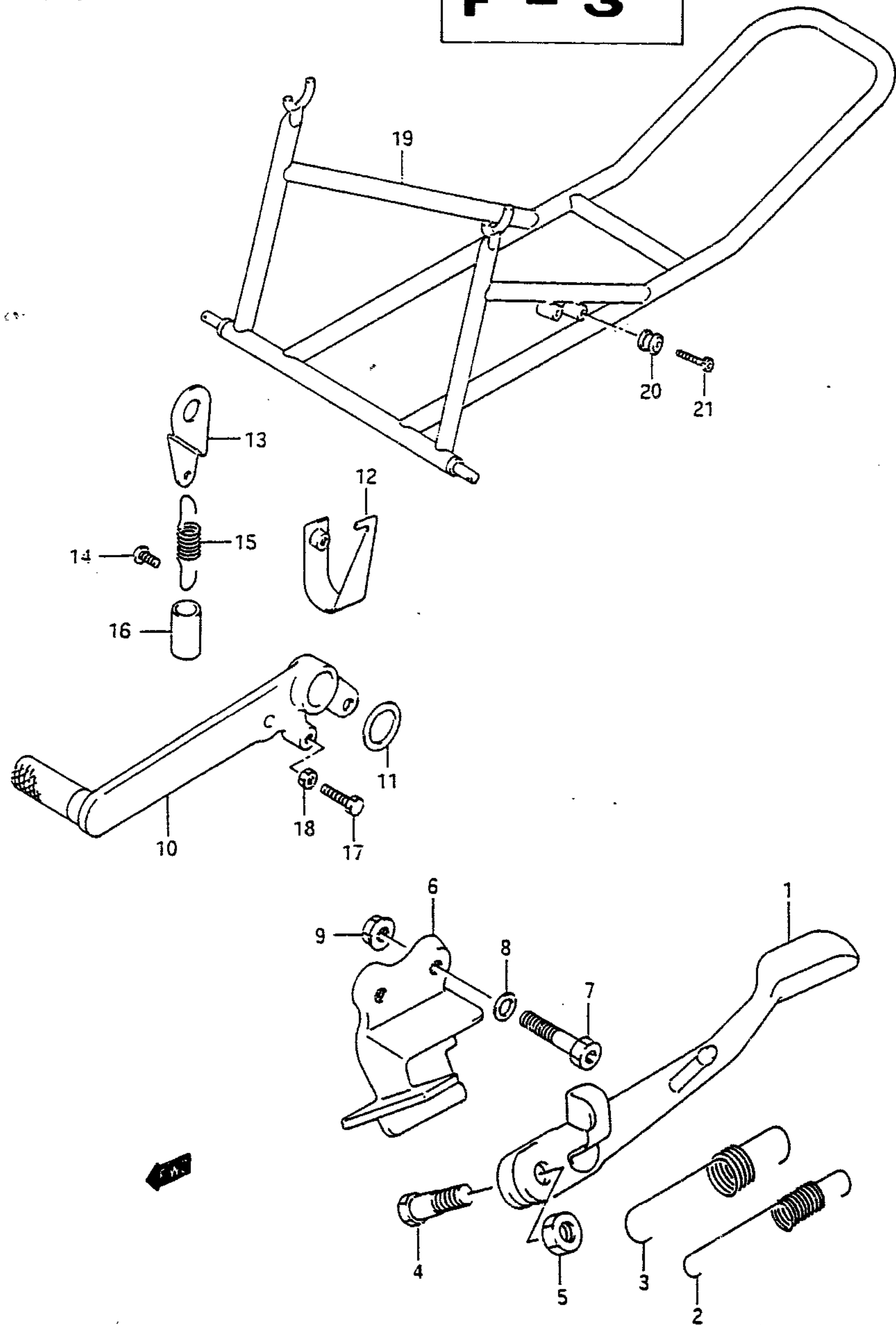


FIG.31 (F- 3) STAND

REF.NO.	PART NO.	DESCRIPTION	Q'TY	REMARKS
1	42310-07D02	STAND, prop	1	
2	09443-14058	SPRING, inner	1	
3	09443-19011	SPRING, outer	1	
4	09111-10036	BOLT	1	
5	08310-22107	NUT	1	
6	42330-07D00	BRACKET, prop stand	1	
7	07110-08358	BOLT	2	
8	09164-08015	WASHER	2	
9	08316-16088	NUT	2	
10	43110-17C03	PEDAL, brake	1	
11	09160-18022	WASHER	1	
12	43561-17C01	PLATE, brake pedal	1	
13	43563-17C01	BRACKET, stop switch lower	1	
14	09139-06027	BOLT	1	
15	09443-13018	SPRING	1	
16	43261-17C00	TUBE, spring	1	
17	01104-05206	BOLT	1	
18	08310-11057	NUT	1	
19	42100-17C00	STAND ASSY, rear	1	OPT
20	61165-27A30	HOLDER, stand	2	OPT
21	07110-08305	BOLT	2	OPT

GSX-R750H E28

GSX-R750M E28

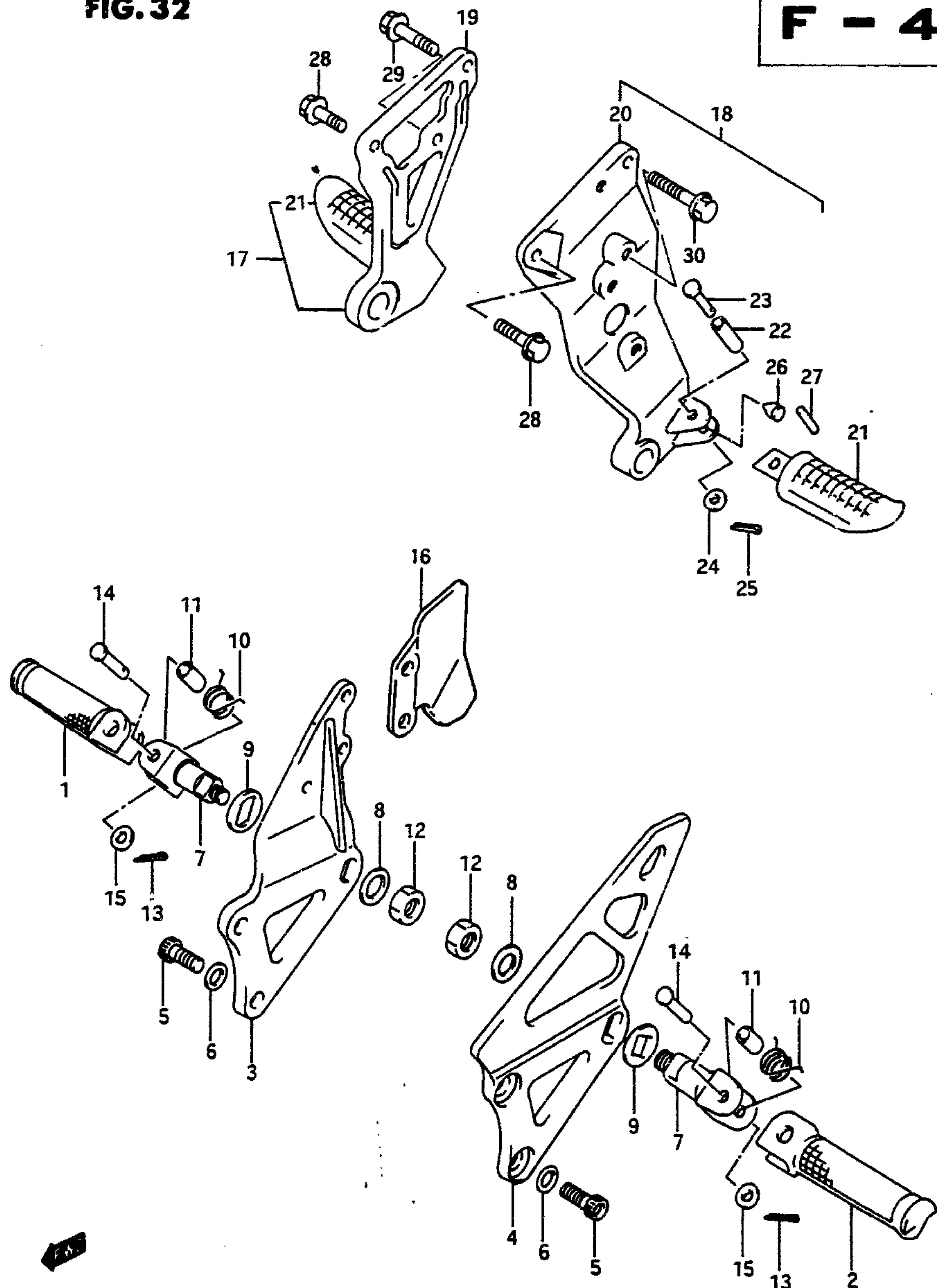
AIR CLEANER.....C-5	COWLING BODY.....H-8	ELECTRICAL.....E-6	FR MASTER CYL.....G-12	MUFFLER.....E-8	RR MASTER CYL.....H-7	STARTING MOTOR..E-2
ALTERNATOR.....E-3	COWLING FIT SET..H-11	FOOTREST.....F-4	FR WHEEL.....G-7	OIL COOLER.....C-6	RR SWINGING ARM..H-2	STEERING DAMPER.G-5
BATTERY.....E-5	CRANKCASE.....B-5	FRAME.....F-2	FUEL COCK.....F-6	OIL PAN.....C-7	RR WHEEL.....H-5	STEERING STEM...G-4
CAM CHAIN.....B-14	CRANKCASE COVER..B-7	FRAME COVER...F-8	FUEL TANK.....F-5	OIL PUMP.....B-9	SEAT.....F-7	TAIL LAMP.....E-10
CAM SHAFT.....B-12	CRANKSHAFT.....B-10	FR BRAKE HOSE.G-11	GEAR SHIFTING..D-5	OPTIONAL.....H-13	SIGNAL GENERATOR.E-4	TRANSMISSION....D-3
CARBURETOR.....C-2	CYLINDER.....B-4	FR CALIPERS...G-10	HANDLE SWITCH.G-9	RR CALIPER.....H-6	SPEEDOMETER.....E-7	TURNSIGNAL LAMP.E-9
CARBURETOR FIT.C-4	CYLINDER HEAD...B-3	FR DAMPER.....G-2	HANDLEBAR.....G-8	RR CUSHION LEVER.H-3	STAND.....F-3	WIRING HARNESS..E-11
CLUTCH.....D-2	CYL HEAD COVER..B-2	FR FENDER.....G-6	HEADLAMP.....E-8	RR FENDER.....H-4	STARTER CLUTCH...B-11	

FIG. 32

F - 4

37

FIG. 32 (F- 4) FOOTREST



REF.NO.	PART NO.	DESCRIPTION	Q'TY	REMARKS
1	43511-17C02	BAR, front footrest RH	1	
2	43521-17C02	BAR, front footrest LH	1	
3	43511-17D01	BRACKET, footrest RH	1	
4	43522-17D01	BRACKET, footrest LH	1	
5-1	43529-17D00	BOLT, RH	2	
5-2	43529-17D10	BOLT, LH	2	
6	09164-10010	WASHER	4	
7	43530-17C01	BOSS, front footrest	2	
8	43213-17C01	PLATE, front footrest	2	
9	43214-17C01	WASHER, front footrest	2	
10	09448-19020	SPRING	2	
11	09180-08149	SPACER, front footrest	2	
12	08310-22127	NUT, front footrest	2	
13	04111-25158	COTTER PIN	2	
14	09200-08057	PIN	2	
15	08322-11088	WASHER	2	
16	43586-40C01	GUARD, footrest RH	1	
17	43600-18D00	FOOTREST ASSY, pillion RH	1	
18	43700-18D00	FOOTREST ASSY, pillion LH	1	
19	43810-18D00	.BRACKET, pillion footrest RH	1	
20	43821-18D00	.BRACKET, pillion footrest LH	1	
21-1	43611-32C00	.BAR, RH	1	
21-2	43621-32C00	.BAR, LH	1	
22	09180-08149	.SPACER	2	
23	09200-08035	.PIN	2	
24	08322-11088	.WASHER	2	
25	04111-20208	.COTTER PIN	2	
26	43691-17C00	.CUSHION, holder	2	
27	43612-17D00	.ROLLER	2	
28	01517-08254	BOLT	4	
29	01517-08304	BOLT	1	
30	01517-08405	BOLT	1	

GSX-R750M E28

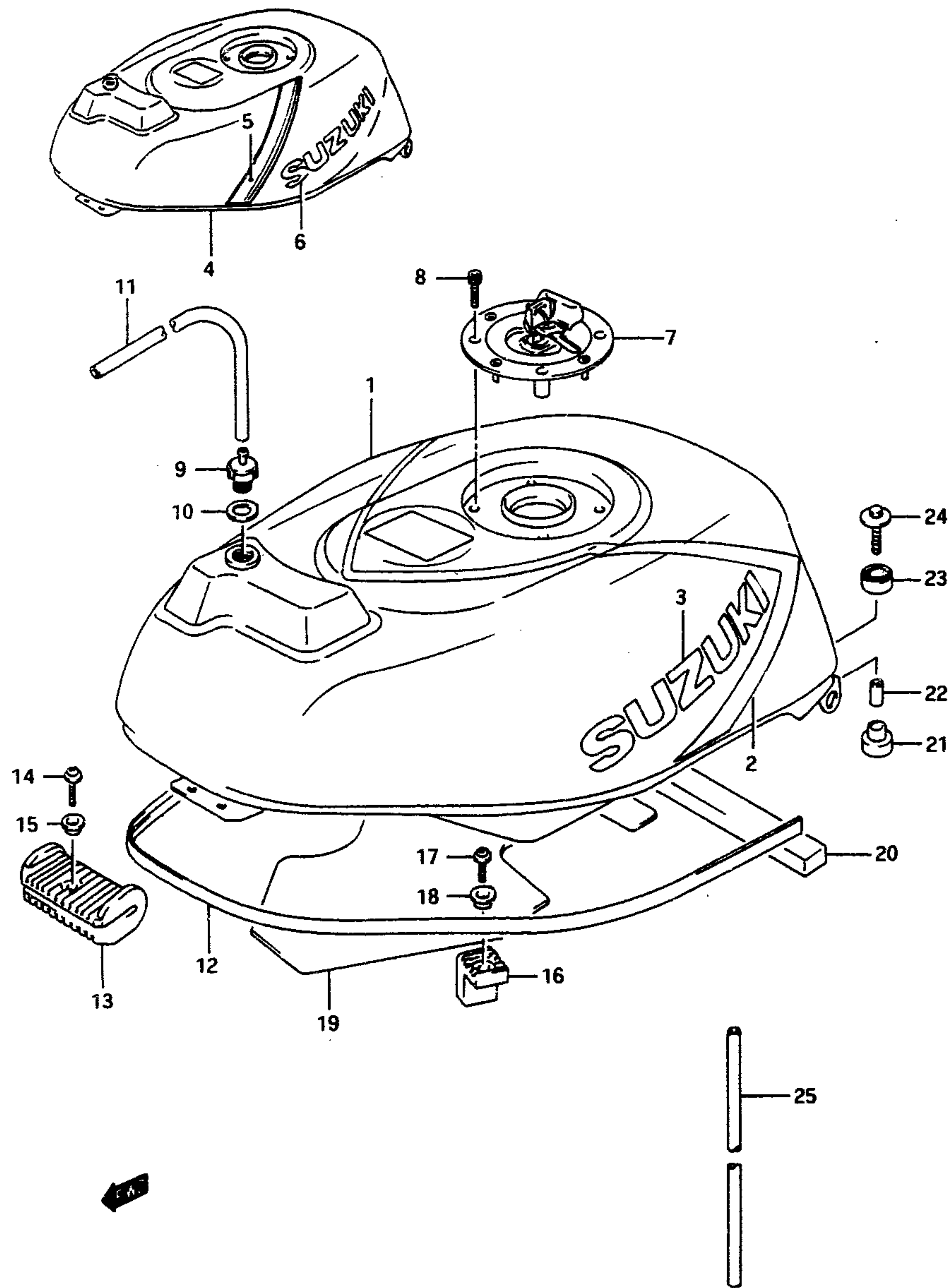
GSX-R750M E28

AIR CLEANER.....C-5	COWLING BODY.....H-8	ELECTRICAL.....E-6	FR MASTER CYL.....G-12	MUFFLER.....E-8	RR MASTER CYL.....H-7	STARTING MOTOR...E-2
ALTERNATOR.....E-3	COWLING FIT SET..H-11	FOOTREST.....F-4	FR WHEEL.....G-7	OIL COOLER.....C-6	RR SWINGING ARM..H-2	STEERING DAMPER..G-5
BATTERY.....E-5	CRANKCASE.....B-5	FRAME.....F-2	FUEL COCK.....F-6	OIL PAN.....C-7	RR WHEEL.....H-5	STEERING STEM...G-4
CAM CHAIN.....B-14	CRANKCASE COVER..B-7	FRAME COVER...F-8	FUEL TANK.....F-5	OIL PUMP.....B-9	SEAT.....F-7	TAIL LAMP.....E-10
CAM SHAFT.....B-12	CRANKSHAFT.....B-10	FR BRAKE HOSE..G-11	GEAR SHIFTING..D-5	OPTIONAL.....H-13	SIGNAL GENERATOR..E-4	TRANSMISSION.....D-3
CARBURETOR.....C-2	CYLINDER.....B-4	FR CALIPERS...G-10	HANDLE SWITCH..G-9	RR CALIPER.....H-6	SPEEDOMETER.....E-7	TURN SIGNAL LAMP..E-9
CARBURETOR FIT..C-4	CYLINDER HEAD...B-3	FR DAMPER.....G-2	HANDLEBAR.....G-8	RR CUSHION LEVER..H-3	STAND.....F-3	WIRING HARNESS...E-11
CLUTCH.....D-2	CYL HEAD COVER..B-2	FR FENDER.....G-6	HEADLAMP.....E-8	RR FENDER.....H-4	STARTER CLUTCH...B-11	

FIG.33

F - 5

FIG.33 (F- 5) FUEL TANK



Q'TY

REMARKS

REF.NO.	PART NO.	DESCRIPTION	Q'TY	REMARKS
1-1	44100-18000-3SL	TANK ASSY, fuel	1	
1-2	44100-18000-3RZ	TANK ASSY, fuel	1	
2-1	68115-18001-3SL	.TAPE, fuel tank (Blue)	1	for 3SL
2-2	68115-18001-3SP	.TAPE, fuel tank (Black)	1	for 3RZ
3	68181-32B00-0JW	.EMBLEM (White)	2	for 3SL,3RZ
4	44100-18010-05X	TANK ASSY, fuel	1	
5	68110-18001-H14	.TAPE SET	1	for 05X
6	68111-12C00-13L	.EMBLEM (Silver)	2	for 05X
7	44201-01851	CAPE SET, fuel tank	1	
8	09106-05017	BOLT	4	
9	44240-06B10	PLUG, breather	1	
10	09168-12012	GASKET	1	
11	09352-50823-600	HOSE, breather (L:600→370)	1	
12	68241-27A00	MOLDING, fuel tank	1	
13	44511-41C00	CUSHION, front	1	
14	02142-05104	SCREW	1	
15	09169-05012	WASHER	1	
16	44545-41C00	CUSHION, side	2	
17	02142-06207	SCREW	2	
18	09169-06051	WASHER	2	
19	44191-17D00	HEAT SHIELD, fuel tank	1	
20	44151-17C00	CUSHION, air seal	1	
21	09320-10038	CUSHION, rear lower	2	
22	09180-06072	SPACER	2	
23	09320-14017	CUSHION, rear upper	2	
24	09116-06097	BOLT	2	
25	09352-50823-00A	HOSE, water drain (L:1000→730)	1	

GSX-R750M E28

GSX-R750M E28

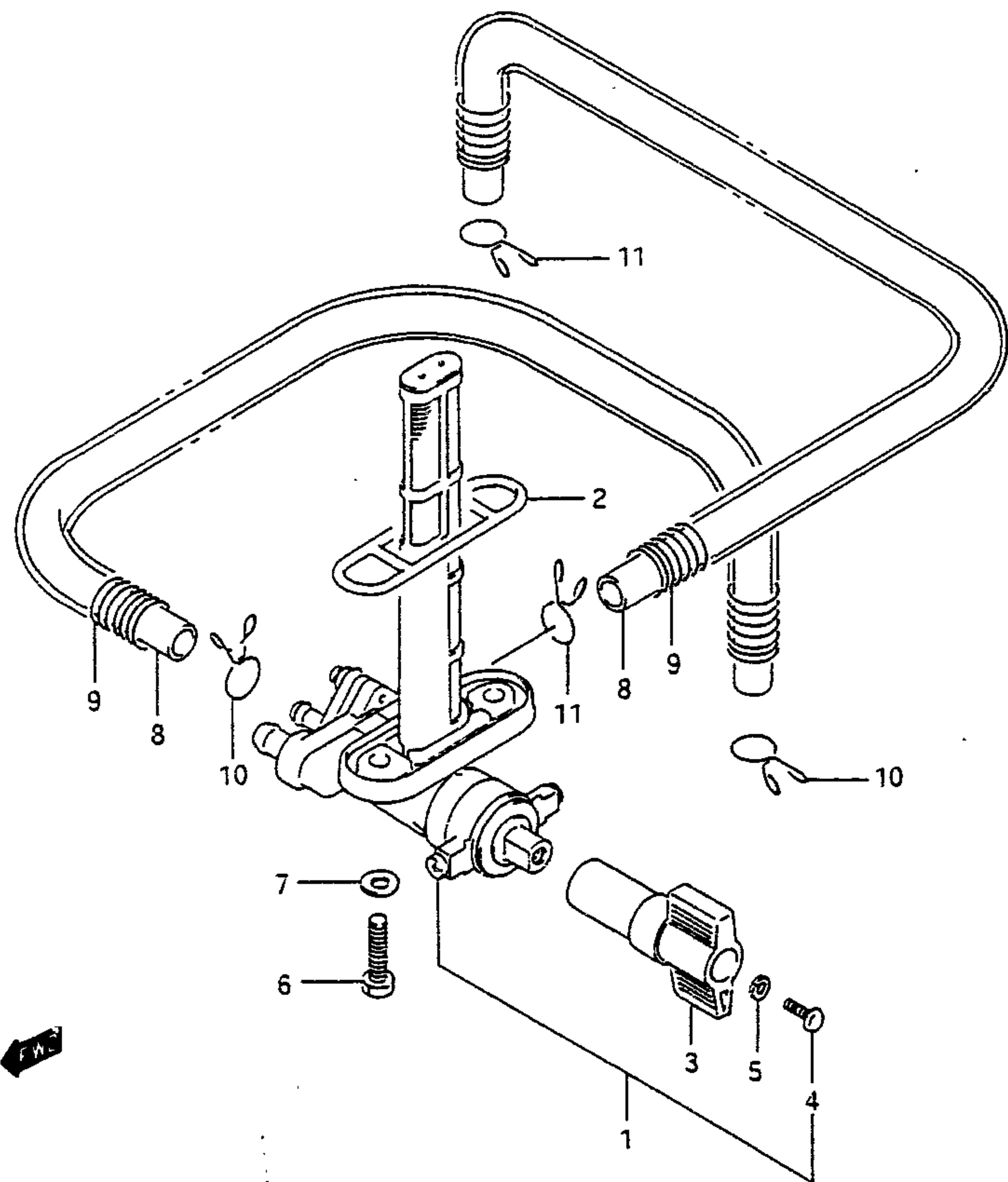
AIR CLEANER.....C-5	COWLING BODY.....H-8	ELECTRICAL.....E-6	FR MASTER CYL.....G-12	MUFFLER.....E-8	RR MASTER CYL.....H-7	STARTING MOTOR..E-2
ALTERNATOR.....E-3	COWLING FIT SET..H-11	FOOTREST.....F-4	FR WHEEL.....G-7	OIL COOLER.....C-6	RR SWINGING ARM..H-2	STEERING DAMPER..G-5
BATTERY.....E-5	CRANKCASE.....B-5	FRAME.....F-2	FUEL COCK.....F-6	OIL PAN.....C-7	RR WHEEL.....H-5	STEERING STEM...G-4
CAM CHAIN.....B-14	CRANKCASE COVER..B-7	FRAME COVER...F-8	FUEL TANK.....F-5	OIL PUMP.....B-9	SEAT.....F-7	TAIL LAMP.....E-10
CAM SHAFT.....B-12	CRANKSHAFT.....B-10	FR BRAKE HOSE..G-11	GEAR SHIFTING..D-5	OPTIONAL.....H-13	SIGNAL GENERATOR..E-4	TRANSMISSION....D-3
CARBURETOR.....C-2	CYLINDER.....B-4	FR CALIPERS...G-10	HANDLE SWITCH..G-9	RR CALIPER.....H-6	SPEEDOMETER.....E-7	URNSIGNAL LAMP..E-9
CARBURETOR FIT..C-4	CYLINDER HEAD...B-3	FR DAMPER.....G-2	HANDLEBAR.....G-8	RR CUSHION LEVER..H-3	STAND.....F-3	WIRING HARNESS..E-11
CLUTCH.....D-2	CYL HEAD COVER..B-2	FR FENDER.....G-6	HEADLAMP.....E-8	RR FENDER.....H-4	STARTER CLUTCH...B-11	

FIG. 34

F - 6

39

FIG. 34 (F- 6) FUEL COCK



REF.NO.	PART NO.	DESCRIPTION	Q'TY	REMARKS
1	44300-41C00	COCK ASSY, fuel	1	
2	44305-17C00	.O RING	1	
3	44306-17C00	.LEVER	1	
4	02112-04126	.SCREW, lever	1	
5	08321-21046	.LOCK WASHER	1	
6	09128-06006	BOLT	2	
7	09168-06026	GASKET	2	
8	09352-70103-300	HOSE (L:300+270)	2	
9	09440-13047	SPRING	2	
10	09401-10402	CLIP	2	
11	09401-10201	CLIP, LH	2	

GSX-R750M E28

GSX-R750M E28

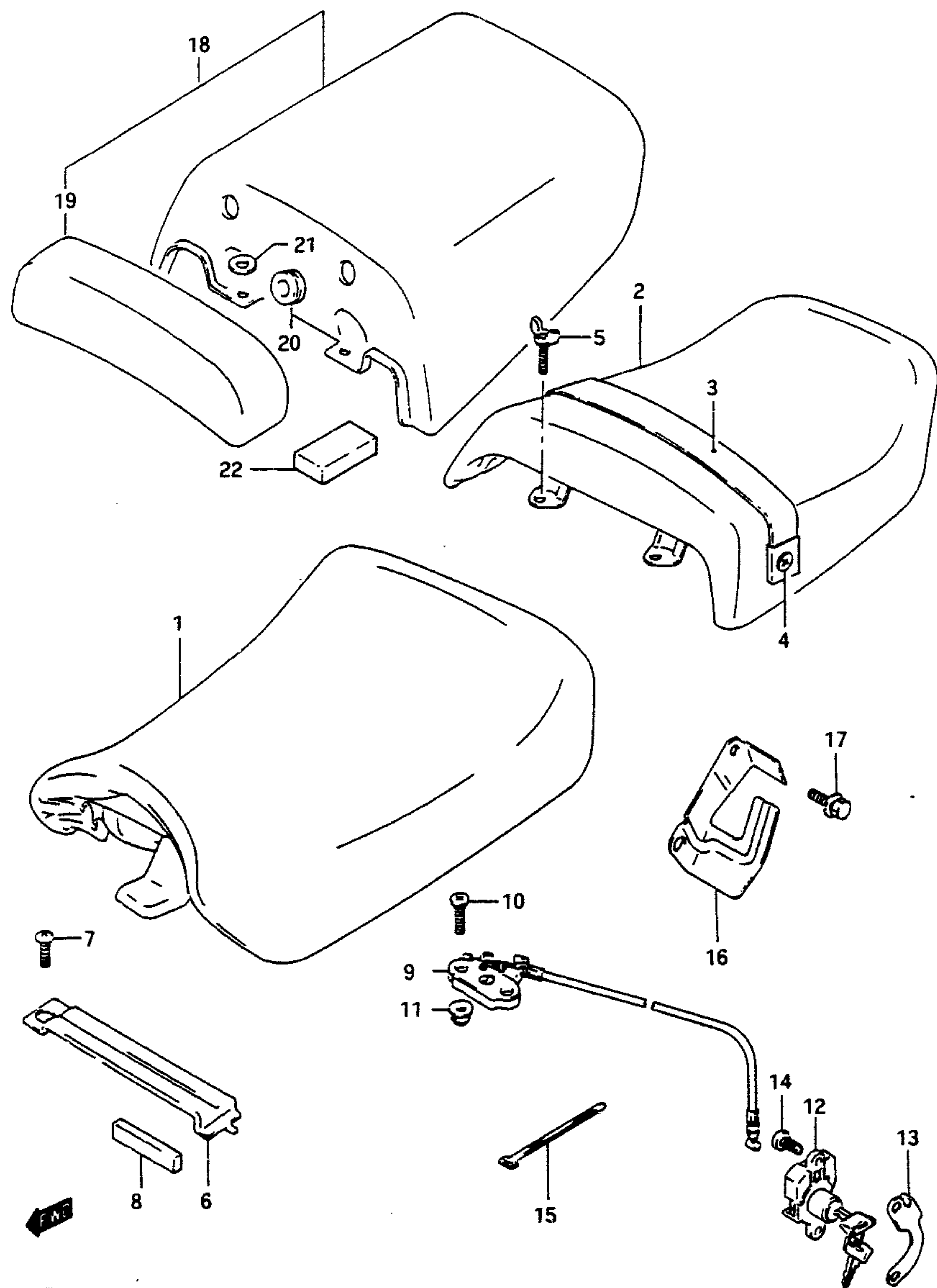
AIR CLEANER.....C-5	COWLING BODY.....H-8	ELECTRICAL.....E-6	FR MASTER CYL.G-12	MUFFLER.....E-8	RR MASTER CYL....H-7	STARTING MOTOR..E-2
ALTERNATOR.....E-3	COWLING FIT SET.H-11	FOOTREST.....F-4	FR WHEEL.....G-7	OIL COOLER.....C-6	RR SWINGING ARM..H-2	STEERING DAMPER.G-5
BATTERY.....E-5	CRANKCASE.....B-5	FRAME.....F-2	FUEL COCK.....F-6	OIL PAN.....C-7	RR WHEEL.....H-5	STEERING STEM...G-4
CAM CHAIN.....B-14	CRANKCASE COVER.B-7	FRAME COVER...F-8	FUEL TANK.....F-5	OIL PUMP.....B-9	SEAT.....F-7	TAIL LAMP.....E-10
CAM SHAFT.....B-12	CRANKSHAFT.....B-10	FR BRAKE HOSE.G-11	GEAR SHIFTING.D-5	OPTIONAL.....H-13	SIGNAL GENERATOR.E-4	TRANSMISSION....D-3
CARBURETOR.....C-2	CYLINDER.....B-4	FR CALIPERS...G-10	HANDLE SWITCH.G-9	RR CALIPER.....H-6	SPEEDOMETER.....E-7	URNSIGNAL LAMP.E-9
CARBURETOR FIT.C-4	CYLINDER HEAD..B-3	FR DAMPER.....G-2	HANDLEBAR.....G-8	RR CUSHION LEVER.H-3	STAND.....F-3	WIRING HARNESS..E-11
CLUTCH.....D-2	CYL HEAD COVER..B-2	FR FENDER.....G-6	HEADLAMP.....E-8	RR FENDER.....H-4	STARTER CLUTCH...B-11	

FIG.35

F - 7

40

FIG.35 (F- 7) SEAT



REF.NO.	PART NO.	DESCRIPTION	Q'TY	REMARKS
1	45100-41C00-58R	SEAT ASSY (Black)	1	
2	45300-41C10-58R	SEAT ASSY, pillion (Black)	1	
3	45180-41C00-58R	.BAND, seat grip (Black)	1	
4	45186-06B00	.BOLT, seat band	2	
5	09139-06056	BOLT, pillion seat	2	
6	45271-17C01	PLATE, seat support rear	1	
7	02142-06126	SCREW	1	
8	45272-17C02	CUSHION, seat support plate	2	
9	45220-17C00	BRACKET, seat support rear	1	
10	02122-06255	SCREW	2	
11	08319-31067	NUT	2	
12	45700-19840	LOCK SET, seat	1	
13	45123-17C00	PLATE, seat lock	1	
14	09139-06075	SCREW	2	
15	09407-09402	CLAMP	1	
16	45290-41C01	PLATE, seat lock cable	1	
17	01117-06165	BOLT	2	
18-1	45500-41810-0JW	BOX SET, seat tail	1	OPT
18-2	45500-41810-33J	BOX SET, seat tail	1	OPT
19	46220-41C00-58R	.BACKREST, seat	1	OPT
20	09320-12031	.CUSHION	2	OPT
21	09160-06006	WASHER, front	2	OPT
22	63411-35B00	CUSHION	6	

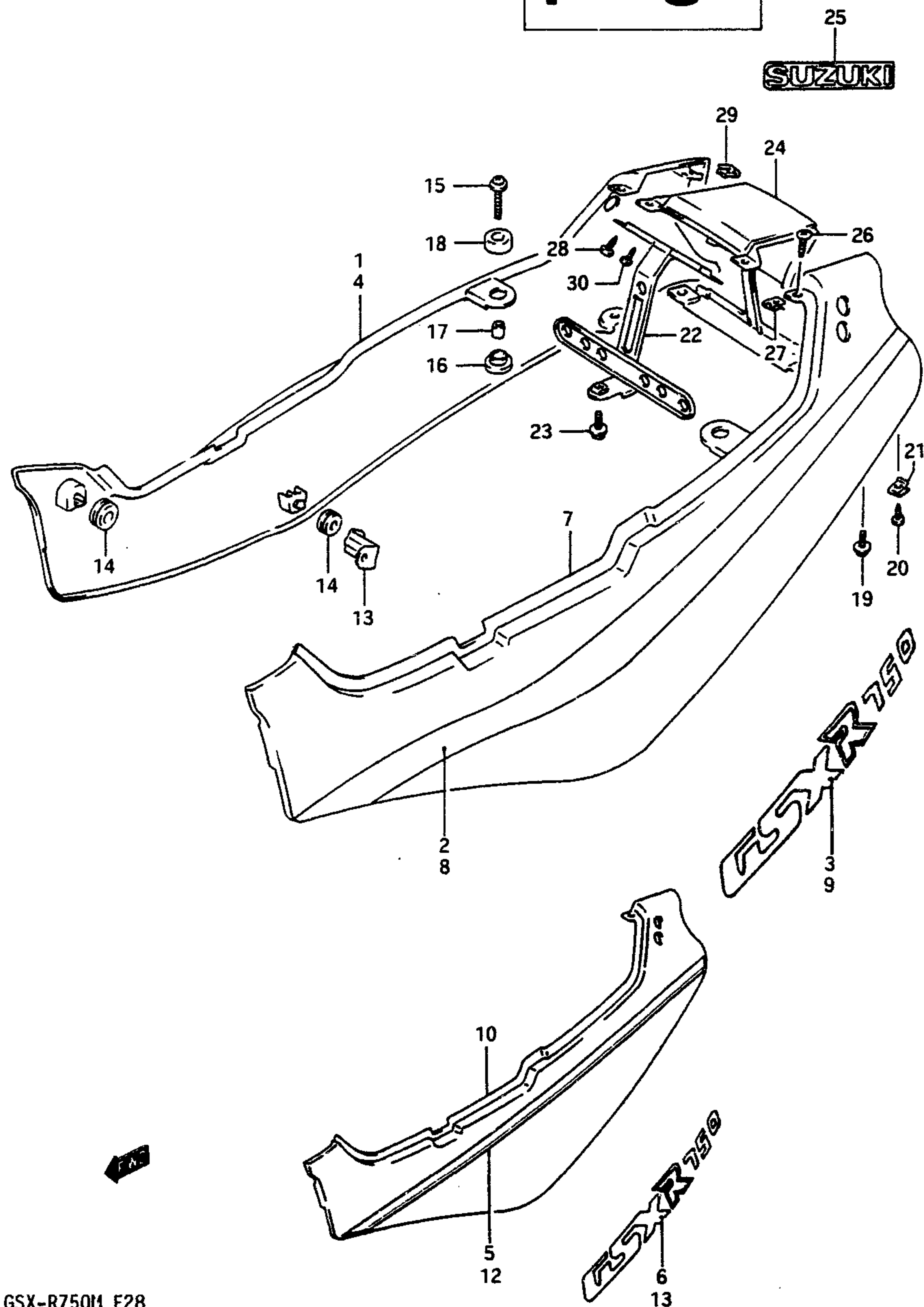
GSX-R750M E28

GSX-R750M E28

AIR CLEANER...C-5	COWLING BODY...H-8	ELECTRICAL...E-6	FR MASTER CYL...G-12	MUFFLER...E-8	RR MASTER CYL...H-7	STARTING MOTOR...E-2
ALTERNATOR...E-3	COWLING FIT SET...H-11	FOOTREST...F-4	FR WHEEL...G-7	OIL COOLER...C-6	RR SWINGING ARM...H-2	STEERING DAMPER...G-5
BATTERY...E-5	CRANKCASE...B-5	FRAME...F-2	FUEL COCK...F-6	OIL PAN...C-7	RR WHEEL...H-5	STEERING STEM...G-4
CAM CHAIN...B-14	CRANKCASE COVER...B-7	FRAME COVER...F-8	FUEL TANK...F-5	OIL PUMP...B-9	SEAT...F-7	TAIL LAMP...E-10
CAM SHAFT...B-12	CRANKSHAFT...B-10	FR BRAKE HOSE...G-11	GEAR SHIFTING...D-5	OPTIONAL...H-13	SIGNAL GENERATOR...E-4	TRANSMISSION...D-3
CARBURETOR...C-2	CYLINDER...B-4	FR CALIPERS...G-10	HANDLE SWITCH...G-9	RR CALIPER...H-6	SPEEDOMETER...E-7	TURN SIGNAL LAMP...E-9
CARBURETOR FIT...C-4	CYLINDER HEAD...B-3	FR DAMPER...G-2	HANDLEBAR...G-8	RR CUSHION LEVER...H-3	STAND...F-3	WIRING HARNESS...E-11
CLUTCH...D-2	CYL HEAD COVER...B-2	FR FENDER...G-6	HEADLAMP...E-8	RR FENDER...H-4	STARTER CLUTCH...B-11	

FIG. 36

F - 8



GSX-R750M E28

FIG. 36 (F- 8) FRAME COVER

REF.NO.	PART NO.	DESCRIPTION	Q'TY	REMARKS
1-1	47110-18D00-3SL	COVER, frame RH	1	
1-2	47110-18D00-3RZ	COVER, frame RH	1	
2-1	68135-18D01-0NE	.TAPE, RH (Blue)	1	for 3SL
2-2	68135-18D01-019	.TAPE, RH (Black)	1	for 3RZ
3-1	68131-18D00-H04	.EMBLEM	1	for 3SL
3-2	68131-18D00-3SS	.EMBLEM	1	for 3RZ
4	47110-18D10-05X	COVER, frame RH	1	
5	68135-18D11-H17	.TAPE, RH	1	for 05X
6	68131-18D00-H15	.EMBLEM	1	for 05X
7-1	47210-18D00-3SL	COVER, frame LH	1	
7-2	47210-18D00-3RZ	COVER, frame LH	1	
8-1	68145-18D01-0NE	.TAPE, LH (Blue)	1	for 3SL
8-2	68145-18D01-019	.TAPE, LH (Black)	1	for 3RZ
9-1	68131-18D00-H04	.EMBLEM	1	for 3SL
9-2	68131-18D00-3SS	.EMBLEM	1	for 3RZ
10	47210-18D10-05X	COVER, frame LH	1	
11	68145-18D11-H17	.TAPE, LH	1	
12	68131-18D00-H15	.EMBLEM	1	
13	43815-41C00	BRACKET, frame cover	2	
14	09320-08018	CUSHION, side	4	
15	09136-06062	SCREW, rear	2	
16	45326-17C00	CUSHION, center lower	2	
17	09180-06143	SPACER	2	
18	45149-04A00	CUSHION, center upper	2	
19	09136-06083	SCREW, center	2	
20	03141-04125	SCREW, rear	2	
21	09148-04024	NUT	2	
22	47410-41C00	BRACKET, tail lamp	1	
23	09116-06064	BOLT, lower	1	
24-1	47310-41C00-0JW	COVER, frame center	1	for 3SL
24-2	47310-41C00-0LX	COVER, frame center	1	for 3RZ
24-3	47310-41C00-33J	COVER, frame center	1	for 05X
25-1	68166-31300-0NE	.EMBLEM (Blue)	1	for 0JW
25-2	68166-31300-019	.EMBLEM (Black)	1	for 0LX
25-3	68166-31300-13L	.EMBLEM (Silver)	1	for 33J

GSX-R750M E28

AIR CLEANER.....C-5	COWLING BODY.....H-8	ELECTRICAL.....E-6	FR MASTER CYL.....G-12	MUFFLER.....E-8	RR MASTER CYL.....H-7	STARTING MOTOR.....E-2
ALTERNATOR.....E-3	COWLING FIT SET.....H-11	FOOTREST.....F-4	FR WHEEL.....G-7	OIL COOLER.....C-6	RR SWINGING ARM.....H-2	STEERING DAMPER.....G-5
BATTERY.....E-5	CRANKCASE.....B-5	FRAME.....F-2	FUEL COCK.....F-6	OIL PAN.....C-7	RR WHEEL.....H-5	STEERING STEM.....G-4
CAM CHAIN.....B-14	CRANKCASE COVER.....B-7	FRAME COVER.....F-8	FUEL TANK.....F-5	OIL PUMP.....B-9	SEAT.....F-7	TAIL LAMP.....E-10
CAM SHAFT.....B-12	CRANKSHAFT.....B-10	FR BRAKE HOSE.....G-11	GEAR SHIFTING.....D-5	OPTIONAL.....H-13	SIGNAL GENERATOR.....E-4	TRANSMISSION.....D-3
CARBURETOR.....C-2	CYLINDER.....B-4	FR CALIPERS.....G-10	HANDLE SWITCH.....G-9	RR CALIPER.....H-6	SPEEDOMETER.....E-7	TURNSIGNAL LAMP.....E-9
CARBURETOR FIT.....C-4	CYLINDER HEAD.....B-3	FR DAMPER.....G-2	HANDLEBAR.....G-8	RR CUSHION LEVER.....H-3	STAND.....F-3	WIRING HARNESS.....E-11
CLUTCH.....D-2	CYL HEAD COVER.....B-2	FR FENDER.....G-6	HEADLAMP.....E-8	RR FENDER.....H-4	STARTER CLUTCH.....B-11	

FIG. 36

F - 9

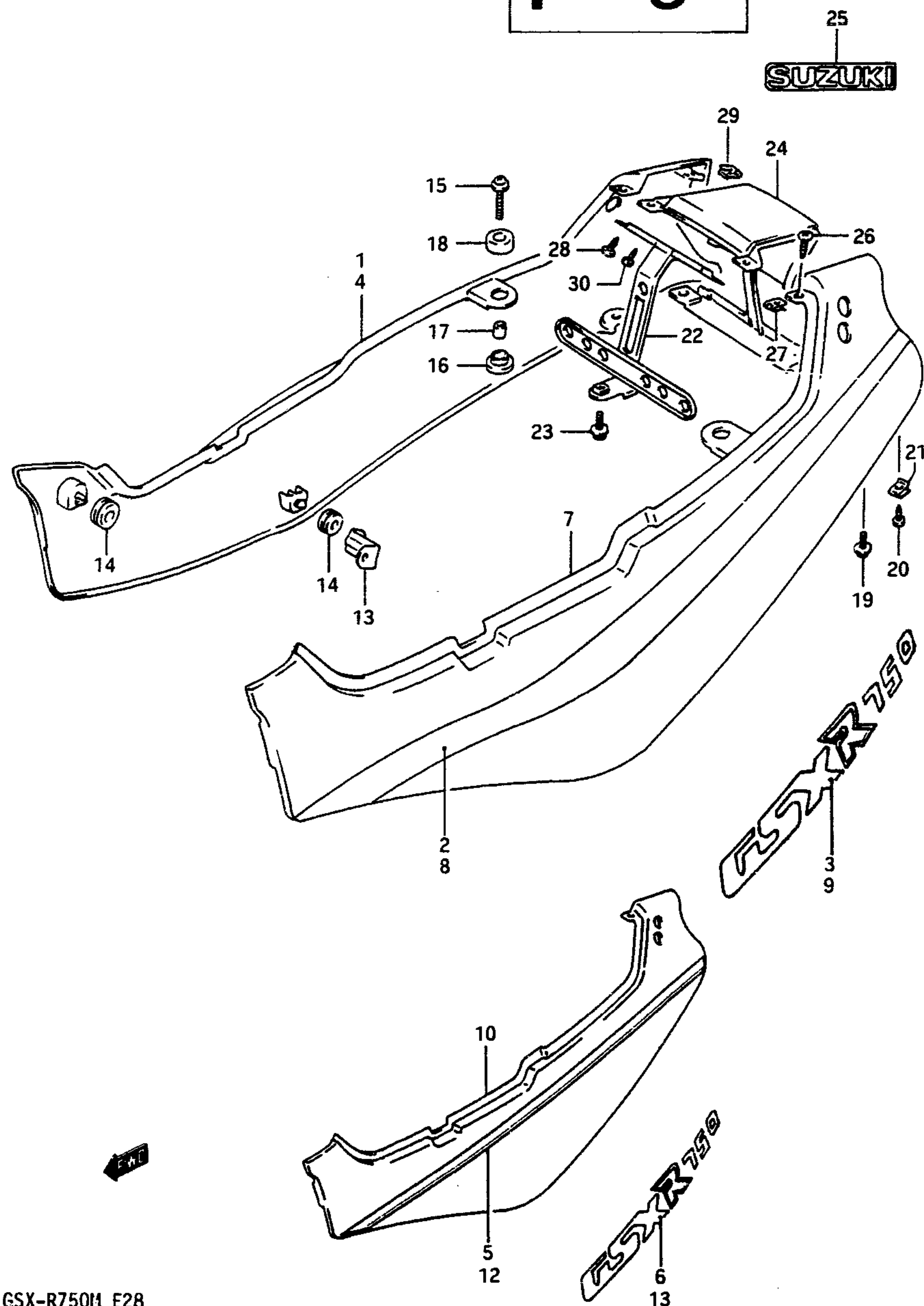


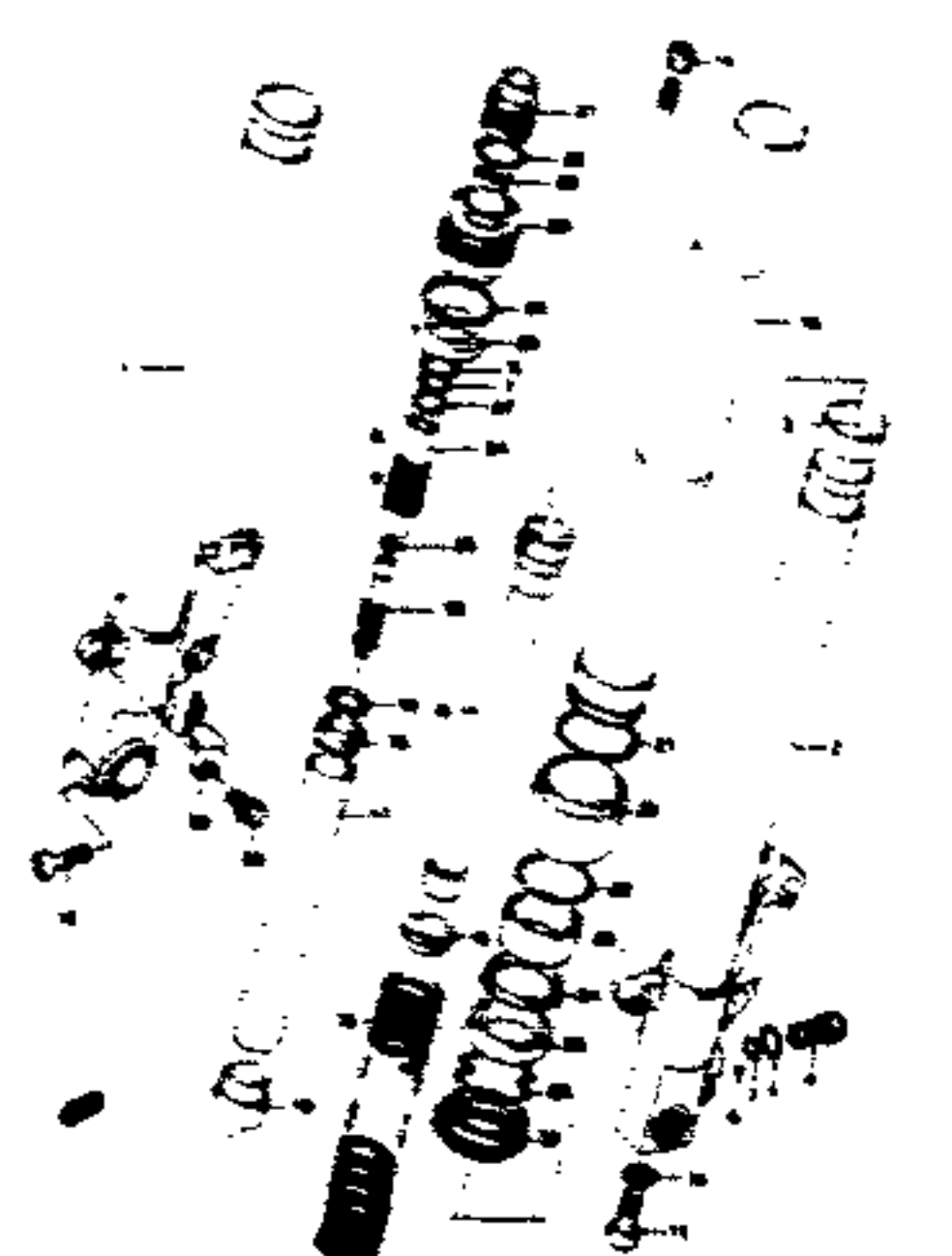
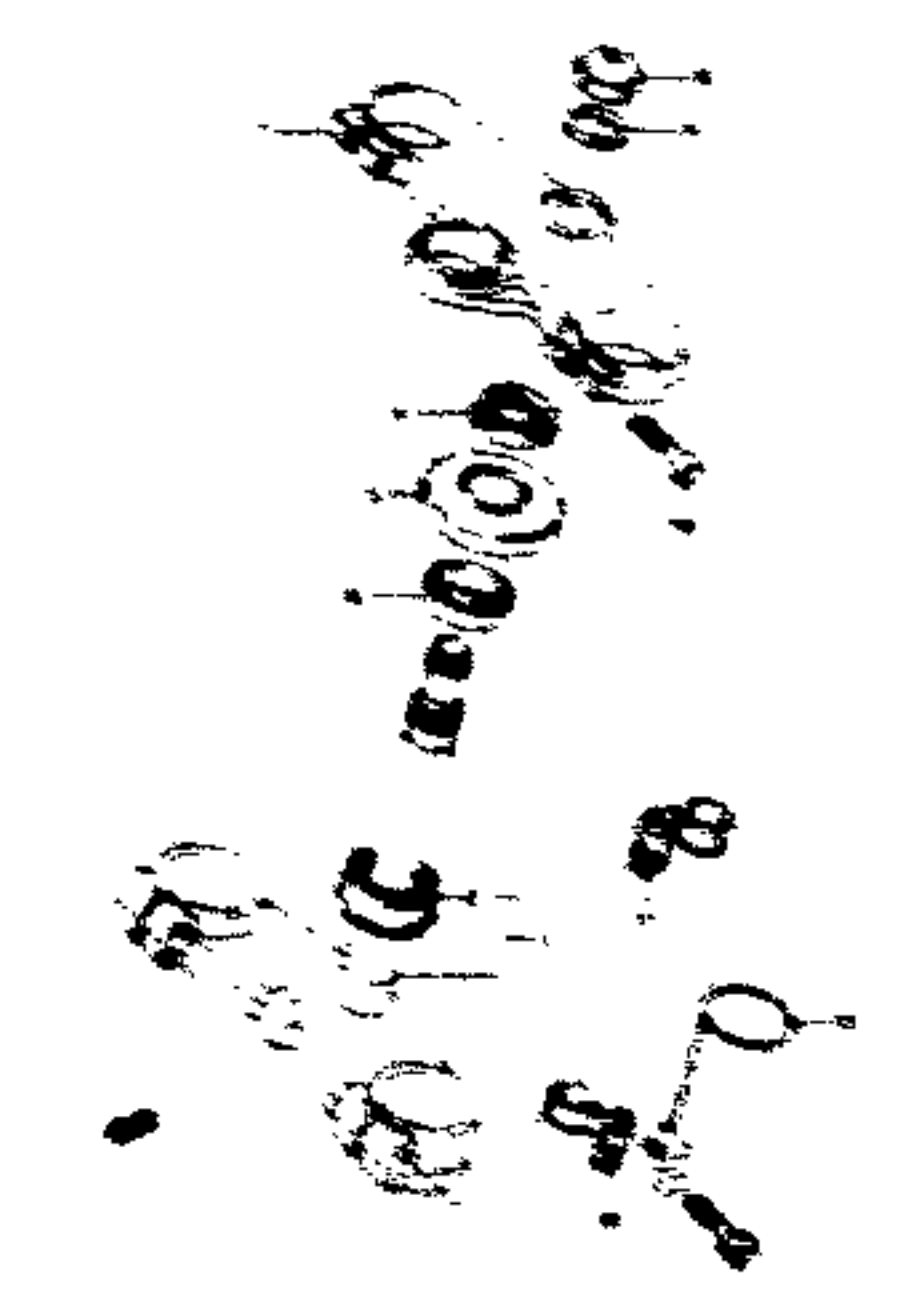
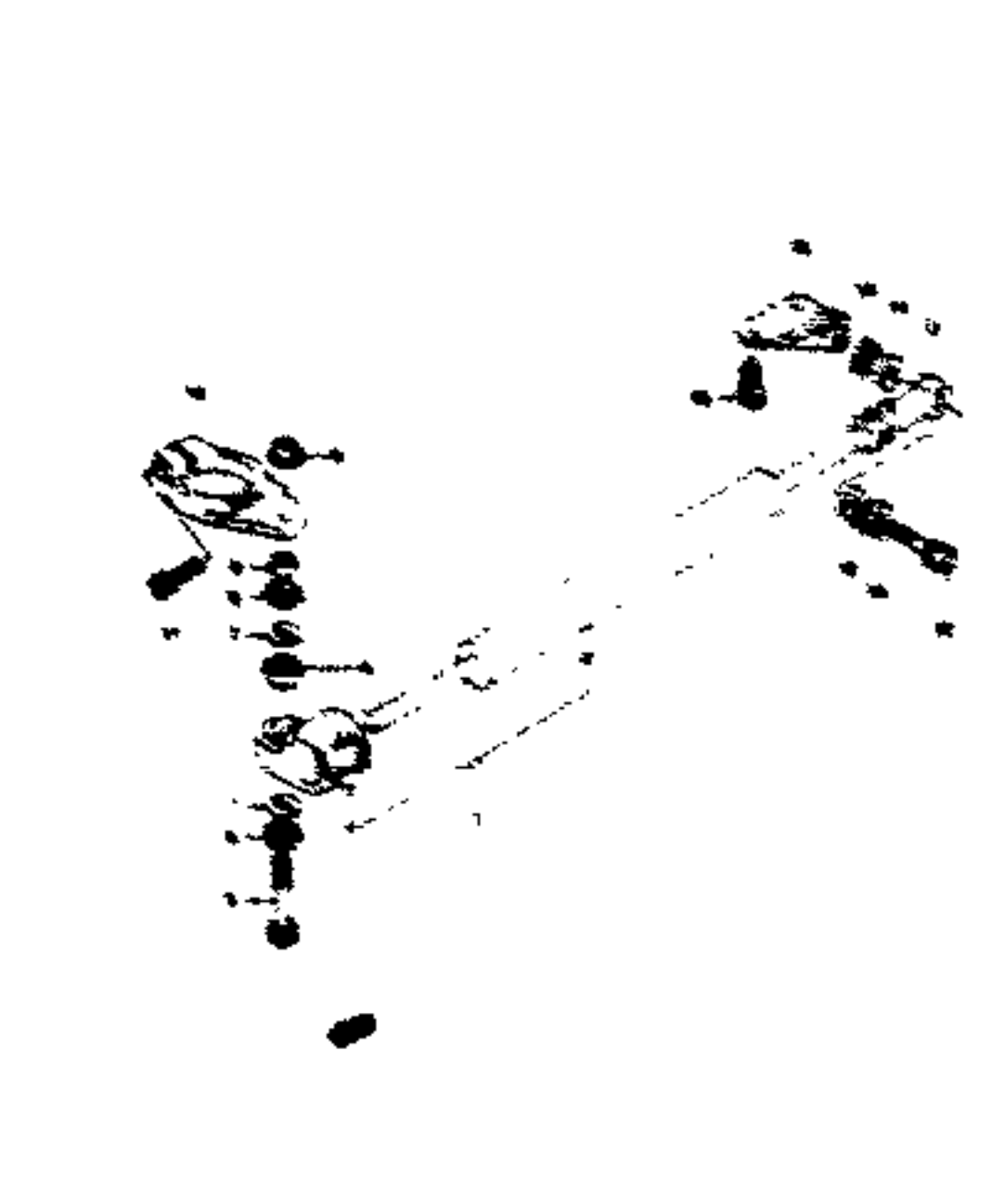
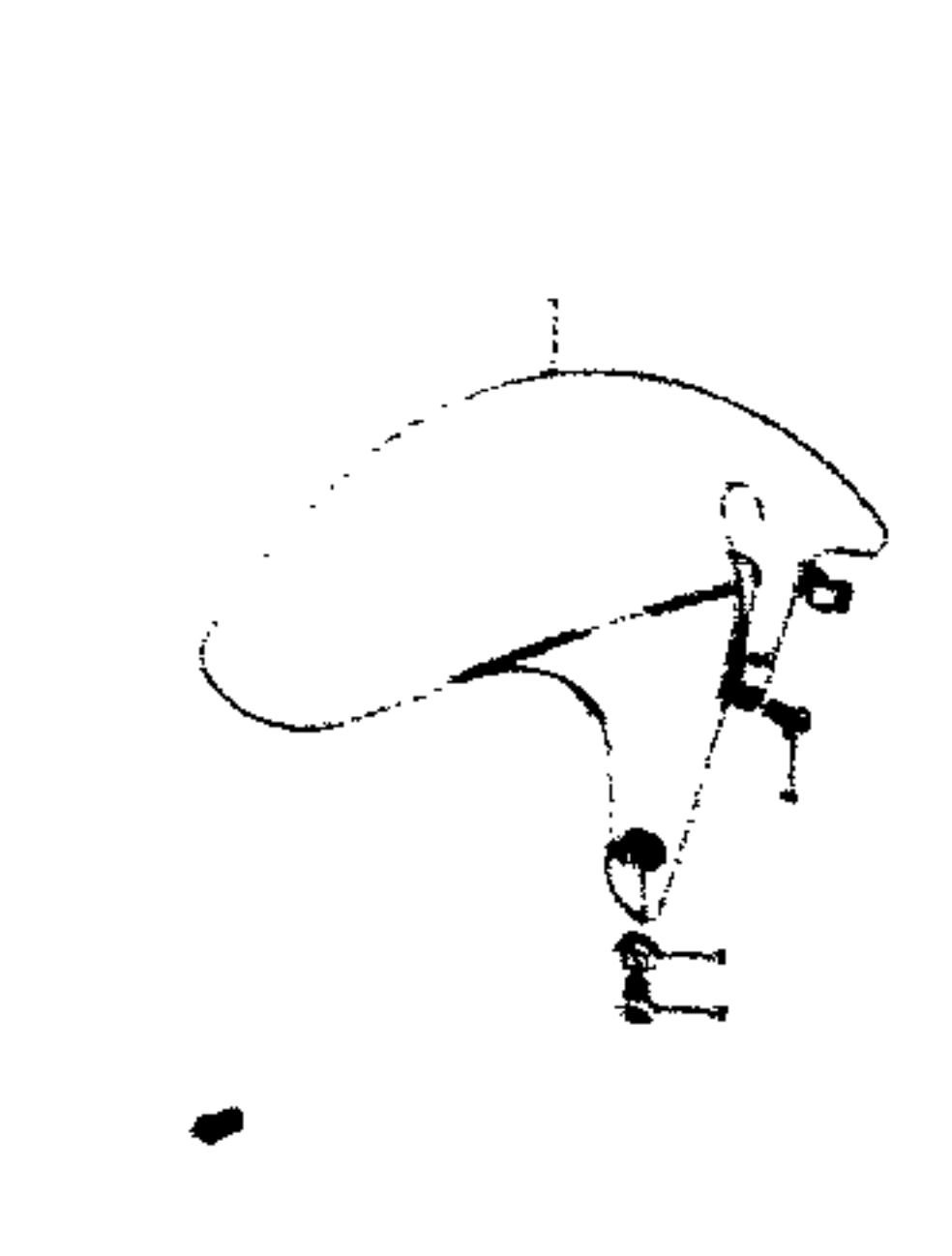
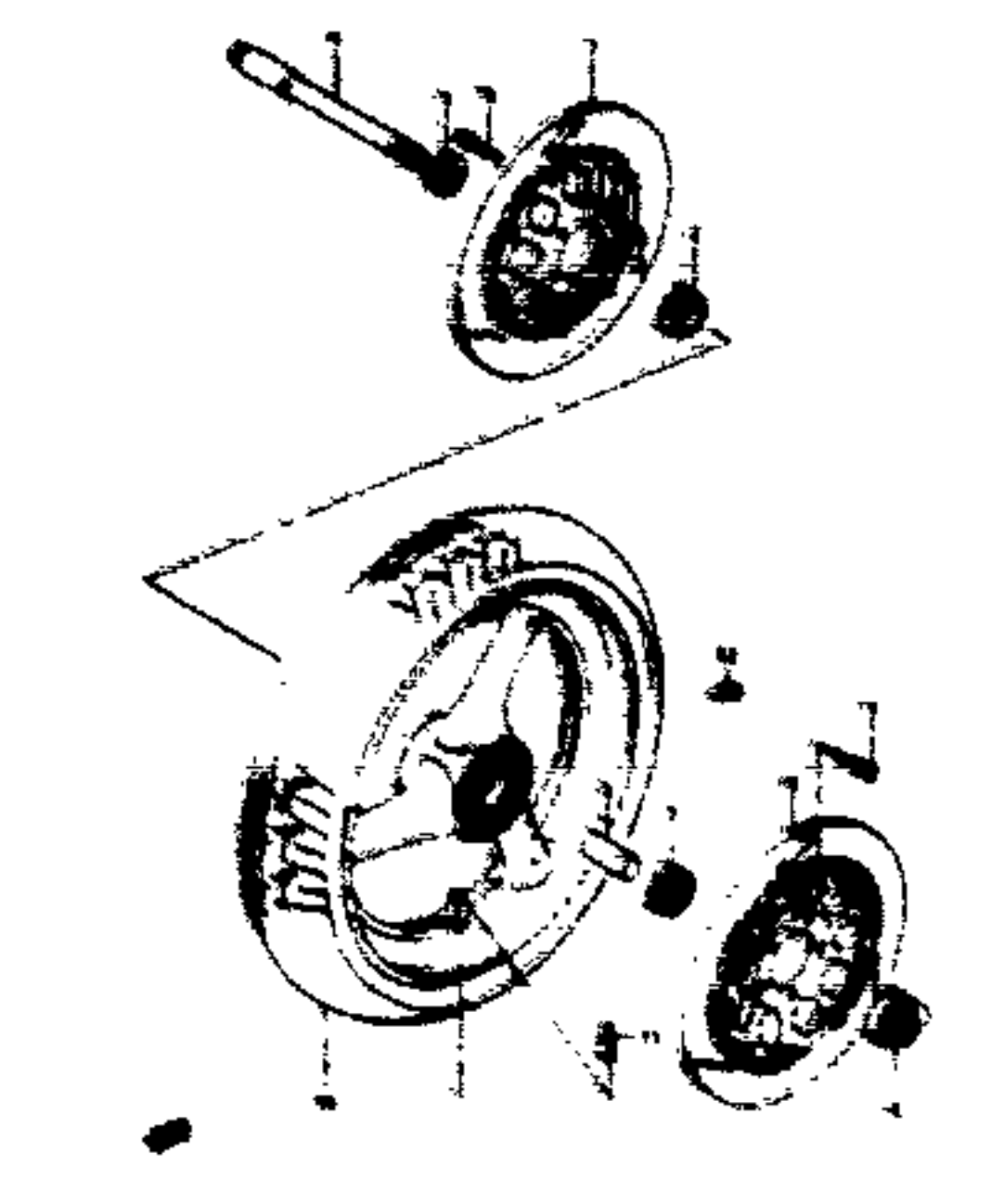
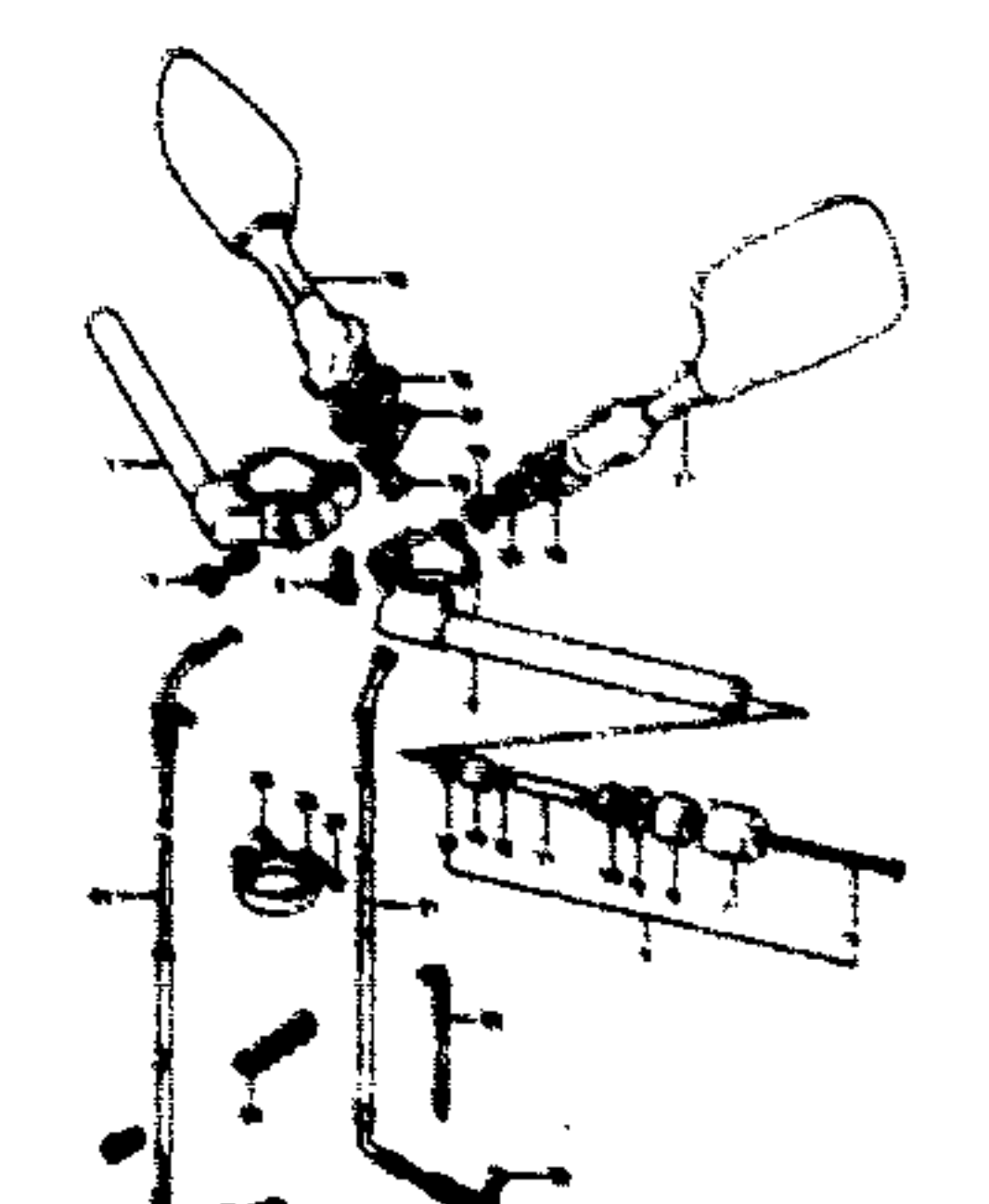
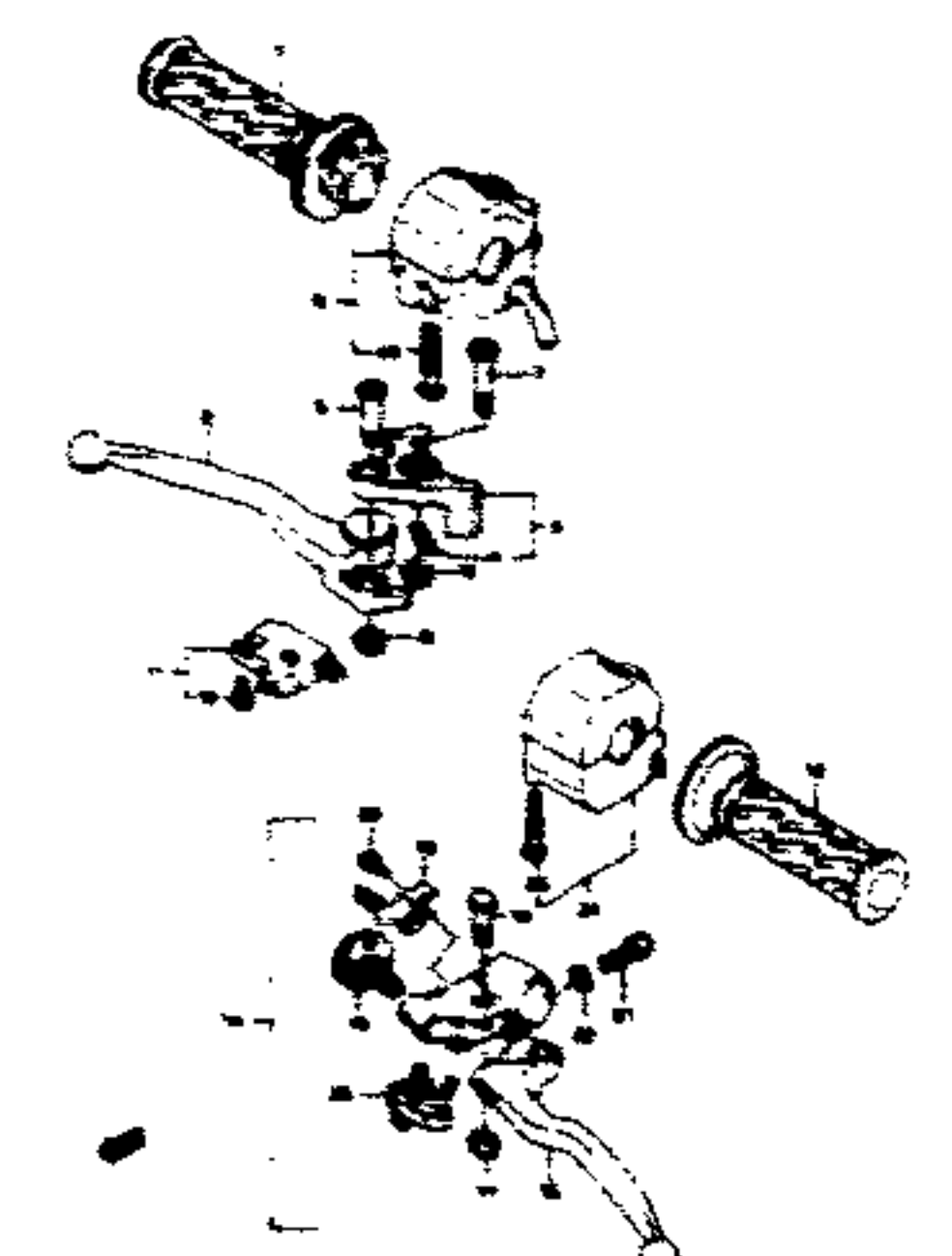
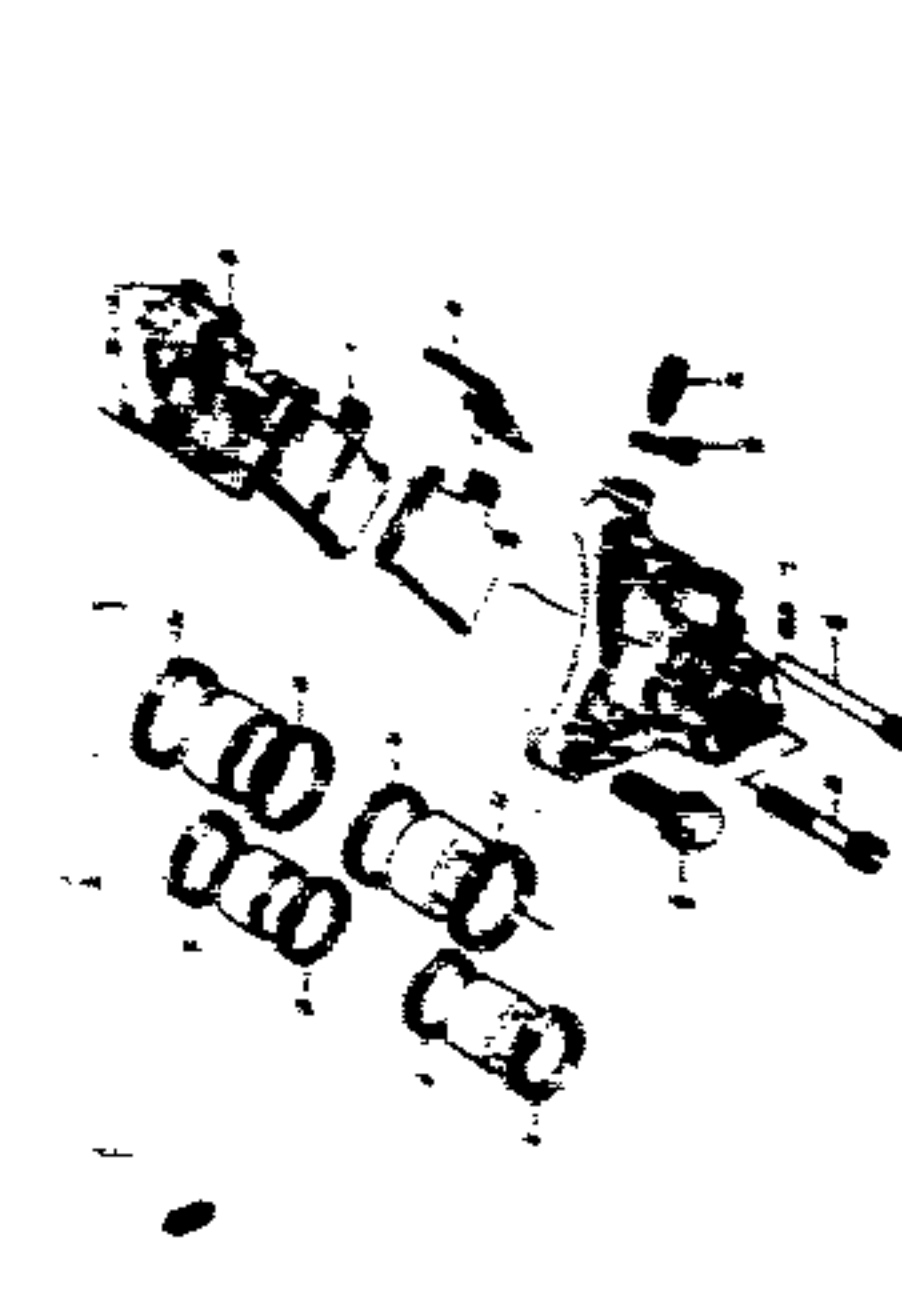
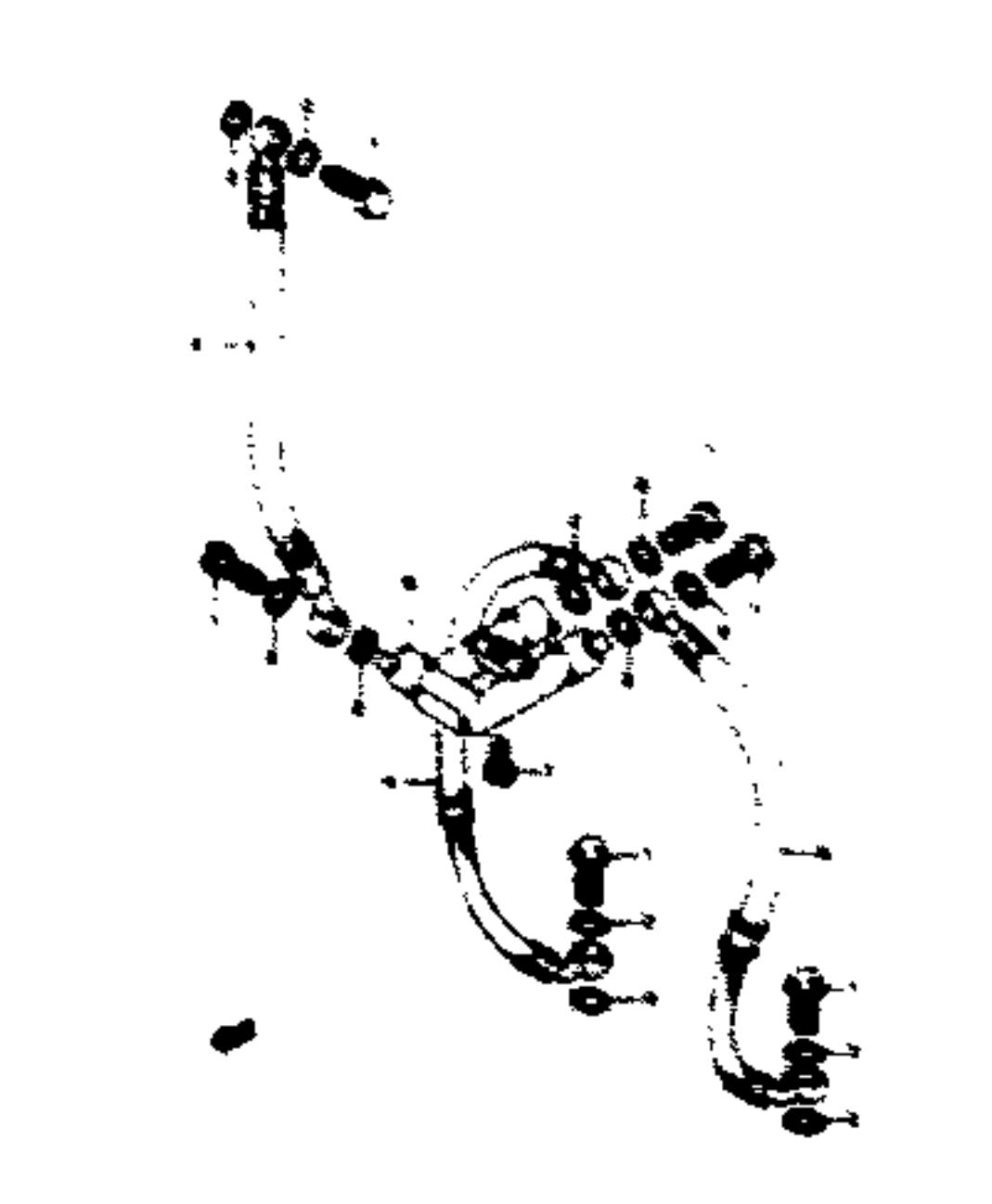
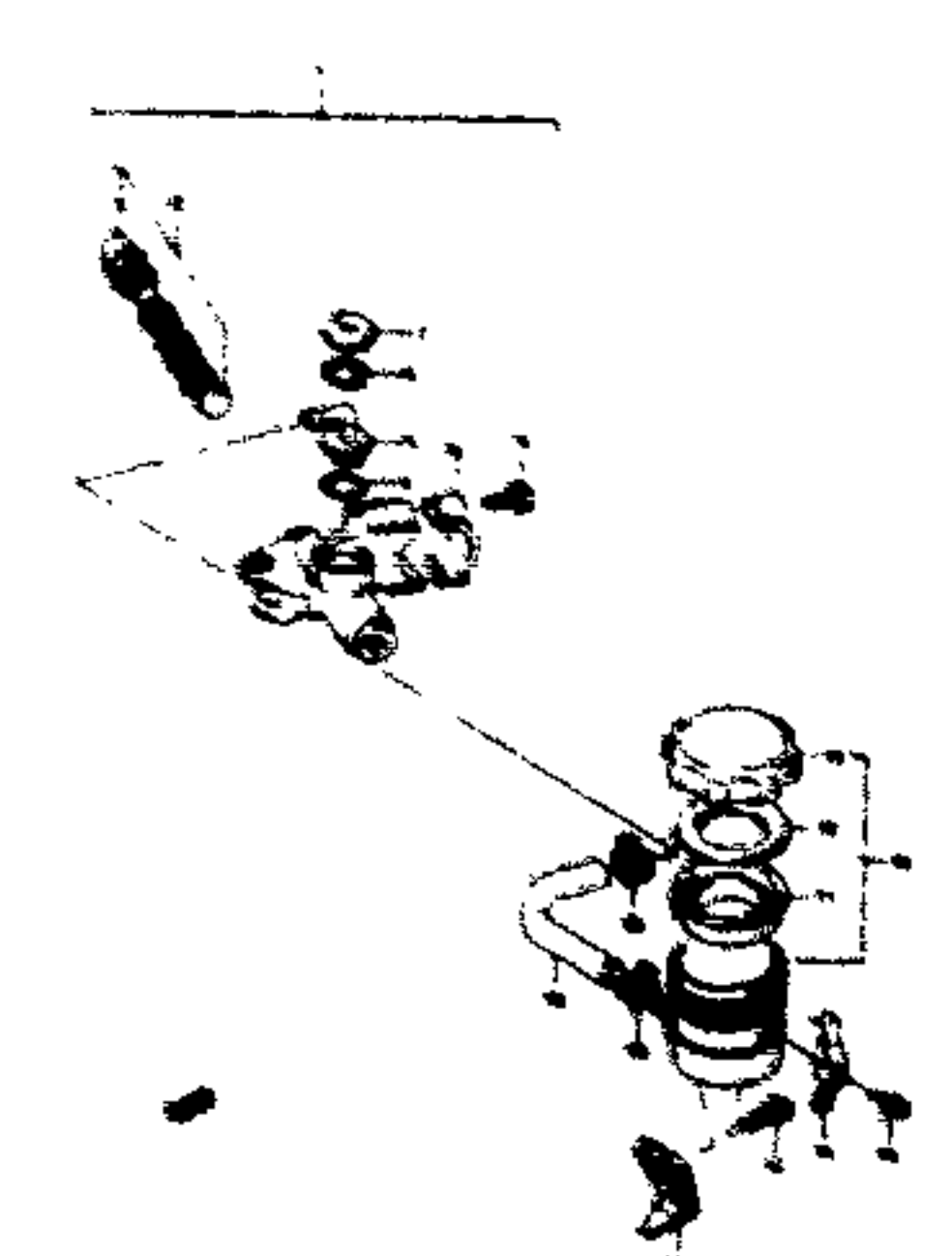
FIG. 36 (F- 9) FRAME COVER

REF.NO.	PART NO.	DESCRIPTION	Q'TY	REMARKS
26	03241-15125	SCREW, center	2	
27	09148-05019	NUT	2	
28	03241-15125	SCREW, bracket	2	
29	09148-05038	NUT	2	
30	03541-04125	SCREW, inner	2	

GSX-R750H E28

GSX-R750M E28

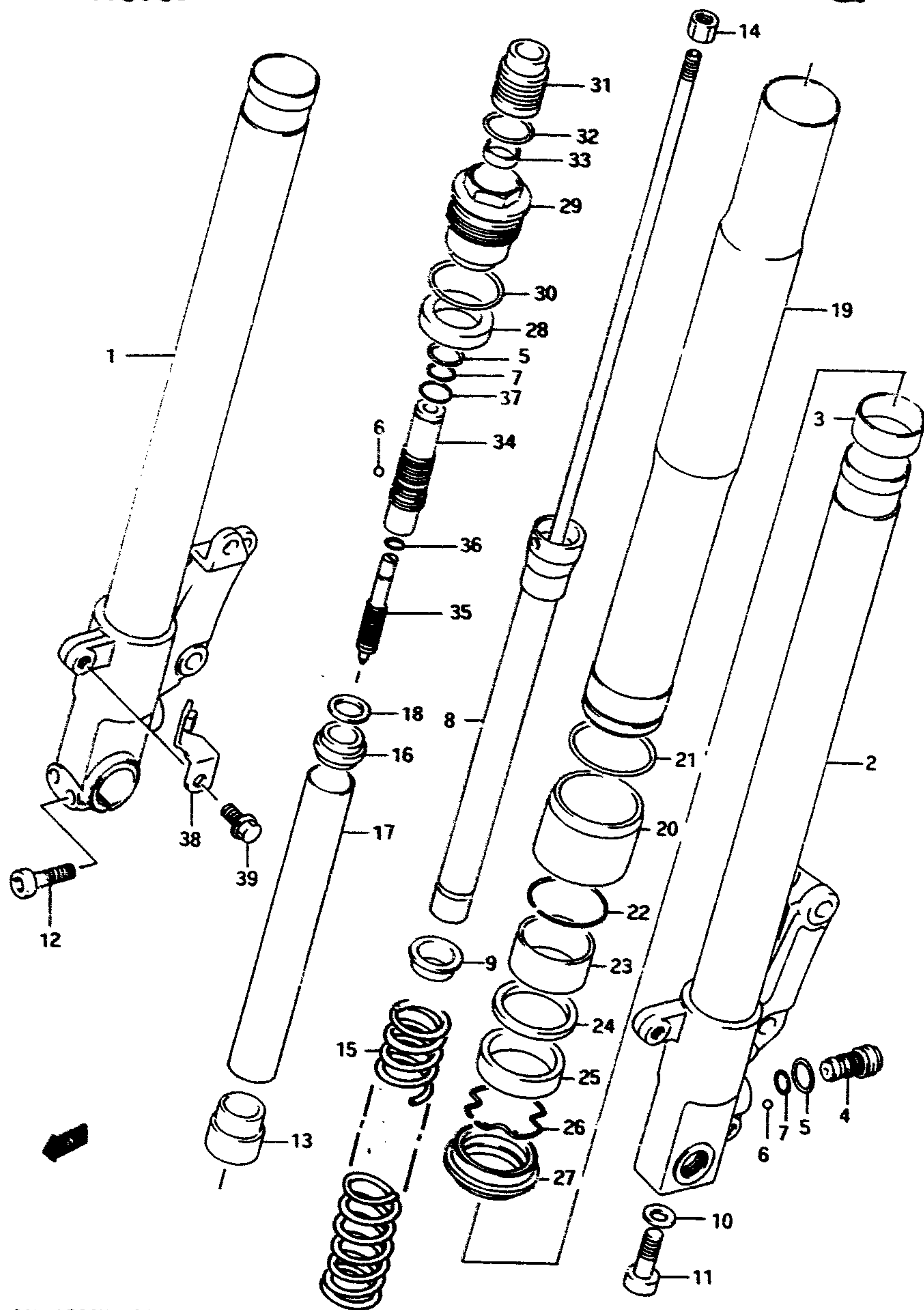
AIR CLEANER...C-5	COWLING BODY...H-8	ELECTRICAL...E-6	FR MASTER CYL...G-12	MUFFLER...E-8	RR MASTER CYL...H-7	STARTING MOTOR...E-2
ALTERNATOR...E-3	COWLING FIT SET...H-11	FOOTREST...F-4	FR WHEEL...G-7	OIL COOLER...C-6	RR SWINGING ARM...H-2	STEERING DAMPER...G-5
BATTERY...E-5	CRANKCASE...B-5	FRAME...F-2	FUEL COCK...F-6	OIL PAN...C-7	RR WHEEL...H-5	STEERING STEM...G-4
CAM CHAIN...B-14	CRANKCASE COVER...B-7	FRAME COVER...F-8	FUEL TANK...F-5	OIL PUMP...B-9	SEAT...F-7	TAIL LAMP...E-10
CAM SHAFT...B-12	CRANKSHAFT...B-10	FR BRAKE HOSE...G-11	GEAR SHIFTING...D-5	OPTIONAL...H-13	SIGNAL GENERATOR...E-4	TRANSMISSION...D-3
CARBURETOR...C-2	CYLINDER...B-4	FR CALIPERS...G-10	HANDLE SWITCH...G-9	RR CALIPER...H-6	SPEEDOMETER...E-7	TURNSIGNAL LAMP...E-9
CARBURETOR FIT...C-4	CYLINDER HEAD...B-3	FR DAMPER...G-2	HANDLEBAR...G-8	RR CUSHION LEVER...H-3	STAND...F-3	WIRING HARNESS...E-11
CLUTCH...D-2	CYL HEAD COVER...B-2	FR FENDER...G-6	HEADLAMP...E-8	RR FENDER...H-4	STARTER CLUTCH...B-11	

<p>FRONT DAMPER</p> 	<p>G-2 STEERING STEM</p> 	<p>G-4 STEERING DAMPER</p> 	<p>G-5 FRONT FENDER</p> 	<p>G-6 FRONT WHEEL</p> 	<p>G-7 HANDLEBAR</p> 
<p>HANDLE SWITCH</p> 	<p>G-9 FRONT CALIPERS</p> 	<p>G-10 FRONT BRAKE HOSE</p> 	<p>G-11 FRONT MASTER CYLINDER</p> 	<p>G-12</p>	

AIR CLEANER.....C-5	COWLING BODY.....H-8	ELECTRICAL.....E-6	FR MASTER CYL.....G-12	MUFFLER.....E-8	RR MASTER CYL.....H-7	STARTING MOTOR..E-2
ALTERNATOR.....E-3	COWLING FIT SET..H-11	FOOTREST.....F-4	FR WHEEL.....G-7	OIL COOLER.....C-6	RR SWINGING ARM..H-2	STEERING DAMPER..G-5
BATTERY.....E-5	CRANKCASE.....B-5	FRAME.....F-2	FUEL COCK.....F-6	OIL PAN.....C-7	RR WHEEL.....H-5	STEERING STEM...G-4
CAM CHAIN.....B-14	CRANKCASE COVER..B-7	FRAME COVER...F-8	FUEL TANK.....F-5	OIL PUMP.....B-9	SEAT.....F-7	TAIL LAMP.....E-10
CAM SHAFT.....B-12	CRANKSHAFT.....B-10	FR BRAKE HOSE..G-11	GEAR SHIFTING..D-5	OPTIONAL.....H-13	SIGNAL GENERATOR..E-4	TRANSMISSION....D-3
CARBURETOR.....C-2	CYLINDER.....B-4	FR CALIPERS...G-10	HANDLE SWITCH..G-9	RR CALIPER.....H-6	SPEEDOMETER.....E-7	TURN SIGNAL LAMP..E-9
CARBURETOR FIT..C-4	CYLINDER HEAD...B-3	FR DAMPER.....G-2	HANDLEBAR.....G-8	RR CUSHION LEVER..H-3	STAND.....F-3	WIRING HARNESS..E-11
CLUTCH.....D-2	CYL HEAD COVER..B-2	FR FENDER.....G-6	HEADLAMP.....E-8	RR FENDER.....H-4	STARTER CLUTCH...B-11	

FIG. 37

FIG. 37 (G- 2) FRONT DAMPER



REF.NO.	PART NO.	DESCRIPTION	Q'TY	REMARKS
	51103-18010	DAMPER ASSY, RH	1	
	51104-18010	DAMPER ASSY, LH	1	
1	51110-18010	.TUBE, inner RH	1	
2	51120-18010	.TUBE, inner LH	1	
3	51121-48B31	.BUSH, slide	2	
4	51830-07000	.PIECE, adjuster lower	2	
5	51834-17C00	.O RING	2	
6	51835-17C00	.BOLL	2	
7	51836-17C00	.EXPANDER	2	
8	52110-18010	.DAMPER, front	2	
9	51815-22000	.PLATE, centerring	2	
10	09161-10009	.GASKET	2	
11	51147-17C00	.BOLT	2	
12	07110-08508	.BOLT, axle holder RH	2	
13	51172-22000	.JOINT, spring lower	2	
14	51827-17C00	.NUT, lod	2	
15	51171-18010	.SPRING	2	
16	51175-22000	.SLIDER	2	
17	51176-18010	.SPACER, spring	2	
18	51172-34A00	.JOINT, spring upper	2	
19	51131-18010	.TUBE, outer	2	
20	51135-17000	.CASE, oil seal	2	
21	51117-08000	.O RING, case	2	
22	51156-08000	.RING, snap	2	
23	51152-48B31	.BUSH, guide	2	
24	51168-38B00	.SPACER, seal	2	
25	51153-08000	.SEAL, oil	2	
26	51556-38B00	.RING, stopper	2	
27	51173-08000	.SEAL, DUST	2	
28	51193-17000	.RUBBER, seat	2	

GSX-R750M E28

GSX-R750M E28

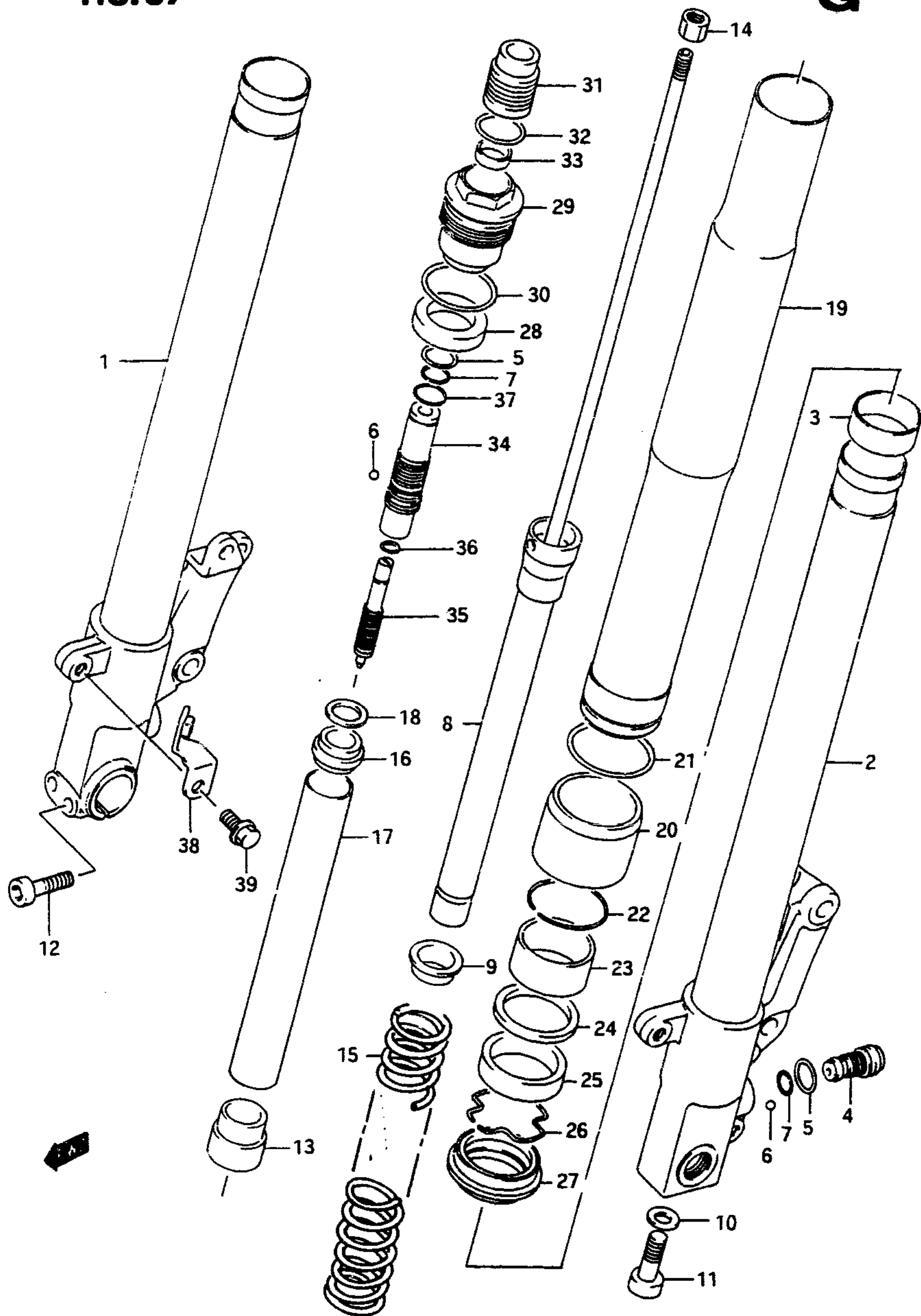
AIR CLEANER...C-5	COWLING BODY...H-8	ELECTRICAL...E-6	FR MASTER CYL...G-12	MUFFLER...E-8	RR MASTER CYL...H-7	STARTING MOTOR...E-2
ALTERNATOR...E-3	COWLING FIT SET...H-11	FOOTREST...F-4	FR WHEEL...G-7	OIL COOLER...C-6	RR SWINGING ARM...H-2	STEERING DAMPER...G-5
BATTERY...E-5	CRANKCASE...B-5	FRAME...F-2	FUEL COCK...F-6	OIL PAN...C-7	RR WHEEL...H-5	STEERING STEM...G-4
CAM CHAIN...B-14	CRANKCASE COVER...B-7	FRAME COVER...F-8	FUEL TANK...F-5	OIL PUMP...B-9	SEAT...F-7	TAIL LAMP...E-10
CAM SHAFT...B-12	CRANKSHAFT...B-10	FR BRAKE HOSE...G-11	GEAR SHIFTING...D-5	OPTIONAL...H-13	SIGNAL GENERATOR...E-4	TRANSMISSION...D-3
CARBURETOR...C-2	CYLINDER...B-4	FR CALIPERS...G-10	HANDLE SWITCH...G-9	RR CALIPER...H-6	SPEEDOMETER...E-7	TURN SIGNAL LAMP...E-9
CARBURETOR FIT...C-4	CYLINDER HEAD...B-3	FR DAMPER...G-2	HANDLEBAR...G-8	RR CUSHION LEVER...H-3	STAND...F-3	WIRING HARNESS...E-11
CLUTCH...D-2	CYL HEAD COVER...B-2	FR FENDER...G-6	HEADLAMP...E-8	RR FENDER...H-4	STARTER CLUTCH...B-11	

FIG.37

G - 3

44

FIG.37 (G- 3) FRONT DAMPER



REF.NO.	PART NO.	DESCRIPTION	Q'TY	REMARKS
29	51189-18D00	.BOLT, fork	2	
30	51187-08D00	.O RING, fork bolt	2	
31	51828-17D00	.ADJUSTER, spring	2	
32	51199-17D00	.O RING, adjuster outer	2	
33	51823-17D00	.PLATE, spring adjuster	2	
34	51829-17D00	.CASE, adjuster	2	
35	51821-17D00	.PIECE, adjuster upper	2	
36	51824-17C00	.O RING	2	
37	51837-17D00	.RING, stopper	2	
38-1	51590-17D10	PLATE, front fender RH	1	
38-2	51580-17D10	PLATE, front fender LH	1	
39	01517-08128	BOLT	2	

GSX-R750M E28

GSX-R750M E28

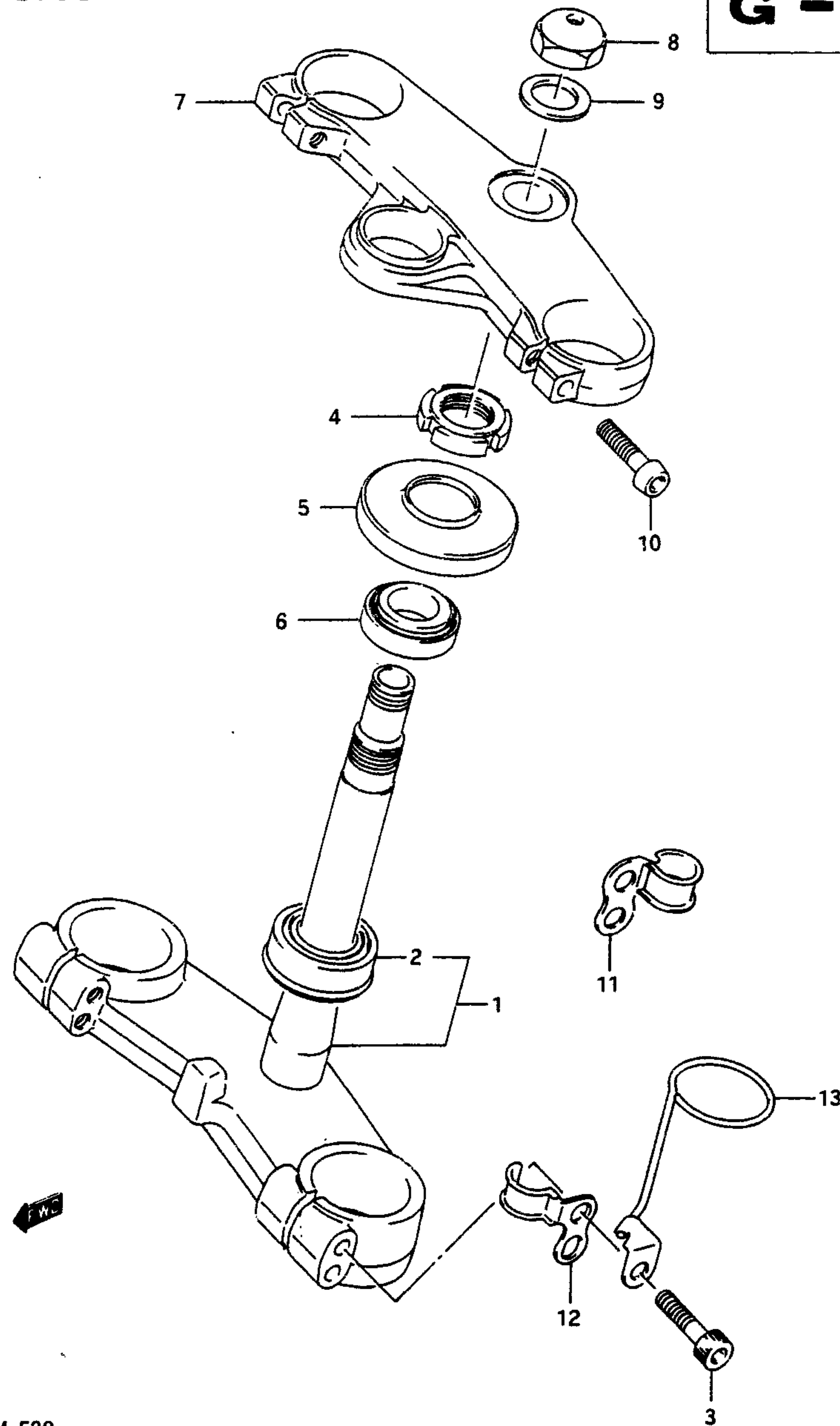
AIR CLEANER...C-5	COWLING BODY...H-8	ELECTRICAL...E-6	FR MASTER CYL.G-12	MUFFLER.....E-8	RR MASTER CYL....H-7	STARTING MOTOR..E-2
ALTERNATOR.....E-3	COWLING FIT SET.H-11	FOOTREST.....F-4	FR WHEEL.....G-7	OIL COOLER.....C-6	RR SWINGING ARM..H-2	STEERING DAMPER.G-5
BATTERY.....E-5	CRANKCASE.....B-5	FRAME.....F-2	FUEL COCK.....F-6	OIL PAN.....C-7	RR WHEEL.....H-5	STEERING STEM...G-4
CAM CHAIN.....B-14	CRANKCASE COVER.B-7	FRAME COVER...F-8	FUEL TANK.....F-5	OIL PUMP.....B-9	SEAT.....F-7	TAIL LAMP.....E-10
CAM SHAFT.....B-12	CRANKSHAFT.....B-10	FR BRAKE HOSE.G-11	GEAR SHIFTING.D-5	OPTIONAL.....H-13	SIGNAL GENERATOR.E-4	TRANSMISSION...D-3
CARBURETOR.....C-2	CYLINDER.....B-4	FR CALIPERS...G-10	HANDLE SWITCH.G-9	RR CALIPER.....H-6	SPEEDOMETER.....E-7	URNSIGNAL LAMP.E-9
CARBURETOR FIT.C-4	CYLINDER HEAD..B-3	FR DAMPER.....G-2	HANDLEBAR.....G-8	RR CUSHION LEVER.H-3	STAND.....F-3	WIRING HARNESS..E-11
CLUTCH.....D-2	CYL HEAD COVER..B-2	FR FENDER.....G-6	HEADLAMP.....E-8	RR FENDER.....H-4	STARTER CLUTCH...B-11	

FIG. 38

G - 4

45

FIG. 38 (G- 4) STEERING STEM



REF.NO.	PART NO.	DESCRIPTION	Q'TY	REMARKS
1	51410-17000	STEM, steering	1	
2	09265-30009	.BEARING	1	
3	09106-10022	BOLT, lower	4	
4	51631-28000	NUT, steering stem	1	
5	09285-34007	DUST COVER, steering upper	1	
6	09265-25008	BEARING	1	
7	51311-17000	BRACKET, upper	1	
8	51353-17000	NUT	1	
9	51354-17000	WASHER	1	
10	51328-18000	BOLT, upper	2	
11	34938-41000	CLAMP, meter cable	1	
12	58285-17000	CLAMP, clutch cable	1	
13	51740-17000	HOLDER, steering damper	1	

GSX-R750M E28

GSX-R750M E28

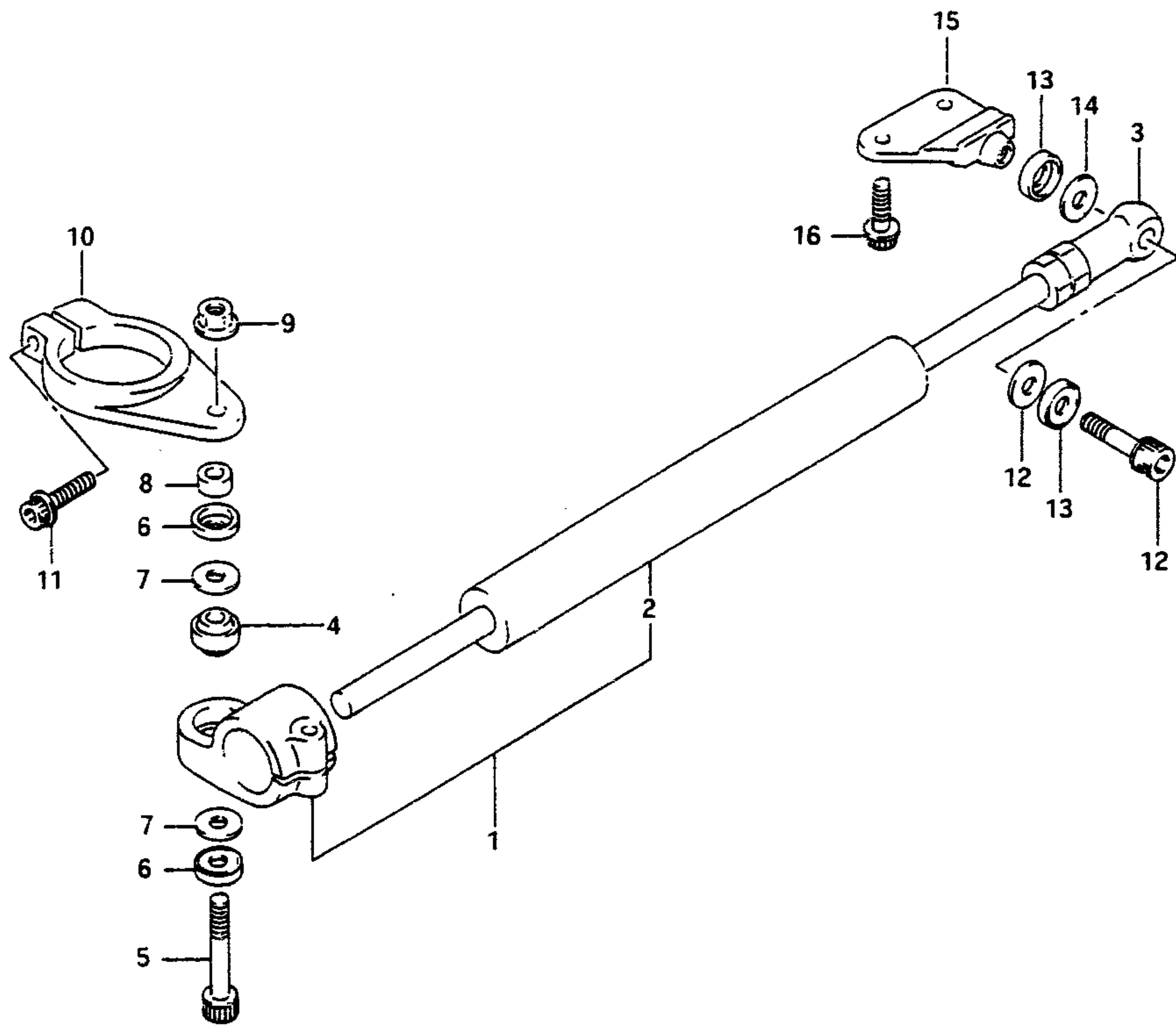
AIR CLEANER.....C-5	COWLING BODY.....H-8	ELECTRICAL.....E-6	FR MASTER CYL.G-12	MUFFLER.....E-8	RR MASTER CYL.....H-7	STARTING MOTOR..E-2
ALTERNATOR.....E-3	COWLING FIT SET.H-11	FOOTREST.....F-4	FR WHEEL.....G-7	OIL COOLER.....C-6	RR SWINGING ARM..H-2	STEERING DAMPER.G-5
BATTERY.....E-5	CRANKCASE.....B-5	FRAME.....F-2	FUEL COCK.....F-6	OIL PAN.....C-7	RR WHEEL.....H-5	STEERING STEM...G-4
CAM CHAIN.....B-14	CRANKCASE COVER.B-7	FRAME COVER...F-8	FUEL TANK.....F-5	OIL PUMP.....B-9	SEAT.....F-7	TAIL LAMP.....E-10
CAM SHAFT.....B-12	CRANKSHAFT.....B-10	FR BRAKE HOSE.G-11	GEAR SHIFTING.D-5	OPTIONAL.....H-13	SIGNAL GENERATOR.E-4	TRANSMISSION....D-3
CARBURETOR.....C-2	CYLINDER.....B-4	FR CALIPERS...G-10	HANDLE SWITCH.G-9	RR CALIPER.....H-6	SPEEDOMETER.....E-7	TURNSIGNAL LAMP.E-9
CARBURETOR FIT.C-4	CYLINDER HEAD..B-3	FR DAMPER.....G-2	HANDLEBAR.....G-8	RR CUSHION LEVER.H-3	STAND.....F-3	WIRING HARNESS..E-11
CLUTCH.....D-2	CYL HEAD COVER..B-2	FR FENDER.....G-6	HEADLAMP.....E-8	RR FENDER.....H-4	STARTER CLUTCH...B-11	

FIG. 39

G - 5

46

FIG. 39 (G- 5) STEERING DAMPER



REF.NO.	PART NO.	DESCRIPTION	Q'TY	REMARKS
1	51750-40C21	DAMPER ASSY, steering	1	
2	51759-40C21	.DAMPER, steering	1	
3	51760-40C01	.END, lod	1	
4	09269-08003	.BEARING	1	
5	07110-08407	BOLT	1	
6	64339-40410	DUST SEAL	2	
7	08221-08126	SHIM	2	
8	09180-08130	SPACER	1	
9	08319-31087	NUT	1	
10	51781-17D00	BRACKET, fork	1	
11	07120-06358	BOLT	1	
12	07110-08357	BOLT	1	
13	64339-40410	DUST SEAL	2	
14	08221-08126	SHIM	2	
15	41680-17D00	BOSS, steering damper	1	
16	01517-06204	BOLT	2	

GSX-R750M E28

GSX-R750M E28

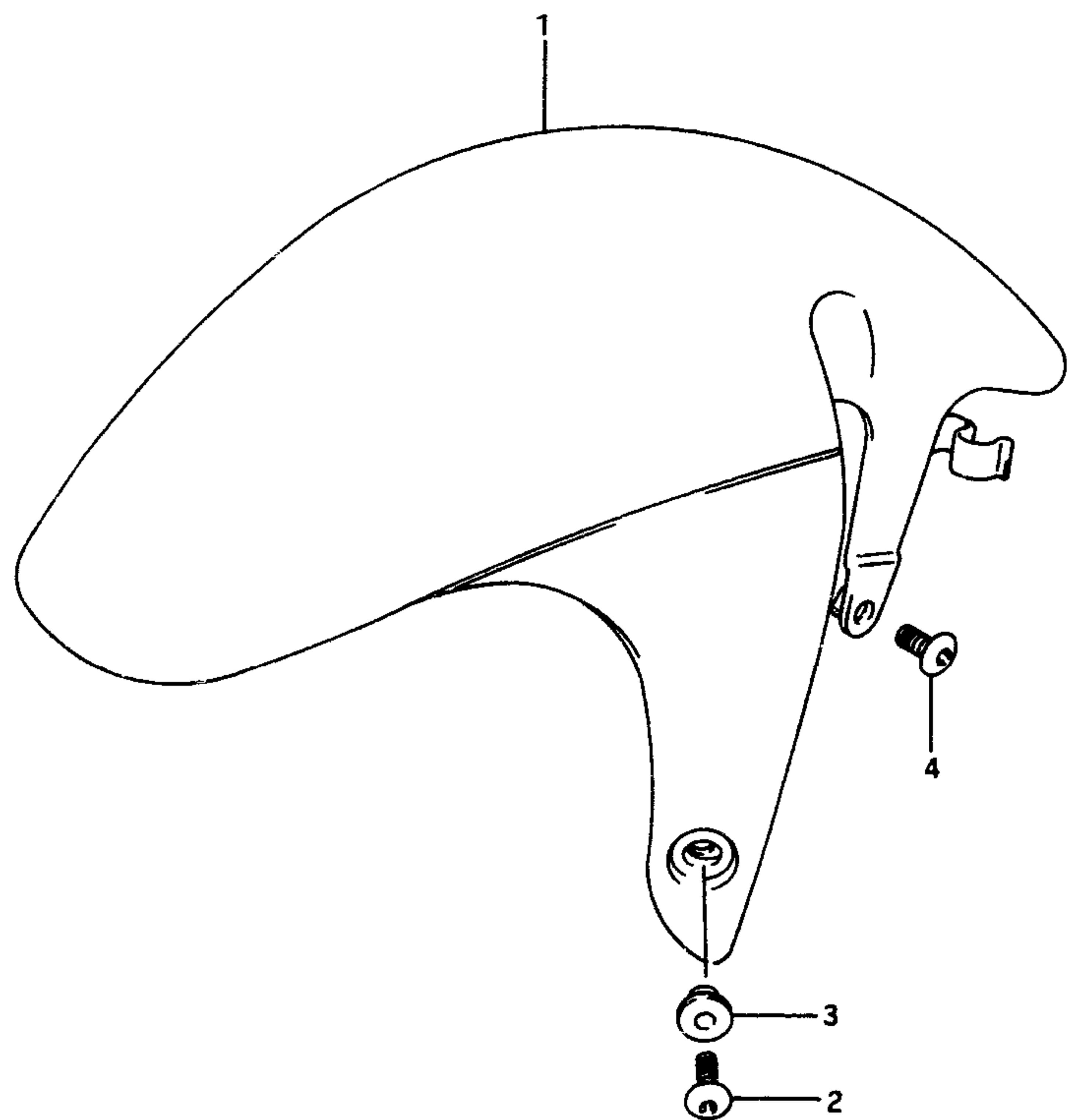
AIR CLEANER.....C-5	COWLING BODY.....H-8	ELECTRICAL.....E-6	FR MASTER CYL.....G-12	MUFFLER.....E-8	RR MASTER CYL.....H-7	STARTING MOTOR...E-2
ALTERNATOR.....E-3	COWLING FIT SET..H-11	FOOTREST.....F-4	FR WHEEL.....G-7	OIL COOLER.....C-6	RR SWINGING ARM..H-2	STEERING DAMPER..G-5
BATTERY.....E-5	CRANKCASE.....B-5	FRAME.....F-2	FUEL COCK.....F-6	OIL PAN.....C-7	RR WHEEL.....H-5	STEERING STEM...G-4
CAM CHAIN.....B-14	CRANKCASE COVER..B-7	FRAME COVER...F-8	FUEL TANK.....F-5	OIL PUMP.....B-9	SEAT.....F-7	TAIL LAMP.....E-10
CAM SHAFT.....B-12	CRANKSHAFT.....B-10	FR BRAKE HOSE..G-11	GEAR SHIFTING..D-5	OPTIONAL.....H-13	SIGNAL GENERATOR..E-4	TRANSMISSION....D-3
CARBURETOR.....C-2	CYLINDER.....B-4	FR CALIPERS...G-10	HANDLE SWITCH..G-9	RR CALIPER.....H-6	SPEEDOMETER.....E-7	TURN SIGNAL LAMP..E-9
CARBURETOR FIT..C-4	CYLINDER HEAD...B-3	FR DAMPER.....G-2	HANDLEBAR.....G-8	RR CUSHION LEVER..H-3	STAND.....F-3	WIRING HARNESS...E-11
CLUTCH.....D-2	CYL HEAD COVER..B-2	FR FENDER.....G-6	HEADLAMP.....E-8	RR FENDER.....H-4	STARTER CLUTCH...B-11	

FIG.40

G - 6

47

FIG.40 (G- 6) FRONT FENDER



REF.NO.	PART NO.	DESCRIPTION	Q'TY	REMARKS
1-1	53110-17D20-0NG	FENDER, front (Blue)	1	for 3SL
1-2	53110-17D20-17U	FENDER, front (Gray)	1	for 05X
1-3	53110-17D20-28V	FENDER, front (Red)	1	for 3RZ
2	09139-06030	SCREW, front	2	
3	09161-06021	WASHER, front	2	
4	09139-08007	SCREW, rear	2	

GSX-R750M E28

GSX-R750M E28

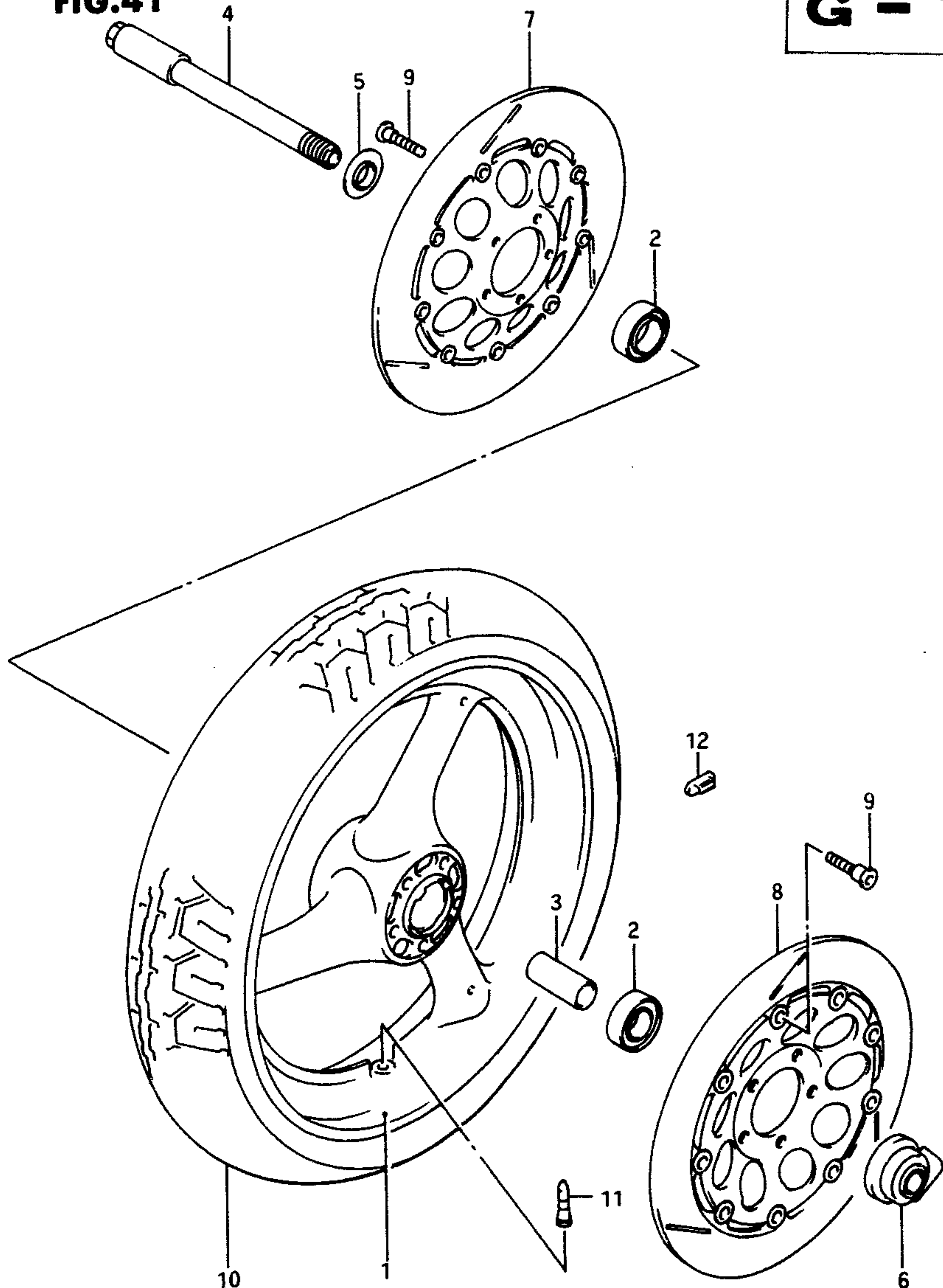
AIR CLEANER.....C-5	COWLING BODY.....H-8	ELECTRICAL.....E-6	FR MASTER CYL.G-12	MUFFLER.....E-8	RR MASTER CYL.....H-7	STARTING MOTOR..E-2
ALTERNATOR.....E-3	COWLING FIT SET.H-11	FOOTREST.....F-4	FR WHEEL.....G-7	OIL COOLER.....C-6	RR SWINGING ARM..H-2	STEERING DAMPER.G-5
BATTERY.....E-5	CRANKCASE.....B-5	FRAME.....F-2	FUEL COCK.....F-6	OIL PAN.....C-7	RR WHEEL.....H-5	STEERING STEM..G-4
CAM CHAIN.....B-14	CRANKCASE COVER.B-7	FRAME COVER...F-8	FUEL TANK.....F-5	OIL PUMP.....B-9	SEAT.....F-7	TAIL LAMP.....E-10
CAM SHAFT.....B-12	CRANKSHAFT.....B-10	FR BRAKE HOSE.G-11	GEAR SHIFTING.D-5	OPTIONAL.....H-13	SIGNAL GENERATOR.E-4	TRANSMISSION....D-3
CARBURETOR.....C-2	CYLINDER.....B-4	FR CALIPERS...G-10	HANDLE SWITCH.G-9	RR CALIPER.....H-6	SPEEDOMETER.....E-7	TURN SIGNAL LAMP.E-9
CARBURETOR FIT.C-4	CYLINDER HEAD..B-3	FR DAMPER.....G-2	HANDLEBAR.....G-8	RR CUSHION LEVER.H-3	STAND.....F-3	WIRING HARNESS..E-11
CLUTCH.....D-2	CYL HEAD COVER..B-2	FR FENDER.....G-6	HEADLAMP.....E-8	RR FENDER.....H-4	STARTER CLUTCH...B-11	

FIG.41

G - 7

48

FIG.41 (G- 7) FRONT WHEEL



REF.NO.	PART NO.	DESCRIPTION	Q'TY	REMARKS
1-1	54111-17C00-28W	WHEEL, front (17xMT3.50) White	1	for 3SL,3RZ
1-2	54111-17C00-1DR	WHEEL, front (17xMT3.50) Purple	1	for 05X
2	08123-62047	BEARING	2	
3	09180-20103	SPACER	1	
4	54711-17D00	AXLE, front	1	
5	54740-17C00	SPACER, bearing RH	1	
6	54600-17C00	BOX ASSY, speedometer gear	1	
7	59210-40C02	DISC, front brake RH	1	
8	59220-40C02	DISC, front brake LH	1	
9	09106-08062	BOLT	10	
10	55110-41C00	TIRE, front (120/70 ZR17) (DUNLOP)	1	
11	43130-24A00	VALVE	1	
12-1	55411-00A00	BALANCER (10g)	0-3	
12-2	55412-00A00	BALANCER (20g)	0-3	
12-3	55413-00A00	BALANCER (30g)	0-3	

GSX-R750M E28

GSX-R750M E28

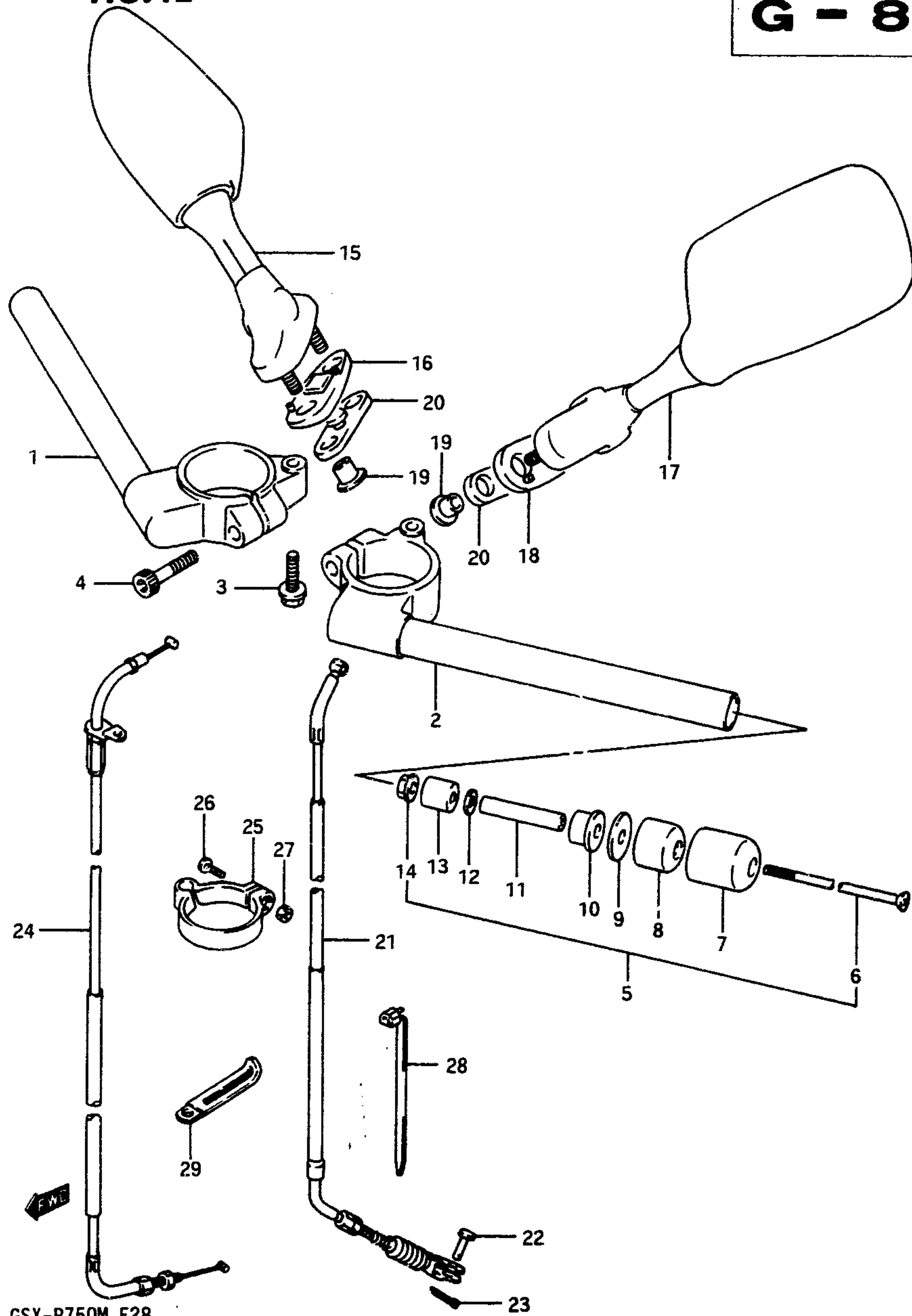
AIR CLEANER...C-5	COWLING BODY...H-8	ELECTRICAL...E-6	FR MASTER CYL...G-12	MUFFLER...E-8	RR MASTER CYL...H-7	STARTING MOTOR...E-2
ALTERNATOR...E-3	COWLING FIT SET...H-11	FOOTREST...F-4	FR WHEEL...G-7	OIL COOLER...C-6	RR SWINGING ARM...H-2	STEERING DAMPER...G-5
BATTERY...E-5	CRANKCASE...B-5	FRAME...F-2	FUEL COCK...F-6	OIL PAN...C-7	RR WHEEL...H-5	STEERING STEM...G-4
CAM CHAIN...B-14	CRANKCASE COVER...B-7	FRAME COVER...F-8	FUEL TANK...F-5	OIL PUMP...B-9	SEAT...F-7	TAIL LAMP...E-10
CAM SHAFT...B-12	CRANKSHAFT...B-10	FR BRAKE HOSE...G-11	GEAR SHIFTING...D-5	OPTIONAL...H-13	SIGNAL GENERATOR...E-4	TRANSMISSION...D-3
CARBURETOR...C-2	CYLINDER...B-4	FR CALIPERS...G-10	HANDLE SWITCH...G-9	RR CALIPER...H-6	SPEEDOMETER...E-7	TURN SIGNAL LAMP...E-9
CARBURETOR FIT...C-4	CYLINDER HEAD...B-3	FR DAMPER...G-2	HANDLEBAR...G-8	RR CUSHION LEVER...H-3	STAND...F-3	WIRING HARNESS...E-11
CLUTCH...D-2	CYL HEAD COVER...B-2	FR FENDER...G-6	HEADLAMP...E-8	RR FENDER...H-4	STARTER CLUTCH...B-11	

FIG.42

G - 8

49

FIG.42 (G- 8) HANDLEBAR



GSX-R750M E28

GSX-R750M E28

REF.NO.	PART NO.	DESCRIPTION	Q'TY	REMARKS
1	56111-17D00	HANDLEBAR, RH	1	
2	56151-17D00	HANDLEBAR, LH	1	
3	01517-06204	BOLT	2	
4	07110-08355	BOLT	2	
5	56200-17810	BALANCER SET, handlebar	2	
6	09127-06017	.SCREW	2	
7	56274-12C00	.CAP	2	
8	56271-17D00	.BALANCER	2	
9	56275-34400	.SPACER	2	
10	56272-17D00	.EXPANDER	2	
11	56276-17D00	.SPACER	2	
12	08322-21067	.WASHER	2	
13	56272-44500	.EXPANDER	2	
14	09159-06024	.NUT	2	
15-1	56500-18D00-ONE	MIRROR ASSY, rear view RH (Blue)	1	for 3SL
15-2	56500-18D00-84N	MIRROR ASSY, rear View RH (Black)	1	for 05X,3RZ
16	56528-18D00	.CUSHION, mirror RH	1	
17-1	56600-18D00-ONE	MIRROR ASSY, rear view LH (Blue)	1	for 3SL
17-2	56600-18D00-84N	MIRROR ASSY, rear view LH (Black)	1	for 05X,3RZ
18	56628-18D00	.CUSHION, mirror LH	1	
19	56619-12C00	NUT, mirror	4	
20	94576-41C00	CUSHION, mirror	2	
21	58200-18D00	CABLE ASSY, clutch	1	
22	09200-06011	PIN	1	
23	04111-20158	PIN, cotter	1	
24	58300-18D00	CABLE ASSY, throttle	1	
25	58285-17D02	CLAMP, clutch cable	1	
26	02142-05204	SCREW	1	
27	08310-12055	NUT	1	
28	09407-25401	CLAMP	1	
29	09404-06402	CLAMP, throttle cable	1	

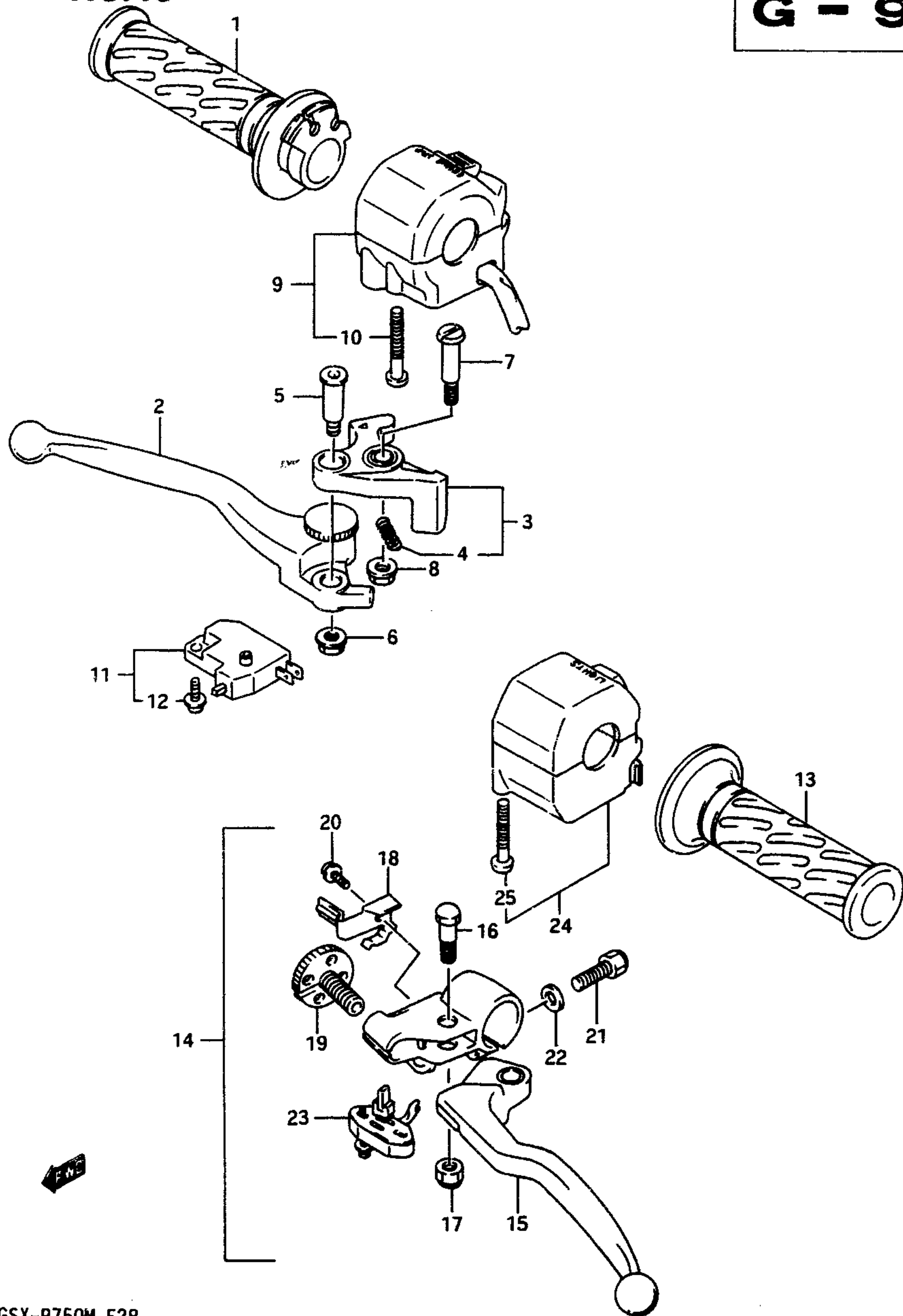
AIR CLEANER.....C-5	COWLING BODY.....H-8	ELECTRICAL.....E-6	FR MASTER CYL.G-12	MUFFLER.....E-8	RR MASTER CYL.....H-7	STARTING MOTOR...E-2
ALTERNATOR.....E-3	COWLING FIT SET.H-11	FOOTREST.....F-4	FR WHEEL.....G-7	OIL COOLER.....C-6	RR SWINGING ARM..H-2	STEERING DAMPER.G-5
BATTERY.....E-5	CRANKCASE.....B-5	FRAME.....F-2	FUEL COCK.....F-6	OIL PAN.....C-7	RR WHEEL.....H-5	STEERING STEM...G-4
CAM CHAIN.....B-14	CRANKCASE COVER.B-7	FRAME COVER...F-8	FUEL TANK.....F-5	OIL PUMP.....B-9	SEAT.....F-7	TAIL LAMP.....E-10
CAM SHAFT.....B-12	CRANKSHAFT.....B-10	FR BRAKE HOSE.G-11	GEAR SHIFTING.D-5	OPTIONAL.....H-13	SIGNAL GENERATOR.E-4	TRANSMISSION....D-3
CARBURETOR.....C-2	CYLINDER.....B-4	FR CALIPERS...G-10	HANDLE SWITCH.G-9	RR CALIPER.....H-6	SPEEDOMETER.....E-7	URNSIGNAL LAMP.E-9
CARBURETOR FIT.C-4	CYLINDER HEAD..B-3	FR DAMPER.....G-2	HANDLEBAR.....G-8	RR CUSHION LEVER.H-3	STAND.....F-3	WIRING HARNESS..E-11
CLUTCH.....D-2	CYL HEAD COVER..B-2	FR FENDER.....G-6	HEADLAMP.....E-8	RR FENDER.....H-4	STARTER CLUTCH...B-11	

FIG.43

G - 9

50

FIG.43 (G- 9) HANDLE SWITCH



REF.NO.	PART NO.	DESCRIPTION	Q'TY	REMARKS
1	57110-22D01	GRIP, throttle	1	
2	57420-32C00	LEVER, adjust	1	
3	57430-40C00	KNOCKER	1	
4	57438-32C00	.SPRING	1	
5	57437-32C00	BOLT	1	
6	08319-31065	NUT	1	
7	57431-17C00	BOLT, lever	1	
8	08316-16064	NUT	1	
9	37200-41C30	SWITCH ASSY, handle RH	1	
10	02112-05455	.SCREW	2	
11	57460-17C00	SWITCH ASSY, stop	1	
12	57465-17C00	.SCREW	1	
13	57211-22D00	GRIP, LH	1	
14	57500-18D10	LEVER ASSY, clutch	1	
15	57620-27A31	.LEVER, clutch	1	
16	57431-49110	.BOLT	1	
17	08319-21065	.NUT	1	
18	57644-20A02	.ADJUSTER, cable	1	
19	57641-20A03	.NUT, lock	1	
20	02112-74085	.SCREW	1	
21	01204-06204	.BOLT	1	
22	08322-21064	.WASHER	1	
23	57560-18D10	.SWITCH, clutch	1	
24	37400-18D10	SWITCH ASSY, handle LH	1	
25	02112-05455	.SCREW	2	

GSX-R750M E28

GSX-R750M E28

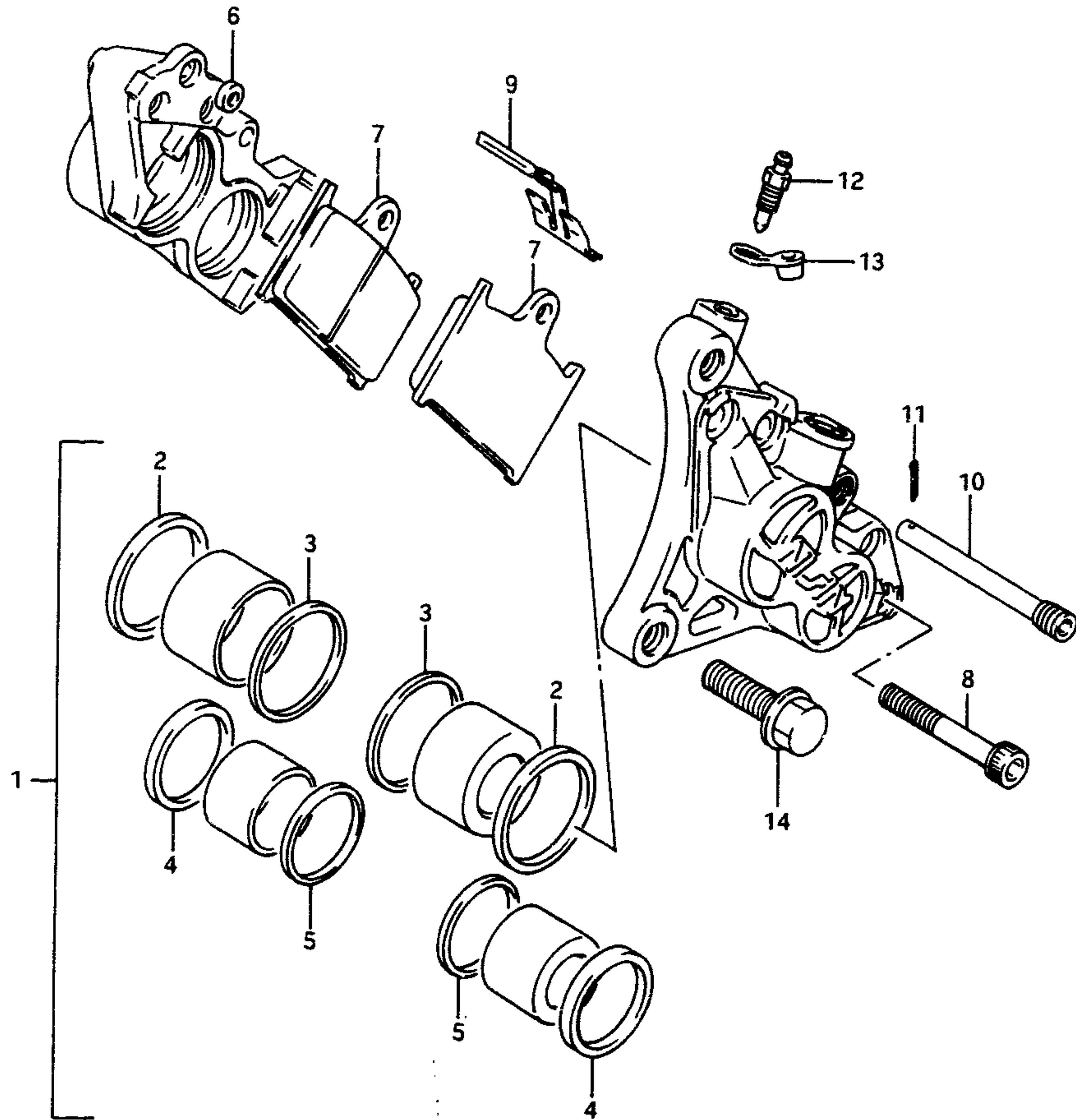
AIR CLEANER.....C-5	COWLING BODY.....H-8	ELECTRICAL.....E-6	FR MASTER CYL.G-12	MUFFLER.....E-8	RR MASTER CYL.....H-7	STARTING MOTOR..E-2
ALTERNATOR.....E-3	COWLING FIT SET.H-11	FOOTREST.....F-4	FR WHEEL.....G-7	OIL COOLER.....C-6	RR SWINGING ARM..H-2	STEERING DAMPER.G-5
BATTERY.....E-5	CRANKCASE.....B-5	FRAME.....F-2	FUEL COCK.....F-6	OIL PAN.....C-7	RR WHEEL.....H-5	STEERING STEM...G-4
CAM CHAIN.....B-14	CRANKCASE COVER.B-7	FRAME COVER..F-8	FUEL TANK.....F-5	OIL PUMP.....B-9	SEAT.....F-7	TAIL LAMP.....E-10
CAM SHAFT.....B-12	CRANKSHAFT.....B-10	FR BRAKE HOSE.G-11	GEAR SHIFTING.D-5	OPTIONAL.....H-13	SIGNAL GENERATOR.E-4	TRANSMISSION....D-3
CARBURETOR.....C-2	CYLINDER.....B-4	FR CALIPERS..G-10	HANDLE SWITCH.G-9	RR CALIPER.....H-6	SPEEDOMETER.....E-7	URNSIGNAL LAMP.E-9
CARBURETOR FIT.C-4	CYLINDER HEAD..B-3	FR DAMPER.....G-2	HANDLEBAR.....G-8	RR CUSHION LEVER.H-3	STAND.....F-3	WIRING HARNESS..E-11
CLUTCH.....D-2	CYL HEAD COVER..B-2	FR FENDER.....G-6	HEADLAMP.....E-8	RR FENDER.....H-4	STARTER CLUTCH...B-11	

FIG.44

G - 10

51

FIG.44 (G-10) FRONT CALIPERS



REF.NO.	PART NO.	DESCRIPTION	Q'TY	REMARKS
	59100-33C00	CALIPER ASSY, RH	1	
	59300-33C00	CALIPER ASSY, LH	1	
1	59100-17830	.PISTON SET	2	
2	59107-13A00	..SEAL, piston	4	
3	59108-13A00	..BOOT	4	
4	59107-17C00	..SEAL, piston	4	
5	59108-17C00	..BOOT	4	
6	69107-17C00	..SEAL	4	
7	59130-33C00	.PAD	4	
8	59145-17C00	.BOLT, housing	8	
9	59315-17C00	.SPRING	2	
10	59345-33C00	.PIN	2	
11	04111-16158	.PIN, cotter	2	
12	59121-01A00	.BLEEDER	2	
13	59122-01A00	.CAP	2	
14	01517-10305	BOLT	4	

GSX-R750M E28

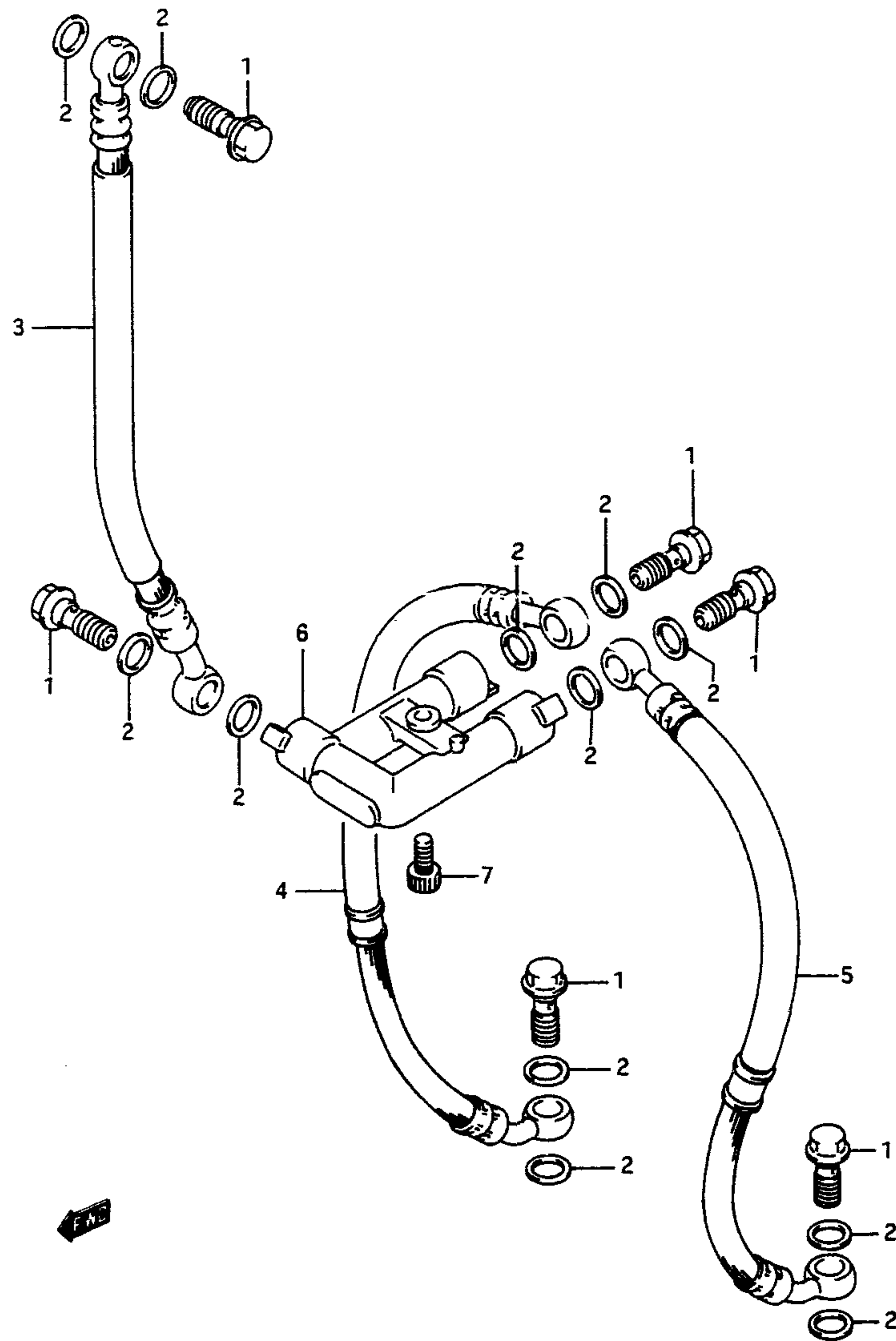
GSX-R750M E28

AIR CLEANER...C-5	COWLING BODY...H-8	ELECTRICAL...E-6	FR MASTER CYL...G-12	MUFFLER.....E-8	RR MASTER CYL...H-7	STARTING MOTOR..E-2
ALTERNATOR.....E-3	COWLING FIT SET..H-11	FOOTREST.....F-4	FR WHEEL.....G-7	OIL COOLER.....C-6	RR SWINGING ARM..H-2	STEERING DAMPER..G-5
BATTERY.....E-5	CRANKCASE.....B-5	FRAME.....F-2	FUEL COCK.....F-6	OIL PAN.....C-7	RR WHEEL.....H-5	STEERING STEM...G-4
CAM CHAIN.....B-14	CRANKCASE COVER..B-7	FRAME COVER...F-8	FUEL TANK.....F-5	OIL PUMP.....B-9	SEAT.....F-7	TAIL LAMP.....E-10
CAM SHAFT.....B-12	CRANKSHAFT.....B-10	FR BRAKE HOSE..G-11	GEAR SHIFTING..D-5	OPTIONAL.....H-13	SIGNAL GENERATOR..E-4	TRANSMISSION....D-3
CARBURETOR.....C-2	CYLINDER.....B-4	FR CALIPERS...G-10	HANDLE SWITCH..G-9	RR CALIPER.....H-6	SPEEDOMETER.....E-7	TURN SIGNAL LAMP..E-9
CARBURETOR FIT..C-4	CYLINDER HEAD...B-3	FR DAMPER.....G-2	HANDLEBAR.....G-8	RR CUSHION LEVER..H-3	STAND.....F-3	WIRING HARNESS..E-11
CLUTCH.....D-2	CYL HEAD COVER..B-2	FR FENDER.....G-6	HEADLAMP.....E-8	RR FENDER.....H-4	STARTER CLUTCH...B-11	

FIG.45

G - 11

FIG.45 (G-11) FRONT BRAKE HOSE



REF.NO.	PART NO.	DESCRIPTION	Q'TY	REMARKS
1	09360-10017	BOLT	6	
2	09161-10009	WASHER	12	
3	59480-17D10	HOSE, front brake No.1	1	
4	59240-17D00	HOSE, front brake No.2,RH	1	
5	59440-17D00	HOSE, front brake No.2,LH	1	
6	59491-40C01	JOINT, brake hose	1	
7	07110-06165	BOLT	1	

GSX-R750M E28

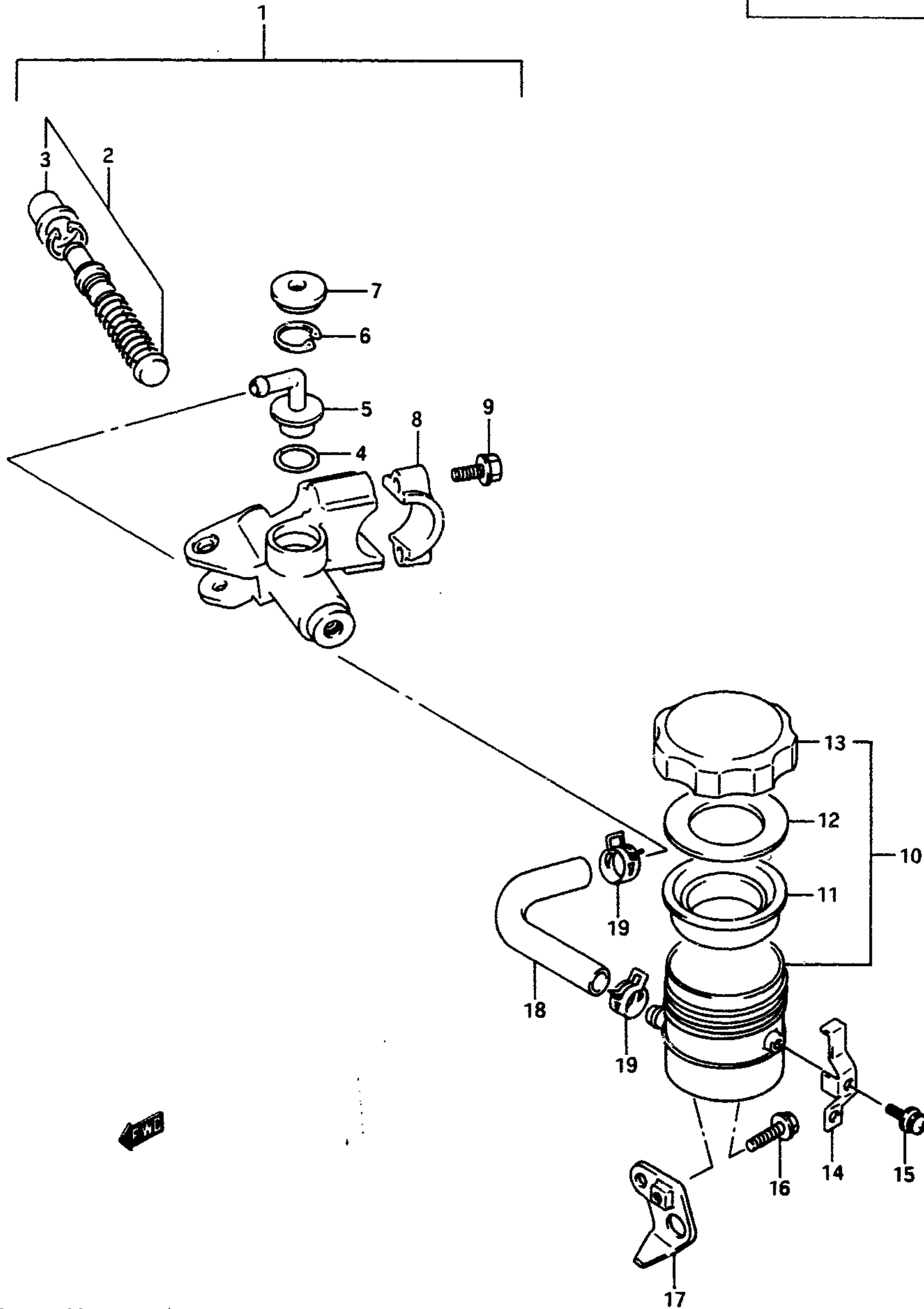
GSX-R750M E28

AIR CLEANER.....C-5	COWLING BODY.....H-8	ELECTRICAL.....E-6	FR MASTER CYL.G-12	MUFFLER.....E-8	RR MASTER CYL....H-7	STARTING MOTOR..E-2
ALTERNATOR.....E-3	COWLING FIT SET.H-11	FOOTREST.....F-4	FR WHEEL.....G-7	OIL COOLER.....C-6	RR SWINGING ARM..H-2	STEERING DAMPER.G-5
BATTERY.....E-5	CRANKCASE.....B-5	FRAME.....F-2	FUEL COCK.....F-6	OIL PAN.....C-7	RR WHEEL.....H-5	STEERING STEM...G-4
CAM CHAIN.....B-14	CRANKCASE COVER.B-7	FRAME COVER...F-8	FUEL TANK.....F-5	OIL PUMP.....B-9	SEAT.....F-7	TAIL LAMP.....E-10
CAM SHAFT.....B-12	CRANKSHAFT.....B-10	FR BRAKE HOSE.G-11	GEAR SHIFTING.D-5	OPTIONAL.....H-13	SIGNAL GENERATOR.E-4	TRANSMISSION....D-3
CARBURETOR.....C-2	CYLINDER.....B-4	FR CALIPERS...G-10	HANDLE SWITCH.G-9	RR CALIPER.....H-6	SPEEDOMETER.....E-7	TURN SIGNAL LAMP.E-9
CARBURETOR FIT.C-4	CYLINDER HEAD..B-3	FR DAMPER.....G-2	HANDLEBAR.....G-8	RR CUSHION LEVER.H-3	STAND.....F-3	WIRING HARNESS..E-11
CLUTCH.....D-2	CYL HEAD COVER..B-2	FR FENDER.....G-6	HEADLAMP.....E-8	RR FENDER.....H-4	STARTER CLUTCH...B-11	

FIG.46

G - 12

FIG.46 (G-12) FRONT MASTER CYLINDER

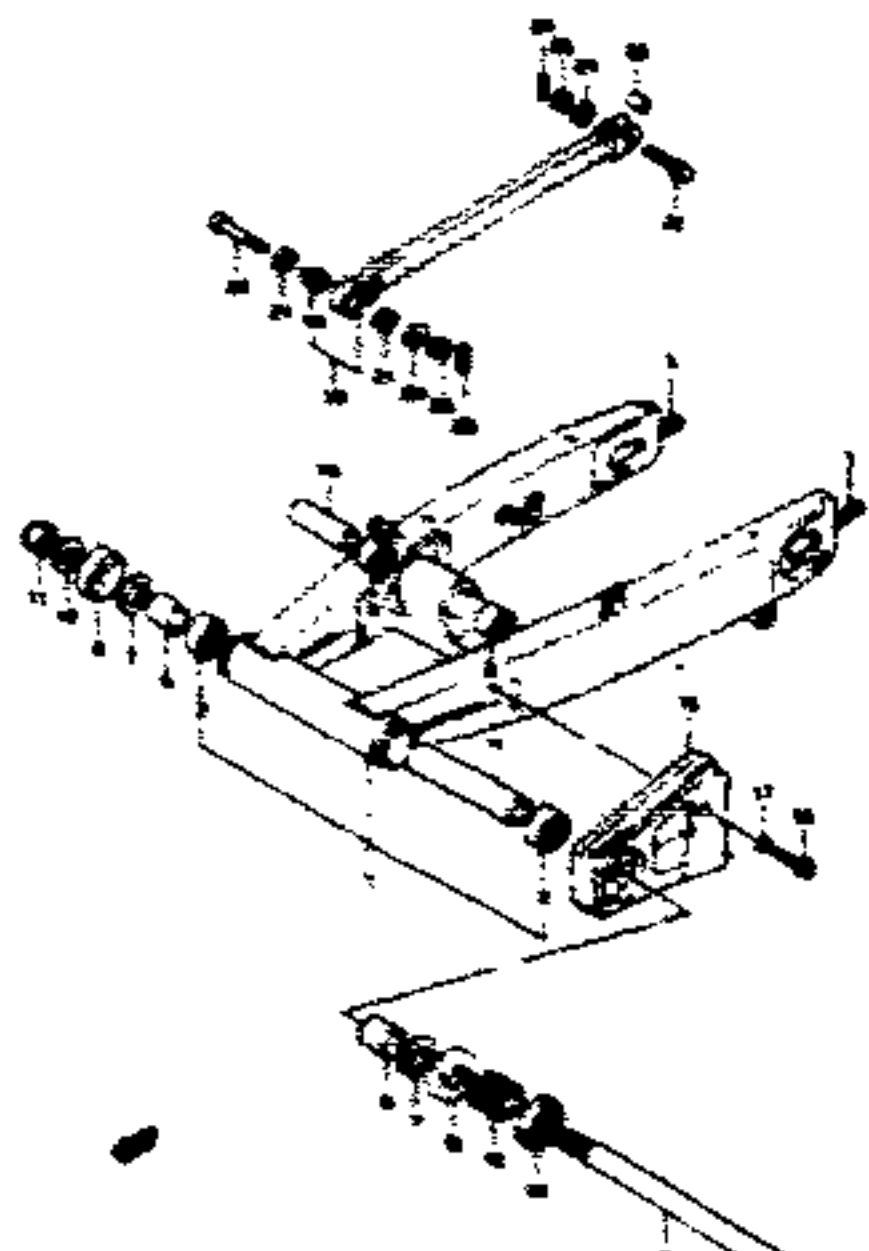
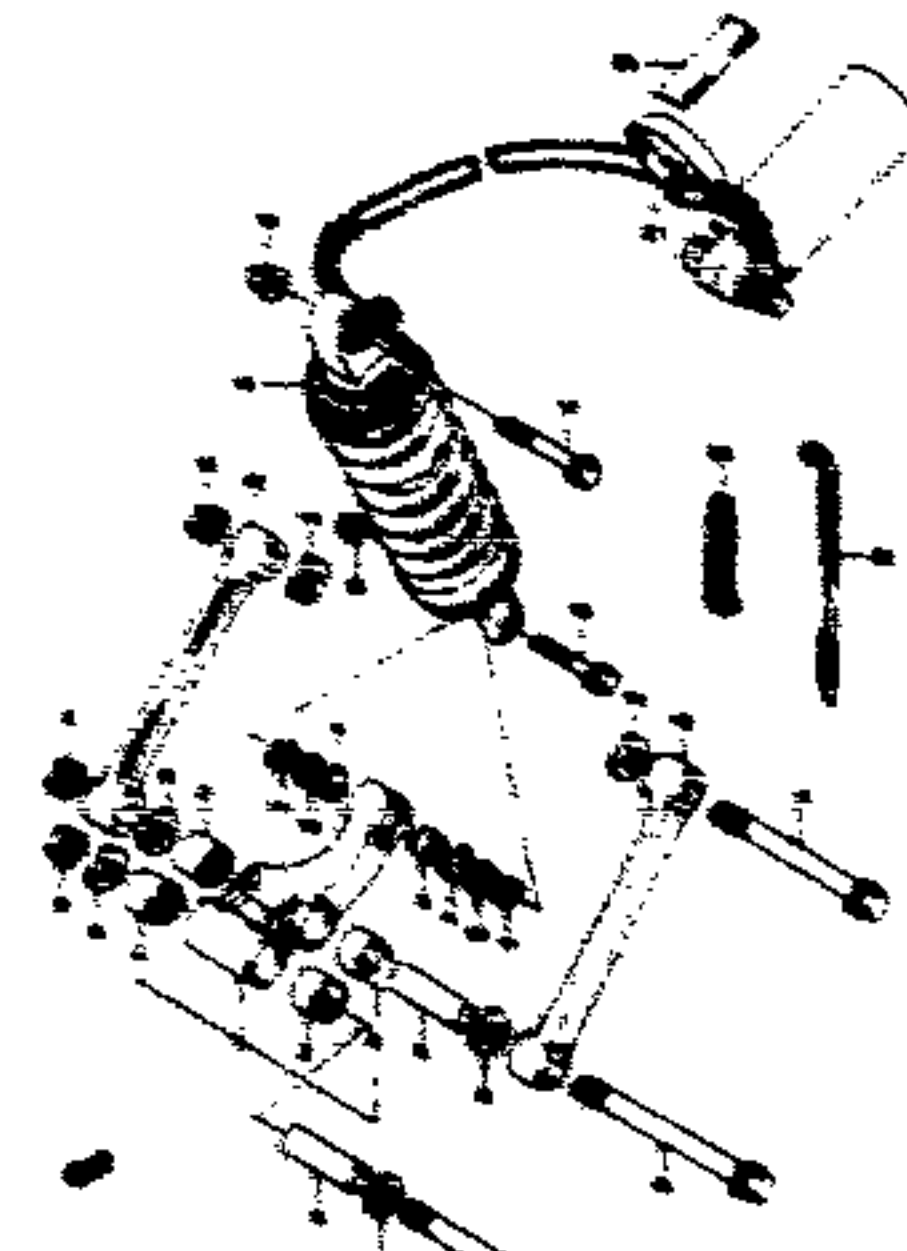
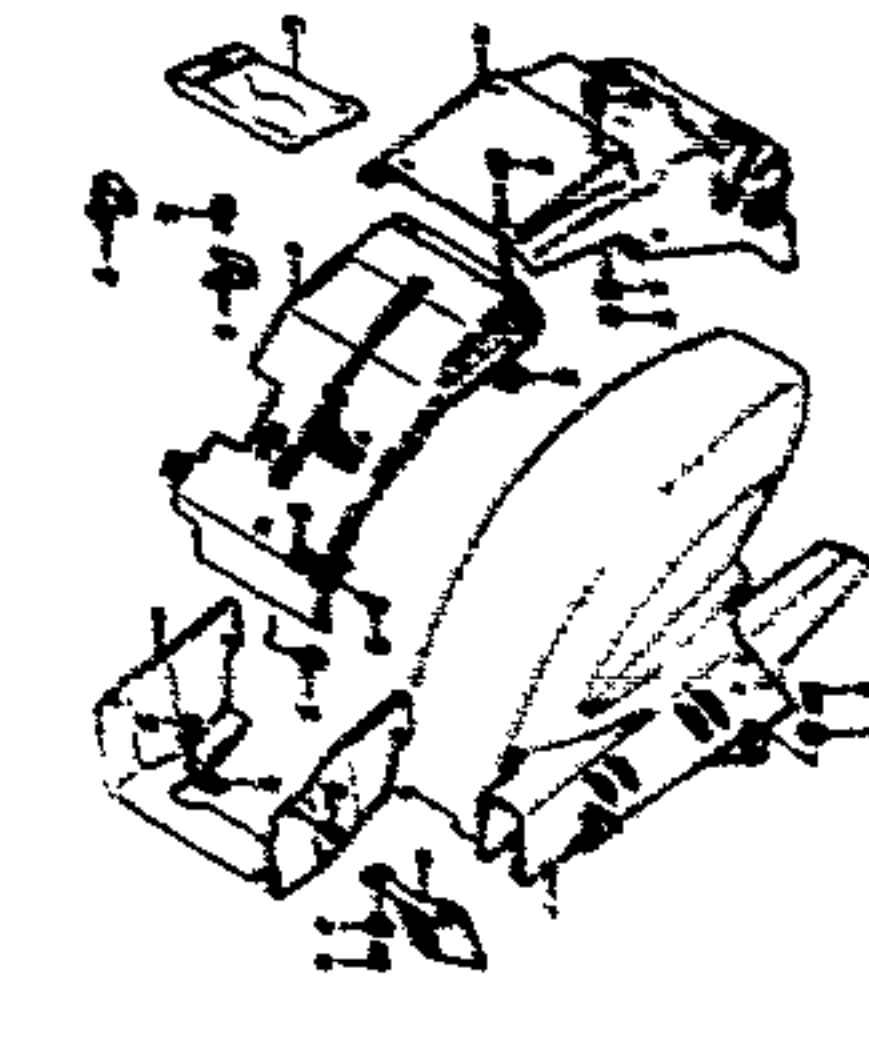
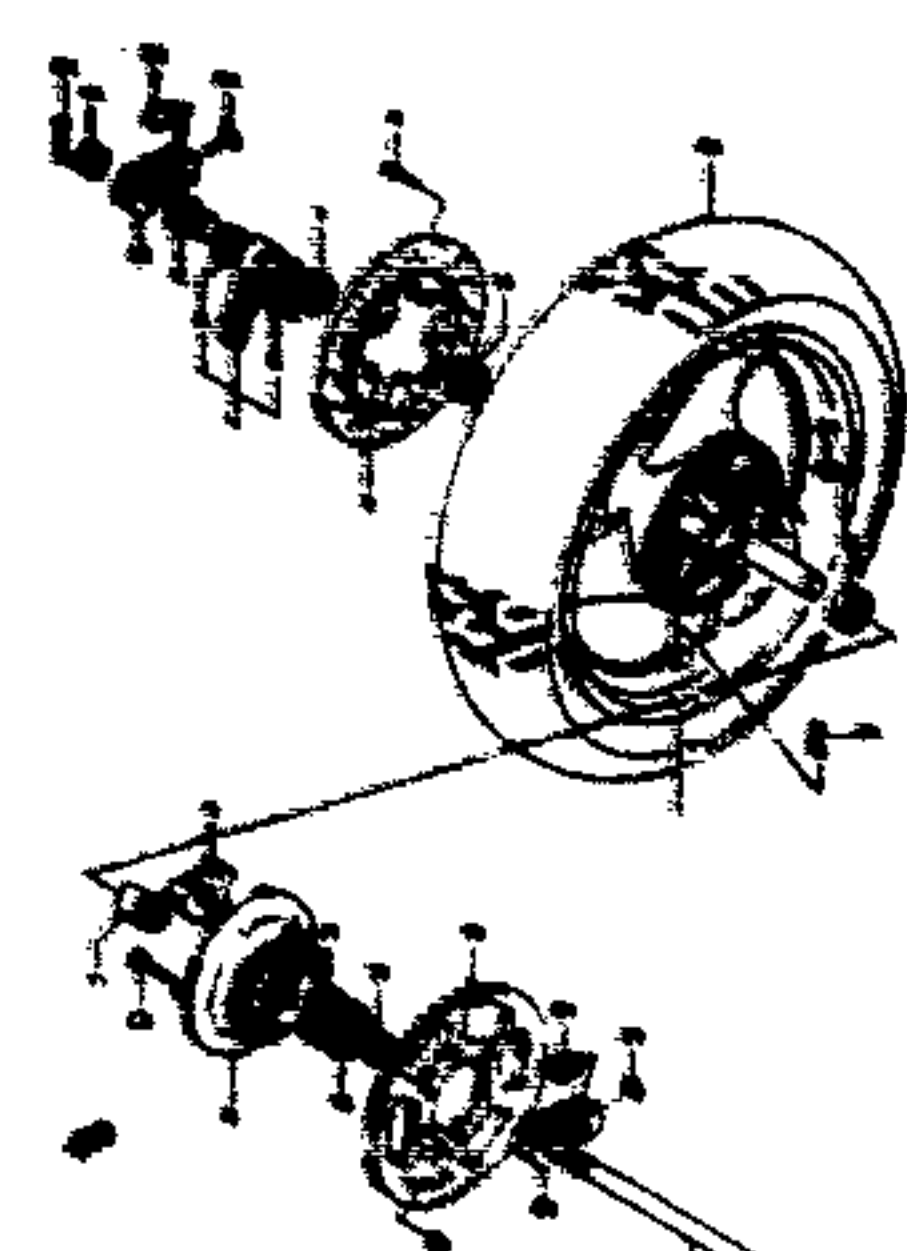
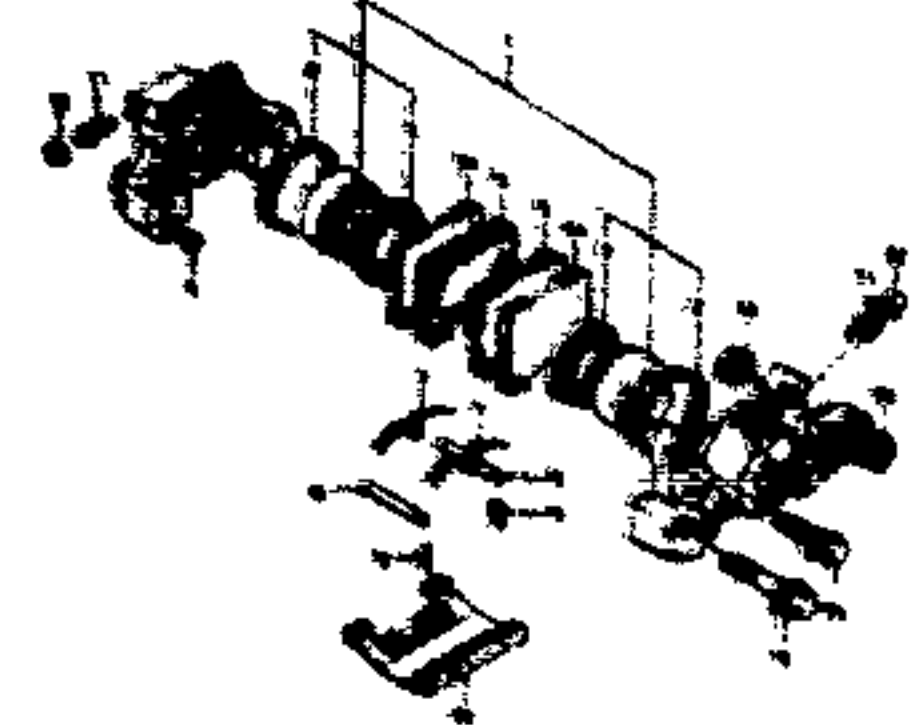
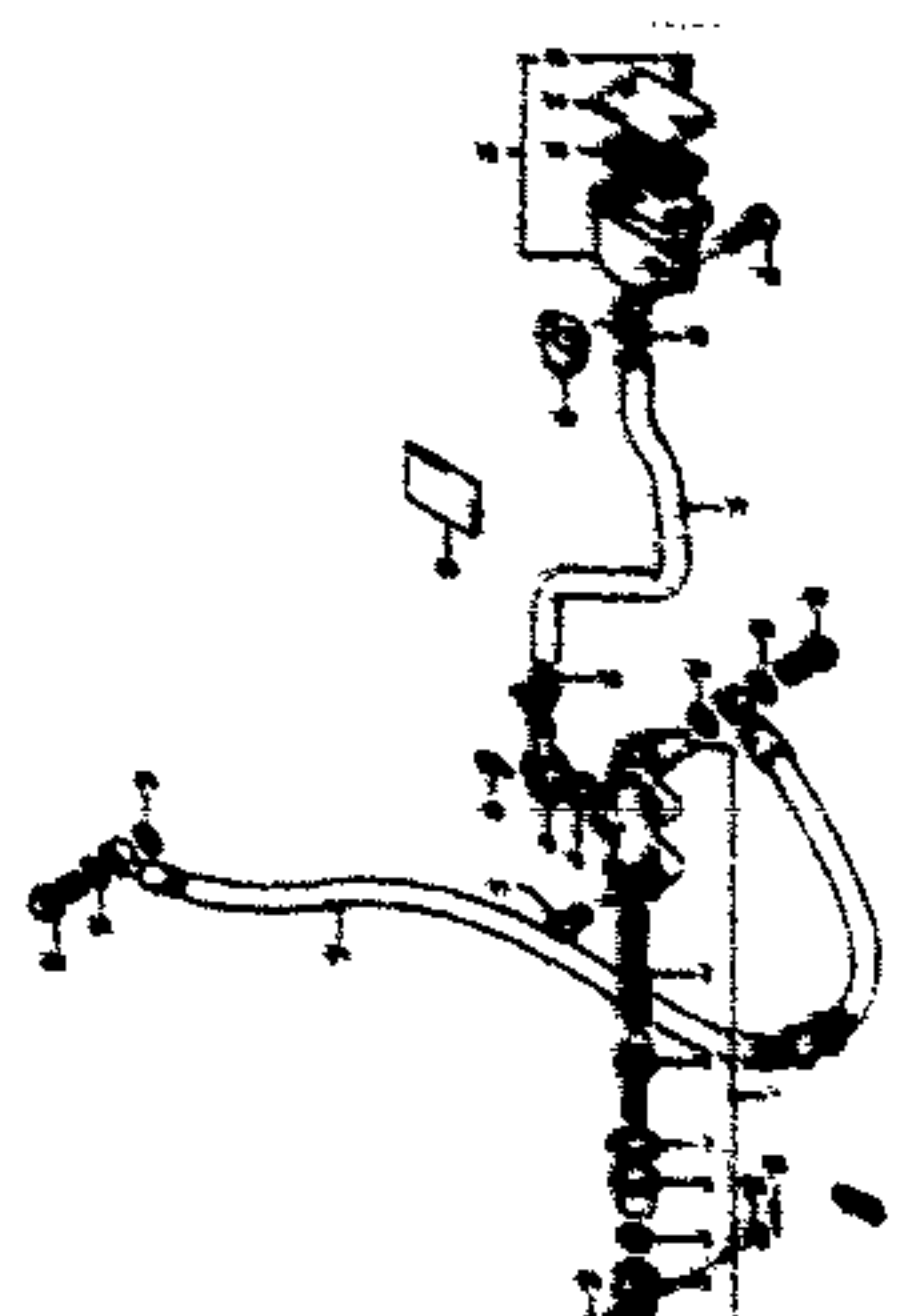
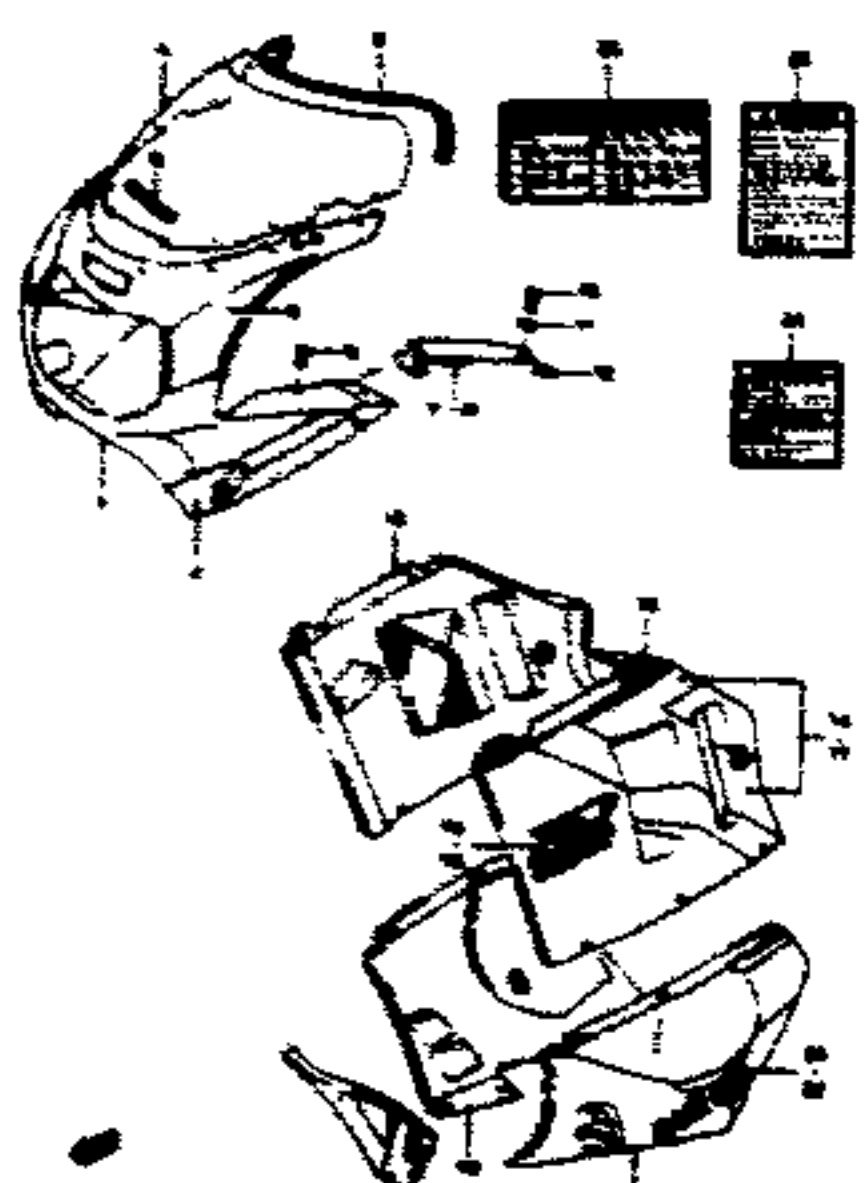
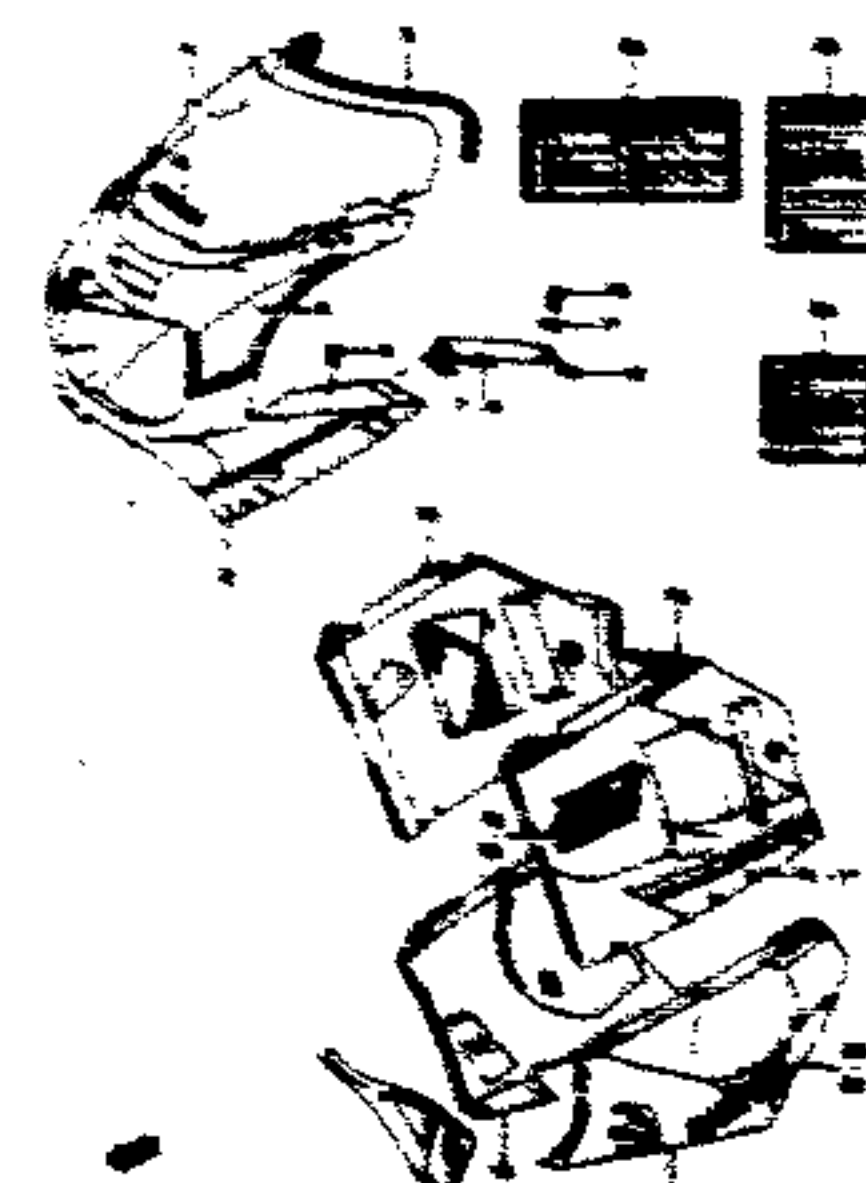
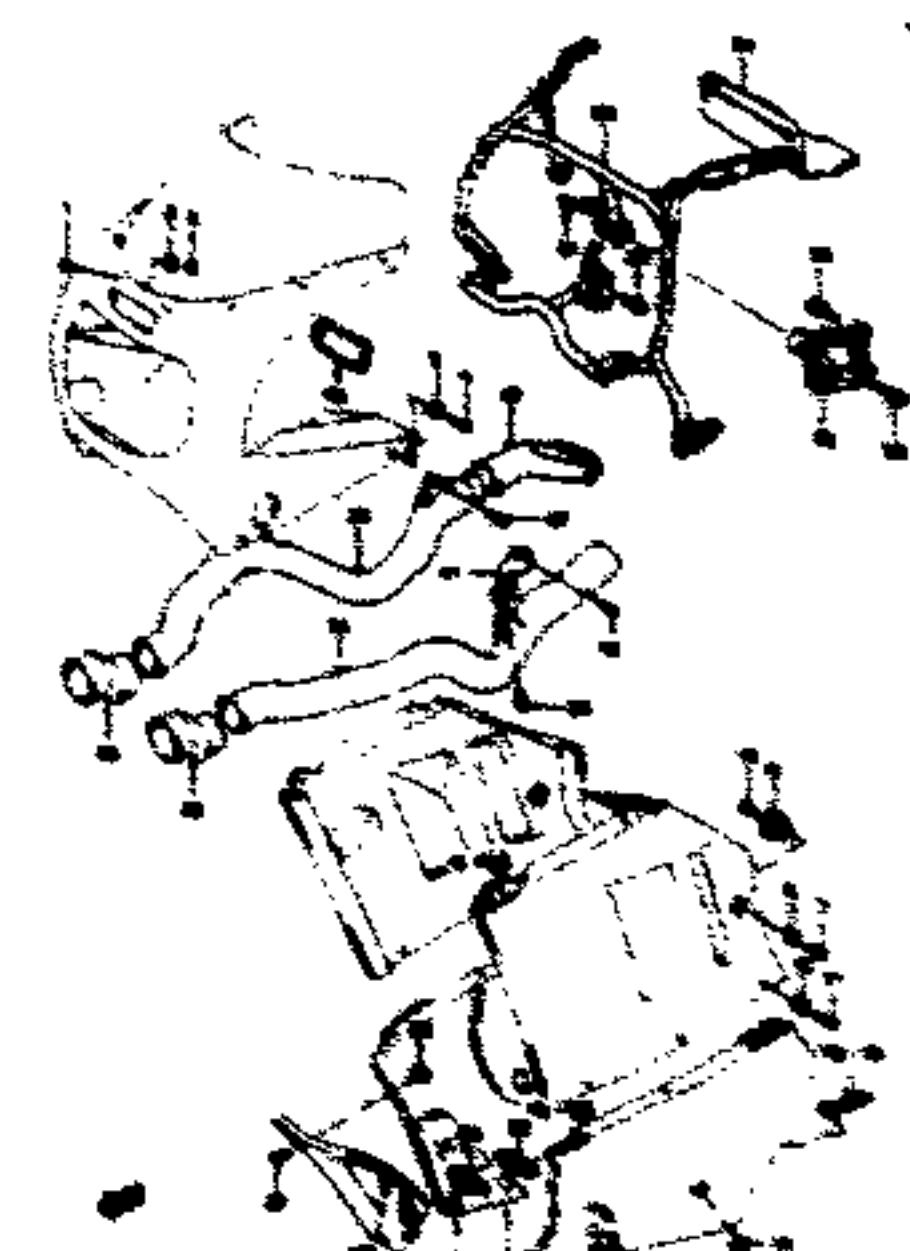
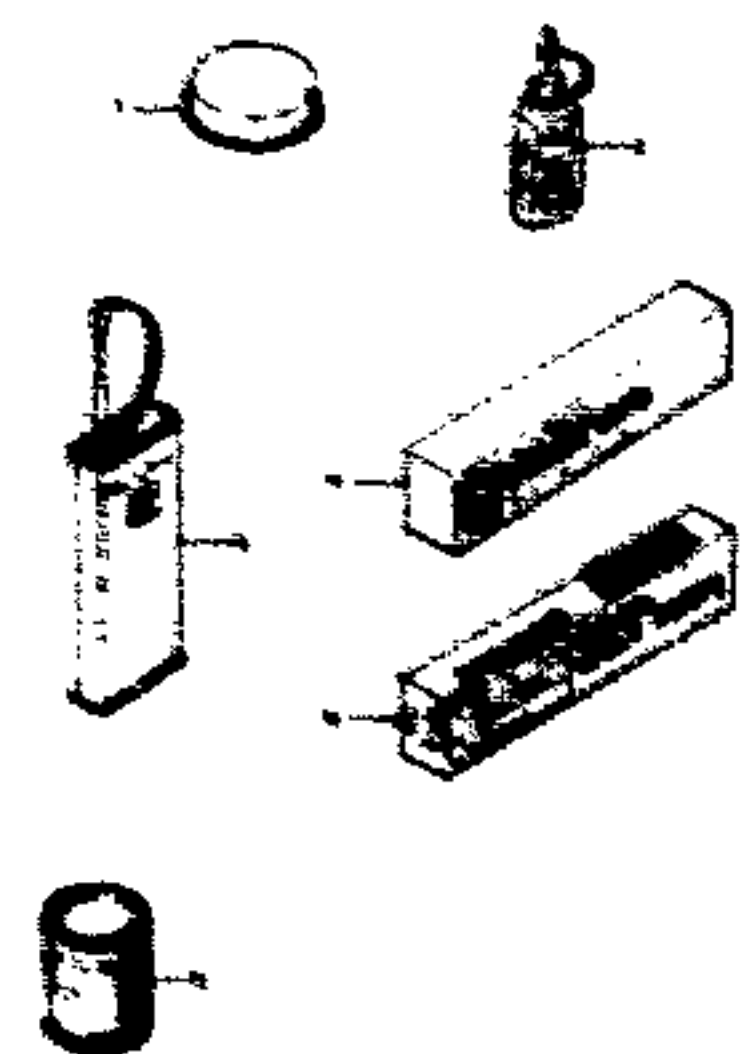


REF.NO.	PART NO.	DESCRIPTION	Q'TY	REMARKS
1	59600-32C00	CYLINDER ASSY, front master	1	
2	59600-45860	.PISTON/CUP SET	1	
3	59666-44300	..BOOT	1	
4	69686-34200	.O RING	1	
5	59672-17C00	.CONNECTOR	1	
6	69674-00B20	.CIRCLIP	1	
7	59673-17C00	.COVER, dust	1	
8	59671-36500	.HOLDER	1	
9	59675-17C00	.BOLT	2	
10	59740-07D00	TANK ASSY, reservoir	1	
11	59667-18441	.DIAPHRAGM	1	
12	59668-18441	.PLATE	1	
13	59669-07D00	.CAP	1	
14	59743-17C00	PLATE, tank cap	1	
15	02112-74128	SCREW	1	
16	01517-06167	BOLT	1	
17	59750-17C00	BRACKET, tank	1	
18	59731-17D00	HOSE, tank	1	
19	59735-17C00	CLAMP, hose	2	

GSX-R750M E28

GSX-R750M E28

AIR CLEANER.....C-5	COWLING BODY.....H-8	ELECTRICAL.....E-6	FR MASTER CYL.G-12	MUFFLER.....E-8	RR MASTER CYL....H-7	STARTING MOTOR..E-2
ALTERNATOR.....E-3	COWLING FIT SET.H-11	FOOTREST.....F-4	FR WHEEL.....G-7	OIL COOLER.....C-6	RR SWINGING ARM..H-2	STEERING DAMPER.G-5
BATTERY.....E-5	CRANKCASE.....B-5	FRAME.....F-2	FUEL COCK.....F-6	OIL PAN.....C-7	RR WHEEL.....H-5	STEERING STEM...G-4
CAM CHAIN.....B-14	CRANKCASE COVER.B-7	FRAME COVER...F-8	FUEL TANK.....F-5	OIL PUMP.....B-9	SEAT.....F-7	TAIL LAMP.....E-10
CAM SHAFT.....B-12	CRANKSHAFT.....B-10	FR BRAKE HOSE.G-11	GEAR SHIFTING.D-5	OPTIONAL.....H-13	SIGNAL GENERATOR.E-4	TRANSMISSION....D-3
CARBURETOR.....C-2	CYLINDER.....B-4	FR CALIPERS...G-10	HANDLE SWITCH.G-9	RR CALIPER.....H-6	SPEEDOMETER.....E-7	TURN SIGNAL LAMP.E-9
CARBURETOR FIT.C-4	CYLINDER HEAD..B-3	FR DAMPER.....G-2	HANDLEBAR.....G-8	RR CUSHION LEVER.H-3	STAND.....F-3	WIRING HARNESS..E-11
CLUTCH.....D-2	CYL HEAD COVER..B-2	FR FENDER.....G-6	HEADLAMP.....E-8	RR FENDER.....H-4	STARTER CLUTCH...B-11	

<p>REAR SWINGING ARM</p> 	<p>H-2 REAR CUSHION LEVER</p> 	<p>H-3 REAR FENDER</p> 	<p>H-4 REAR WHEEL</p> 	<p>H-5 REAR CALIPER</p> 	<p>H-6 REAR MASTER CYLINDER</p> 
<p>COUPLING BODY (3SL/3RZ)</p> 	<p>H-8 COUPLING BODY (05X)</p> 	<p>H-10 COUPLING FITTING SET</p> 	<p>H-11 OPTIONAL</p> 		

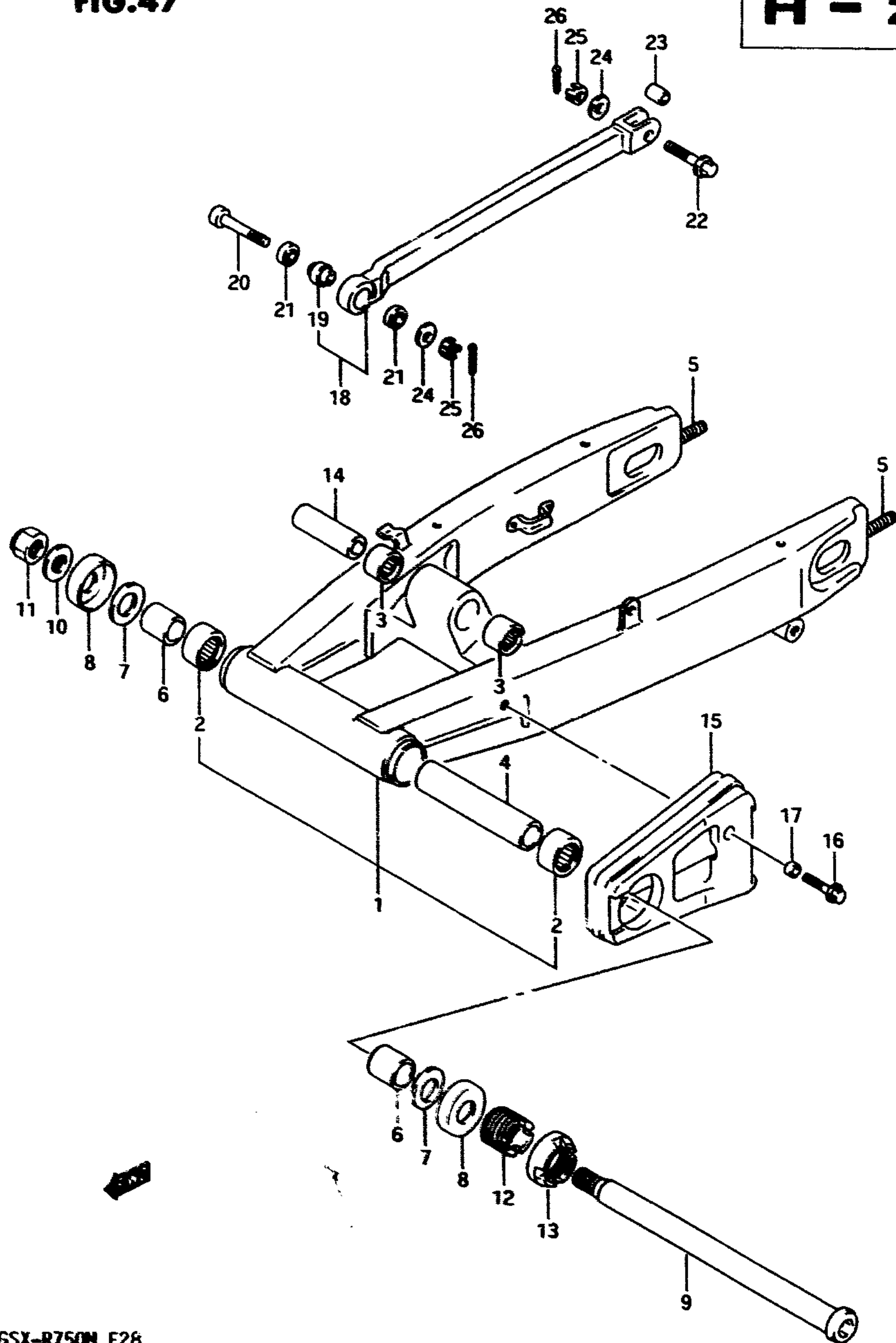
AIR CLEANER.....C-5	CONUING BODY.....H-8	ELECTRICAL.....E-6	FR MASTER CYL-G-12	MUFFLER.....E-8	RR MASTER CYL.....H-7	STARTING MOTOR..E-2
ALTERNATOR.....E-3	CONUING FIT SET-H-11	FOOTREST.....F-4	FR WHEEL.....G-7	OIL COOLER.....C-6	RR SWINGING ARM..H-2	STEERING DAMPER-G-5
BATTERY.....E-5	CRANKCASE.....B-5	FRAME.....F-2	FUEL COCK.....F-6	OIL PAN.....G-7	RR WHEEL.....H-5	STEERING STEN...G-4
CAM CHAIN.....B-14	CRANKCASE COVER-B-7	FRAME COVER...F-8	FUEL TANK.....F-5	OIL PUMP.....B-9	SEAT.....F-7	TAIL LAMP.....E-10
CAM SHAFT.....B-12	CRANKSHAFT.....B-10	FR BRAKE HOSE-G-11	GEAR SHIFTING-D-5	OPTIONAL.....H-13	SIGNAL GENERATOR-E-4	TRANSMISSION....D-3
CARBURETOR.....C-2	CYLINDER.....B-4	FR CALIPERS...G-10	HANDLE SWITCH-G-9	RR CALIPER.....H-6	SPEEDOMETER.....E-7	TURNSIGNAL LAMP-E-9
CARBURETOR FIT-C-4	CYLINDER HEAD...B-3	FR DAMPER.....G-2	HANDLEBAR.....G-8	RR CUSHION LEVER-H-3	STAND.....F-3	WIRING HARNESS..E-11
CLUTCH.....D-2	CYL HEAD COVER..B-2	FR FENDER.....G-6	HEADLAMP.....E-8	RR FENDER.....H-4	STARTER CLUTCH...B-11	

FIG.47

H - 2

54

FIG.47 (H- 2) REAR SWINGING ARM



REF.NO.	PART NO.	DESCRIPTION	Q'TY	REMARKS
1	61000-17000	SWINGING ARM ASSY, rear	1	
2	09263-25024	.BEARING, pivot	2	
3	09263-20071	.BEARING	2	
4	61282-17000	.SPACER, center	1	
5	61431-40000	.STUD BOLT, chain adjuster	2	
6	61251-17000	SPACER, bearing	2	
7-1	08211-20381	WASHER, thrust (T:1)	0-2	
7-2	08211-20382	WASHER, thrust (T:1.5)	0-2	
8	61262-17000	SEAL, dust	2	
9	61211-40000	SHAFT, pivot	1	
10	08322-11188	WASHER	1	
11	09159-18007	NUT	1	
12	61213-40030	BOLT, pivot	1	
13	61214-40030	NUT, pivot	1	
14	62317-17000	SPACER, lever	1	
15	61273-40000	BUFFER, chain touch defence	1	
16	09116-06111	BOLT	1	
17	09180-06002	SPACER	1	
18	64300-07810	TORQUELINK SET, rear	1	
19	64352-40411	.BEARING	1	
20	09106-08048	BOLT, front	1	
21	64339-40410	SEAL, dust	2	
22	09103-08160	BOLT, rear	1	
23	64336-20A00	SPACER	1	
24	08322-11088	WASHER	2	
25	08314-41088	NUT	2	
26	04111-20208	PIN, cotter	2	

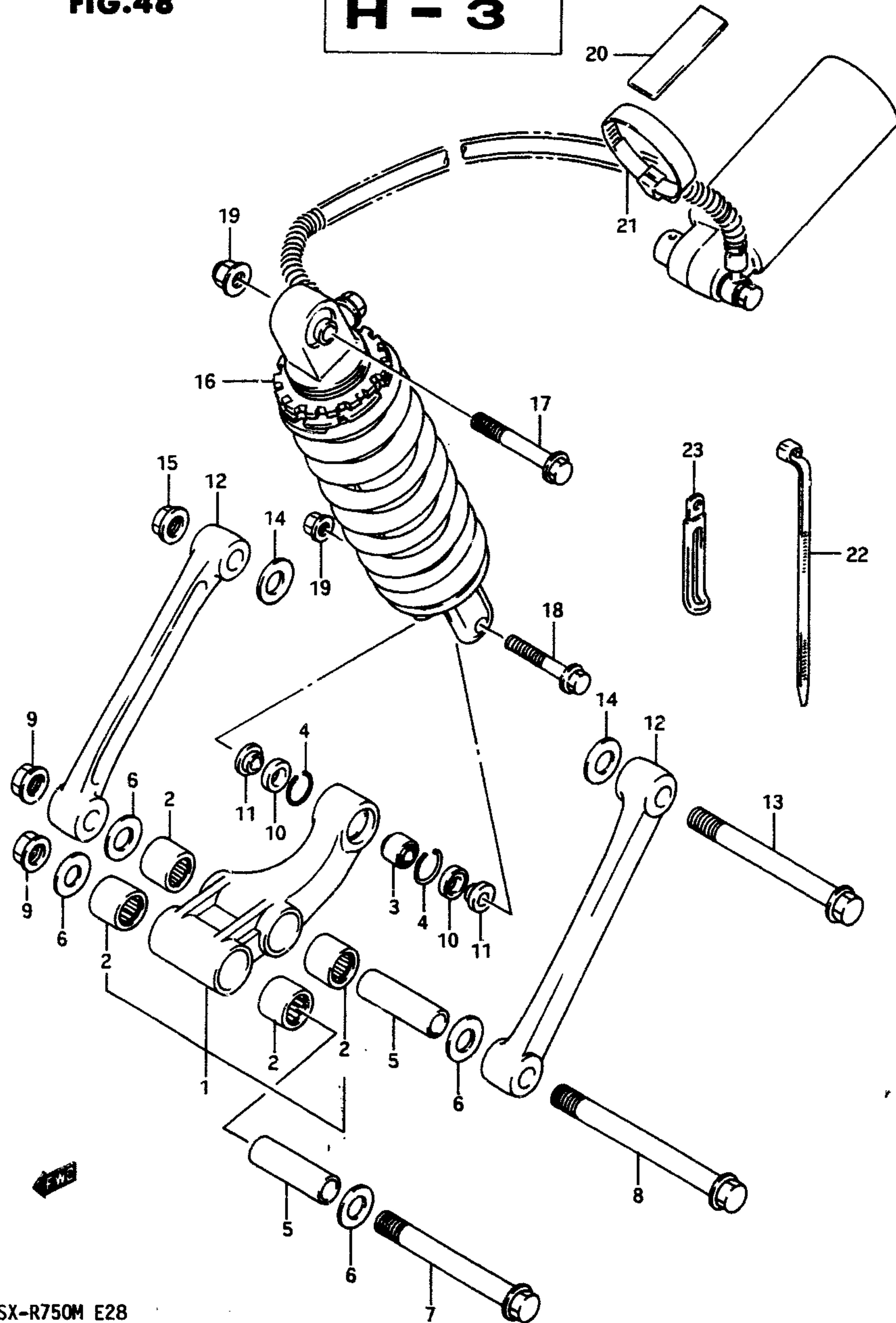
GSX-R750M E28

GSX-R750M E28

AIR CLEANER.....C-5	COWLING BODY.....B-8	ELECTRICAL.....E-6	FR MASTER CYL.....G-12	MUFFLER.....E-8	RR MASTER CYL.....H-7	STARTING MOTOR...E-2
ALTERNATOR.....E-3	COWLING FIT SET..F-11	FOOTREST.....F-4	FR WHEEL.....G-7	OIL COOLER.....C-6	RR SWINGING ARM..H-2	STEERING DAMPER..G-5
BATTERY.....E-5	CRANKCASE.....B-5	FRAME.....F-2	FUEL COCK.....F-6	OIL PAN.....C-7	RR WHEEL.....H-5	STEERING STEM...G-4
CAM CHAIN.....B-14	CRANKCASE COVER..B-7	FRAME COVER...F-8	FUEL TANK.....F-5	OIL PUMP.....B-9	SEAT.....F-7	TAIL LAMP.....E-10
CAM SHAFT.....B-12	CRANKSHAFT.....B-10	FR BRAKE HOSE..G-11	GEAR SHIFTING..D-5	OPTIONAL.....H-13	SIGNAL GENERATOR..E-4	TRANSMISSION....D-3
CARBURETOR.....C-2	CYLINDER.....B-4	FR CALIPERS...G-10	HANDLE SWITCH..G-9	RR CALIPER.....H-6	SPEEDOMETER.....E-7	URNSIGNAL LAMP..E-9
CARBURETOR FIT..C-4	CYLINDER HEAD...B-3	FR DAMPER.....G-2	HANDLEBAR.....G-8	RR CUSHION LEVER..H-3	STAND.....F-3	WIRING HARNESS..E-11
CLUTCH.....D-2	CYL HEAD COVER..B-2	FR FENDER.....G-6	HEADLAMP.....E-8	RR FENDER.....H-4	STARTER CLUTCH...B-11	

FIG.48

H - 3



GSX-R750M E28

FIG.48 (H- 3) REAR CUSHION LEVER

REF.NO.	PART NO.	DESCRIPTION	Q'TY	REMARKS
1	62600-17830	LEVER SET, rear cushion	1	
2	09263-20071	.BEARING	4	
3	62175-00800	.BEARING	1	
4	62657-34A01	.RING	2	
5	62317-17C00	SPACER	2	
6	08211-14323	WASHER, thrust	4	
7	62621-17C00	SHAFT, front	1	
8	62658-17C00	SHAFT, center	1	
9	08319-31148	NUT	2	
10	62683-43400	SEAL, dust rear	2	
11	62684-43401	SPACER	2	
12	62641-17C00	ROD, rear cushion	2	
13	62658-17C00	SHAFT, upper	1	
14	08211-14323	WASHER, thrust	2	
15	08319-31148	NUT	1	
16	62100-18000	ABSORBER ASSY, rear shock	1	
17	62311-08300	BOLT, upper	1	
18	09103-10101	BOLT, lower	1	
19	08319-31107	NUT	2	
20	62331-07D00	CUSHION, tank	1	
21	09402-57501	CLAMP, tank	2	
22	09407-18402	CLAMP, hose	1	
23	09404-06404	CLAMP, hose	1	

GSX-R750M E28

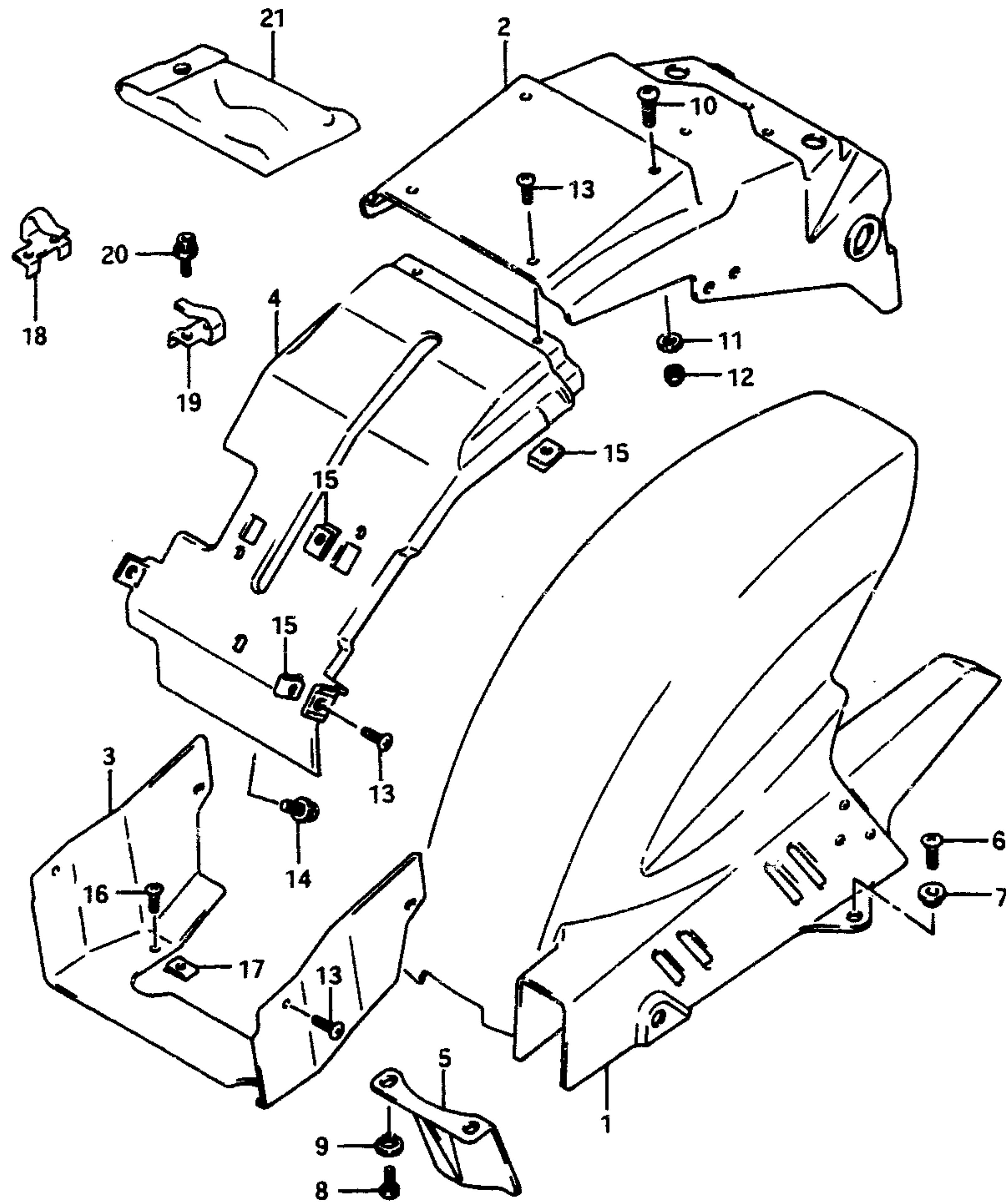
AIR CLEANER.....C-5	COWLING BODY.....H-8	ELECTRICAL.....E-6	FR MASTER CYL.G-12	MUFFLER.....E-8	RR MASTER CYL.....H-7	STARTING MOTOR..E-2
ALTERNATOR.....E-3	COWLING FIT SET..H-11	FOOTREST.....F-4	FR WHEEL.....G-7	OIL COOLER.....C-6	RR SWINGING ARM..H-2	STEERING DAMPER.G-5
BATTERY.....E-5	CRANKCASE.....B-5	FRAME.....F-2	FUEL COCK.....F-6	OIL PAN.....C-7	RR WHEEL.....H-5	STEERING STEM...G-4
CAM CHAIN.....B-14	CRANKCASE COVER..B-7	FRAME COVER...F-8	FUEL TANK.....F-5	OIL PUMP.....B-9	SEAT.....F-7	TAIL LAMP.....E-10
CAM SHAFT.....B-12	CRANKSHAFT.....B-10	FR BRAKE HOSE.G-11	GEAR SHIFTING..D-5	OPTIONAL.....H-13	SIGNAL GENERATOR.E-4	TRANSMISSION....D-3
CARBURETOR.....C-2	CYLINDER.....B-4	FR CALIPERS...G-10	HANDLE SWITCH.G-9	RR CALIPER.....H-6	SPEEDOMETER.....E-7	URNSIGNAL LAMP.E-9
CARBURETOR FIT.C-4	CYLINDER HEAD...B-3	FR DAMPER.....G-2	HANDLEBAR.....G-8	RR CUSHION LEVER.H-3	STAND.....F-3	WIRING HARNESS..E-11
CLUTCH.....D-2	CYL HEAD COVER..B-2	FR FENDER.....G-6	HEADLAMP.....E-8	RR FENDER.....H-4	STARTER CLUTCH...B-11	

FIG.49

H-4

56

FIG.49 (H- 4) REAR FENDER



REF.NO.	PART NO.	DESCRIPTION	Q'TY	REMARKS
1	63110-40C00	FENDER, rear lower	1	
2	63112-18D00	FENDER, rear upper	1	
3	63113-40C00	FENDER, rear upper front	1	
4	63114-17C00	FENDER, rear upper front	1	
5	63411-42A00	MUD GUARD, rear unit	1	
6	02142-06104	SCREW, lower	4	
7	09169-06060	WASHER	4	
8	02142-06167	SCREW, mud guard	2	
9	09169-06025	WASHER	2	
10	02142-06164	SCREW, upper	2	
11	09160-06006	WASHER	2	
12	08319-21066	NUT	2	
13	02142-05124	SCREW, upper front	6	
14	01517-06105	BOLT	1	
15	94484-32B00	NUT	6	
16	02142-05124	SCREW, electric	1	
17	94484-32B00	NUT	1	
18	95721-18D00	HOLDER, helmet RH	1	
19	95731-18D00	HOLDER, helmet LH	1	
20	07120-06125	BOLT	2	
21	09800-20036	TOOL ASSY	1	

GSX-R750M E28

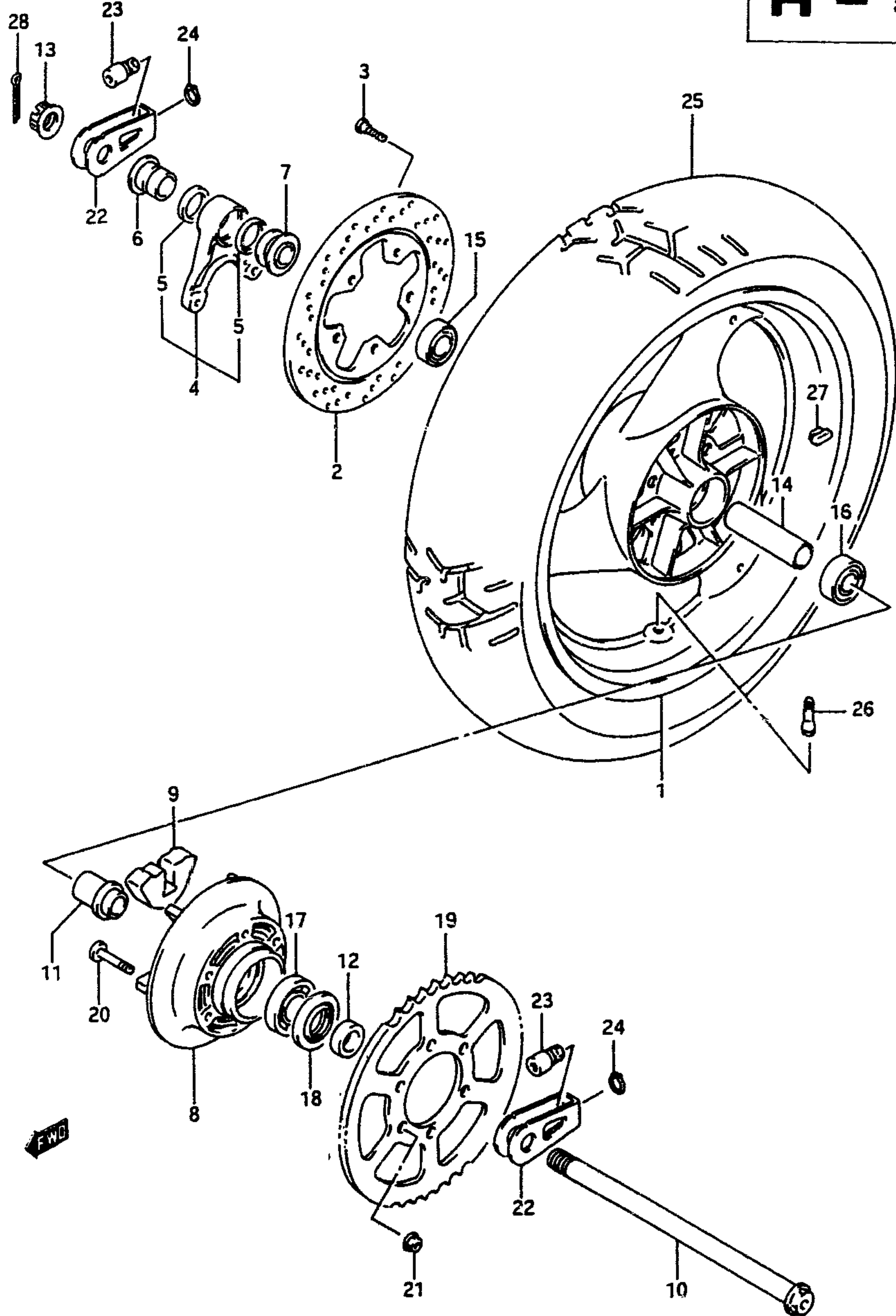
GSX-R750M E28

AIR CLEANER...C-5	COWLING BODY...H-8	ELECTRICAL...E-6	FR MASTER CYL...G-12	MUFFLER...E-8	RR MASTER CYL...H-7	STARTING MOTOR...E-2
ALTERNATOR...E-3	COWLING FIT SET...H-11	FOOTREST...F-4	FR WHEEL...G-7	OIL COOLER...C-6	RR SWINGING ARM...H-2	STEERING DAMPER...G-5
BATTERY...E-5	CRANKCASE...B-5	FRAME...F-2	FUEL COCK...F-6	OIL PAN...C-7	RR WHEEL...H-5	STEERING STEM...G-4
CAM CHAIN...B-14	CRANKCASE COVER...B-7	FRAME COVER...F-8	FUEL TANK...F-5	OIL PUMP...B-9	SEAT...F-7	TAIL LAMP...E-10
CAM SHAFT...B-12	CRANKSHAFT...B-10	FR BRAKE HOSE...G-11	GEAR SHIFTING...D-5	OPTIONAL...H-13	SIGNAL GENERATOR...E-4	TRANSMISSION...D-3
CARBURETOR...C-2	CYLINDER...B-4	FR CALIPERS...G-10	HANDLE SWITCH...G-9	RR CALIPER...H-6	SPEEDOMETER...E-7	TURN SIGNAL LAMP...E-9
CARBURETOR FIT...C-4	CYLINDER HEAD...B-3	FR DAMPER...G-2	HANDLEBAR...G-8	RR CUSHION LEVER...H-3	STAND...F-3	WIRING HARNESS...E-11
CLUTCH...D-2	CYL HEAD COVER...B-2	FR FENDER...G-6	HEADLAMP...E-8	RR FENDER...H-4	STARTER CLUTCH...B-11	

FIG.50

H-5

FIG.50 (H-5) REAR WHEEL



REF.NO.	PART NO.	DESCRIPTION	Q'TY	REMARKS
1-1	64111-07D00-28W	WHEEL, rear (17xMT5.50) White	1	for 3SL,3RZ
1-2	64111-07D00-1DR	WHEEL, rear (17xMT5.50) Purple	1	for 05X
2	69211-17C00	DISC, rear brake	1	
3	09106-08062	BOLT	5	
4	69720-17C00	BRACKET, rear calipers	1	
5	09285-28002	.OIL SEAL	2	
6	69412-27A00	SPACER	1	
7	64740-48B00	SPACER, RH	1	
8	64611-40C00	DRUM, sprocket	1	
9	64651-31001	SHOCK ABSORBER, drum	6	
10	64711-40C10	AXLE, rear	1	
11	64733-48B00	RETAINER, drum	1	
12	64751-40C00	SPACER, LH	1	
13	09141-20004	NUT	1	
14	64731-40C00	SPACER, bearing	1	
15	09262-20114	BEARING, RH	1	
16	09262-20042	BEARING, LH	1	
17	09262-25073	BEARING, drum	1	
18	09285-35001	OIL SEAL	1	
19	64511-07D10	SPROCKET, rear (NT:43)	1	
20	09119-10060	BOLT	6	
21	08319-31107	NUT	6	
22	61411-40C00	ADJUSTER, chain	2	
23	61415-40C00	NUT, adjuster	2	
24	08331-31138	CIRCLIP	2	
25	65110-18D00	TIRE, rear (170/60 ZR17) (DUNLOP)	1	
26	43130-24A00	VALVE	1	
27-1	55411-00A00	BALANCER (10g)	0-3	
27-2	55412-00A00	BALANCER (20g)	0-3	
27-3	55413-00A00	BALANCER (30g)	0-3	
28	04111-40408	PIN, cotter	1	

GSX-R750M E28

GSX-R750M E28

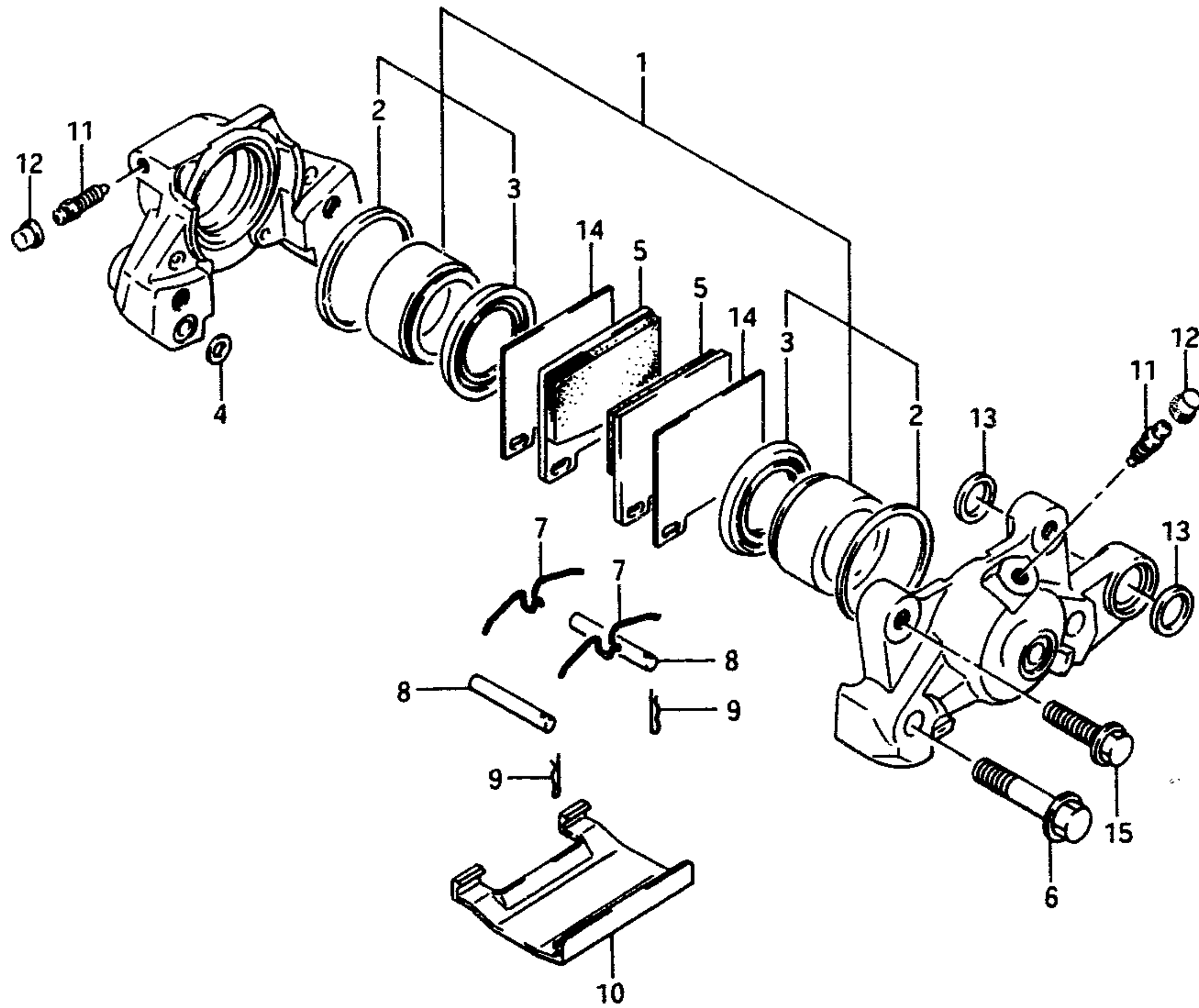
AIR CLEANER.....C-5	COWLING BODY.....H-8	ELECTRICAL.....E-6	FR MASTER CYL.....G-12	MUFFLER.....E-8	RR MASTER CYL.....H-7	STARTING MOTOR...E-2
ALTERNATOR.....E-3	COWLING FIT SET..H-11	FOOTREST.....F-4	FR WHEEL.....G-7	OIL COOLER.....C-6	RR SWINGING ARM..H-2	STEERING DAMPER..G-5
BATTERY.....E-5	CRANKCASE.....B-5	FRAME.....F-2	FUEL COCK.....F-6	OIL PAN.....C-7	RR WHEEL.....H-5	STEERING STEM...G-4
CAM CHAIN.....B-14	CRANKCASE COVER..B-7	FRAME COVER...F-8	FUEL TANK.....F-5	OIL PUMP.....B-9	SEAT.....F-7	TAIL LAMP.....E-10
CAM SHAFT.....B-12	CRANKSHAFT.....B-10	FR BRAKE HOSE..G-11	GEAR SHIFTING..D-5	OPTIONAL.....H-13	SIGNAL GENERATOR..E-4	TRANSMISSION....D-3
CARBURETOR.....C-2	CYLINDER.....B-4	FR CALIPERS...G-10	HANDLE SWITCH..G-9	RR CALIPER.....H-6	SPEEDOMETER.....E-7	TURNSIGNAL LAMP..E-9
CARBURETOR FIT..C-4	CYLINDER HEAD...B-3	FR DAMPER.....G-2	HANDLEBAR.....G-8	RR CUSHION LEVER..H-3	STAND.....F-3	WIRING HARNESS..E-11
CLUTCH.....D-2	CYL HEAD COVER..B-2	FR FENDER.....G-6	HEADLAMP.....E-8	RR FENDER.....H-4	STARTER CLUTCH...B-11	

FIG.51

H - 6

58

FIG.51 (H- 6) REAR CALIPER



REF.NO.	PART NO.	DESCRIPTION	Q'TY	REMARKS
	69100-17C00	CALIPER ASSY, rear	1	
1	69100-17830	.PISTON SET	1	
2	59107-18410	..SEAL	2	
3	59108-16700	..BOOT	2	
4	69107-34200	..SEAL	1	
5	69130-06800	.PAD	2	
6	59145-17C00	.BOLT	2	
7	59143-16700	.SPRING	2	
8	69141-45000	.PIN	2	
9	69142-45000	.CLIP	2	
10	59151-16701	.COVER	1	
11	59121-18410	.BLEEDER	2	
12	59122-18410	.CAP	2	
13	62647-04A00	.DUST SEAL	2	
14	59371-33410	.SHIM	2	
15	01517-08304	BOLT	2	

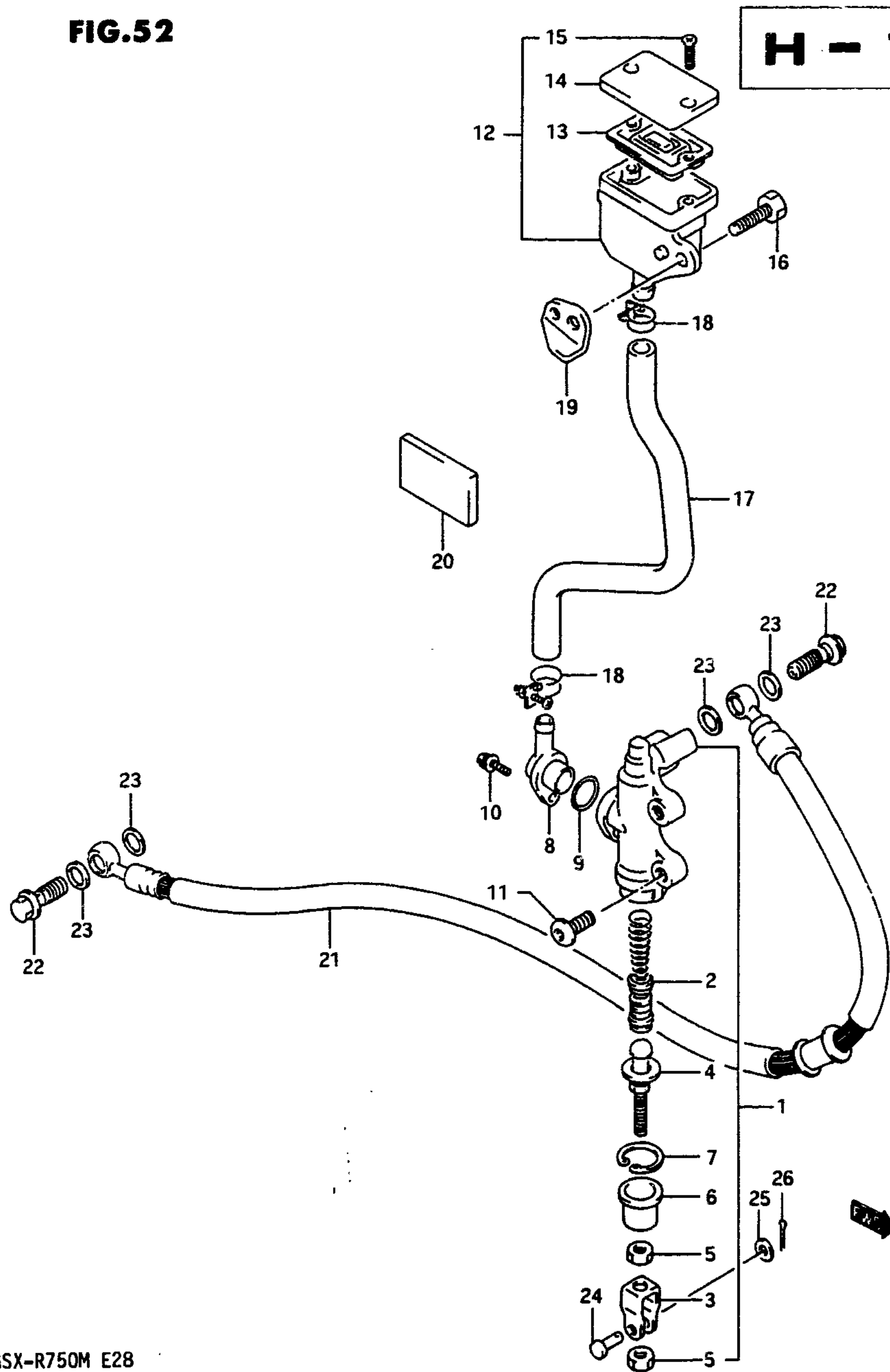
GSX-R750M E28

GSX-R750M E28

AIR CLEANER.....C-5	COWLING BODY.....H-8	ELECTRICAL.....E-6	FR MASTER CYL.G-12	MUFFLER.....E-8	RR MASTER CYL....H-7	STARTING MOTOR..E-2
ALTERNATOR.....E-3	COWLING FIT SET.H-11	FOOTREST.....F-4	FR WHEEL.....G-7	OIL COOLER.....C-6	RR SWINGING ARM..H-2	STEERING DAMPER.G-5
BATTERY.....E-5	CRANKCASE.....B-5	FRAME.....F-2	FUEL COCK.....F-6	OIL PAN.....C-7	RR WHEEL.....H-5	STEERING STEM...G-4
CAM CHAIN.....B-14	CRANKCASE COVER.B-7	FRAME COVER...F-8	FUEL TANK.....F-5	OIL PUMP.....B-9	SEAT.....F-7	TAIL LAMP.....E-10
CAM SHAFT.....B-12	CRANKSHAFT.....B-10	FR BRAKE HOSE.G-11	GEAR SHIFTING.D-5	OPTIONAL.....H-13	SIGNAL GENERATOR.E-4	TRANSMISSION....D-3
CARBURETOR.....C-2	CYLINDER.....B-4	FR CALIPERS...G-10	HANDLE SWITCH.G-9	RR CALIPER.....H-6	SPEEDOMETER.....E-7	URNSIGNAL LAMP.E-9
CARBURETOR FIT.C-4	CYLINDER HEAD..B-3	FR DAMPER.....G-2	HANDLEBAR.....G-8	RR CUSHION LEVER.H-3	STAND.....F-3	WIRING HARNESS..E-11
CLUTCH.....D-2	CYL HEAD COVER..B-2	FR FENDER.....G-6	HEADLAMP.....E-8	RR FENDER.....H-4	STARTER CLUTCH..B-11	

FIG.52

H - 7



59

FIG.52 (H- 7) REAR MASTER CYLINDER

REF.NO.	PART NO.	DESCRIPTION	Q'TY	REMARKS
1	69600-17C01	CYLINDER ASSY, rear master (White)	1	
2	69600-16820	.PISTON / CAP SET	1	
3	69692-27A30	.YOKE	1	
4	69670-48B00	.ROD, push	1	
5	69693-05A00	.NUT	2	
6	69691-00A00	.BOOT	1	
7	51162-70040	.CIRCLIP	1	
8	69672-05A00	.CONNECTOR	1	
9	69686-34200	.O RING	1	
10	02112-74125	.SCREW	1	
11	09139-08009	BOLT (8x22)	2	
12	69740-38B20	TANK ASSY, rear reservoir	1	
13	59667-04700	.DIAPHRAGM	1	
14	69669-24A01	.CAP	1	
15	69689-04A00	.SCREW	2	
16	01107-06257	BOLT	1	
17	69731-17D00	HOSE, reservoir	1	
18	09400-16302	CLAMP	2	
19	69751-17C00	BRACKET, tank rear	1	
20	69732-17C01	CUSHION, hose side	1	
21	69480-17D10	HOSE, rear brake	1	
22	09360-10017	BOLT	2	
23	09161-10009	WASHER (10x15x1.5)	4	
24	09200-06037	PIN	1	
25	08322-21067	WASHER	1	
26	04111-20158	PIN, cotter	1	

GSX-R750M E28

GSX-R750M E28

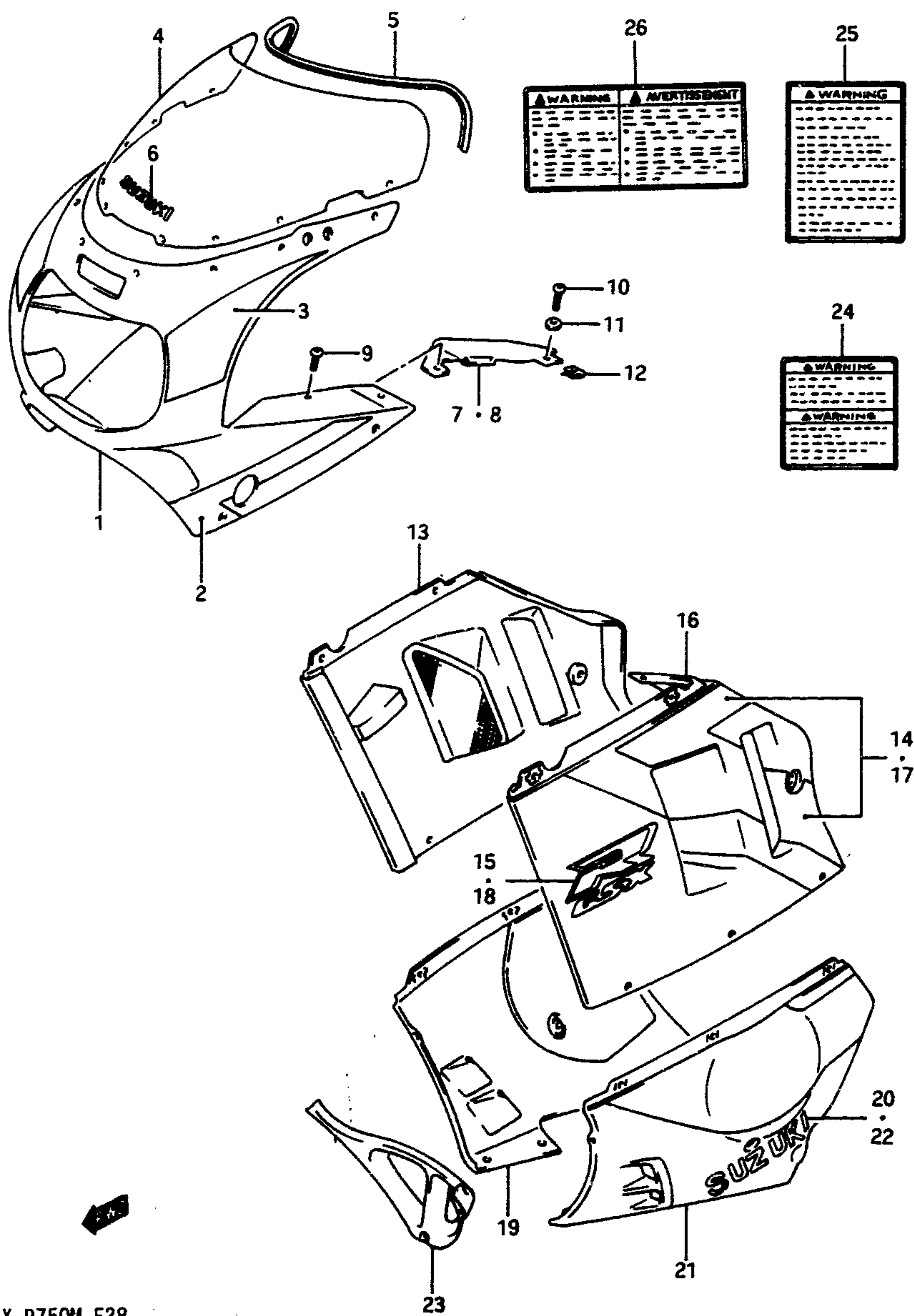
AIR CLEANER.....C-5	COWLING BODY.....H-8	ELECTRICAL.....E-6	FR MASTER CYL.....G-12	MUFFLER.....E-8	RR MASTER CYL.....H-7	STARTING MOTOR...E-2
ALTERNATOR.....E-3	COWLING FIT SET..H-11	FOOTREST.....F-4	FR WHEEL.....G-7	OIL COOLER.....C-6	RR SWINGING ARM..H-2	STEERING DAMPER..G-5
BATTERY.....E-5	CRANKCASE.....B-5	FRAME.....F-2	FUEL COCK.....F-6	OIL PAN.....C-7	RR WHEEL.....H-5	STEERING STEM...G-4
CAM CHAIN.....B-14	CRANKCASE COVER..B-7	FRAME COVER...F-8	FUEL TANK.....F-5	OIL PUMP.....B-9	SEAT.....F-7	TAIL LAMP.....E-10
CAM SHAFT.....B-12	CRANKSHAFT.....B-10	FR BRAKE HOSE..G-11	GEAR SHIFTING..D-5	OPTIONAL.....H-13	SIGNAL GENERATOR..E-4	TRANSMISSION....D-3
CARBURETOR.....C-2	CYLINDER.....B-4	FR CALIPERS...G-10	HANDLE SWITCH..G-9	RR CALIPER.....H-6	SPEEDOMETER.....E-7	TURNSIGNAL LAMP..E-9
CARBURETOR FIT..C-4	CYLINDER HEAD...B-3	FR DAMPER.....G-2	HANDLEBAR.....G-8	RR CUSHION LEVER..H-3	STAND.....F-3	WIRING HARNESS..E-11
CLUTCH.....D-2	CYL HEAD COVER..B-2	FR FENDER.....G-6	HEADLAMP.....E-8	RR FENDER.....H-4	STARTER CLUTCH...B-11	

FIG.53

H-8

60

FIG.53 (H- 8) COWLING BODY (3SL/3RZ)



Q'TY

REMARKS

REF.NO.	PART NO.	DESCRIPTION	Q'TY	REMARKS
1-1	94400-18D00-3SH	BODY ASSY, cowling (White/Blue)	1	for 3SL
1-2	94400-18D00-3SP	BODY ASSY, cowling (White/Black)	1	for 3RZ
2-1	68270-18D00-0NG	.TAPE SET, side	1	for 3SH
2-2	68270-18D00-28V	.TAPE SET, side	1	for 3SP
3-1	68280-18D00-0NG	.TAPE SET, front	1	for 3SH
3-2	68280-18D00-28V	.TAPE SET, front	1	for 3SP
4	94610-18D00	SCREEN SET, wind	1	
5	94631-18D00	.MOLDING	1	
6	68182-12C00-0JW	.EMBLEM	1	
7	94432-18D00	PANEL, cowling upper RH	1	
8	94442-18D00	PANEL, cowling upper LH	1	
9	09139-05033	SCREW (5x10)	2	
10	09139-05025	SCREW (5x14)	2	
11	09161-05010	WASHER	2	
12	09148-05023	NUT	2	
13-1	94430-18D00-3SL	COVER, cowling side RH (White/Blue)	1	
13-2	94430-18D00-3RZ	COVER, cowling side RH (White/Red)	1	
14-1	68680-18D00-0NE	.TAPE SET, side RH	1	for 3SL
14-2	68680-18D00-019	.TAPE SET, side RH	1	for 3RZ
15-1	68681-33C10-3ZK	.EMBLEM, side	1	for 3SL
15-2	68681-33C10-3ZL	.EMBLEM, side	1	for 3RZ
16-1	94440-18D00-3SL	COVER, cowling side LH (White/Blue)	1	
16-2	94440-18D00-3RZ	COVER, cowling side LH (White/Red)	1	
17-1	68690-18D00-0NE	.TAPE SET, side LH	1	for 3SL
17-2	68690-18D00-019	.TAPE SET, side LH	1	for 3RZ
18-1	68681-33C10-3ZK	.EMBLEM, side	1	for 3SL
18-2	68681-33C10-3ZL	.EMBLEM, side	1	for 3RZ

Refer to FIG.54 (H-10) for 05X
Refer to FIG.55 (H-11) for COWLING FITTINT SET

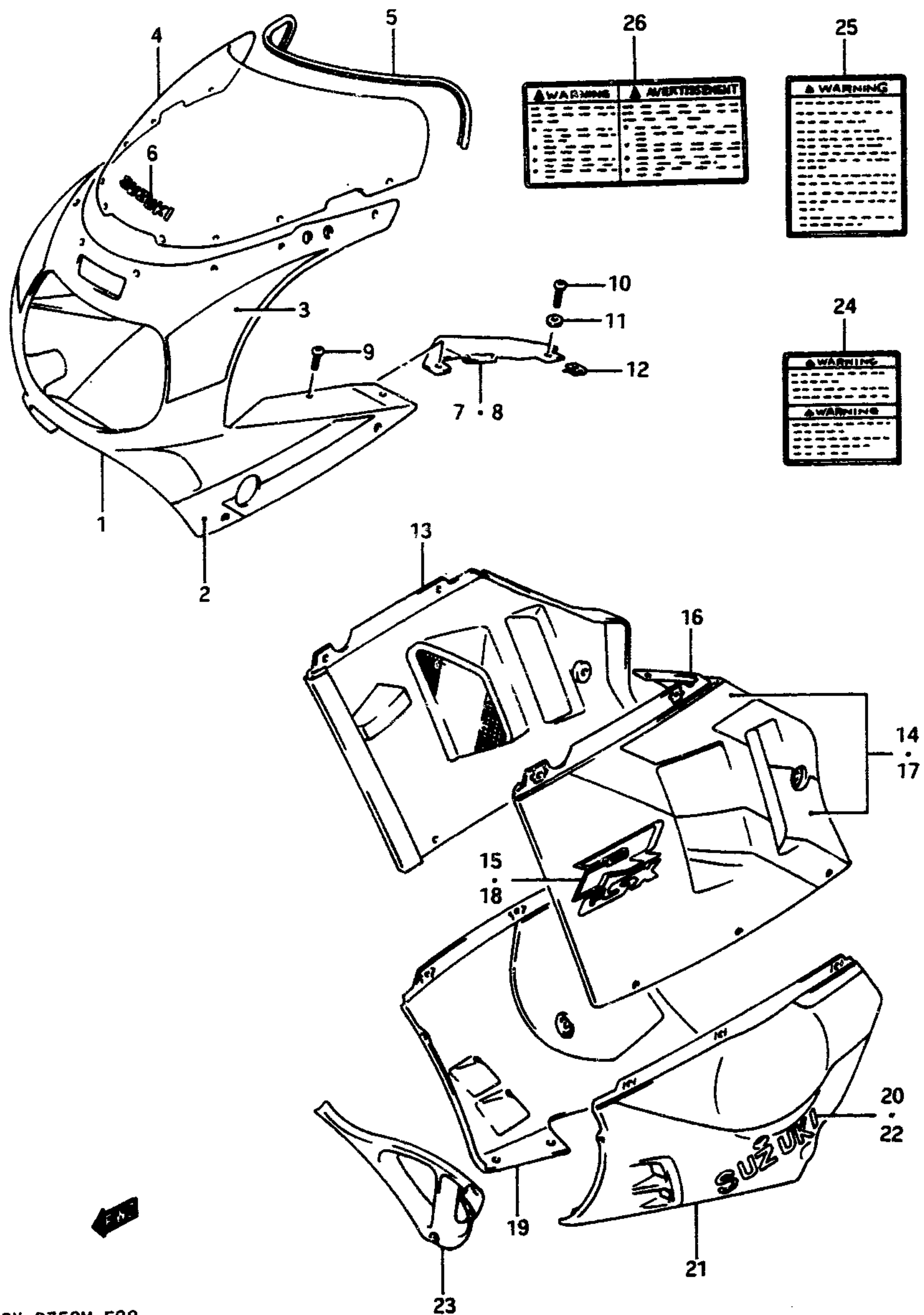
GSX-R750M E28

GSX-R750M E28

AIR CLEANER.....C-5	COWLING BODY.....H-8	ELECTRICAL.....E-6	FR MASTER CYL.....G-12	MUFFLER.....E-8	RR MASTER CYL.....H-7	STARTING MOTOR..E-2
ALTERNATOR.....E-3	COWLING FIT SET..H-11	FOOTREST.....F-4	FR WHEEL.....G-7	OIL COOLER.....C-6	RR SWINGING ARM..H-2	STEERING DAMPER..G-5
BATTERY.....E-5	CRANKCASE.....B-5	FRAME.....F-2	FUEL COCK.....F-6	OIL PAN.....C-7	RR WHEEL.....H-5	STEERING STEM...G-4
CAM CHAIN.....B-14	CRANKCASE COVER..B-7	FRAME COVER...F-8	FUEL TANK.....F-5	OIL PUMP.....B-9	SEAT.....F-7	TAIL LAMP.....E-10
CAM SHAFT.....B-12	CRANKSHAFT.....B-10	FR BRAKE HOSE..G-11	GEAR SHIFTING..D-5	OPTIONAL.....H-13	SIGNAL GENERATOR..E-4	TRANSMISSION....D-3
CARBURETOR.....C-2	CYLINDER.....B-4	FR CALIPERS...G-10	HANDLE SWITCH..G-9	RR CALIPER.....H-6	SPEEDOMETER.....E-7	TURNSIGNAL LAMP..E-9
CARBURETOR FIT..C-4	CYLINDER HEAD...B-3	FR DAMPER.....G-2	HANDLEBAR.....G-8	RR CUSHION LEVER..H-3	STAND.....F-3	WIRING HARNESS..E-11
CLUTCH.....D-2	CYL HEAD COVER..B-2	FR FENDER.....G-6	HEADLAMP.....E-8	RR FENDER.....H-4	STARTER CLUTCH...B-11	

FIG.53

H - 9



61

FIG.53 (H- 9) COWLING BODY (3SL/3RZ)

REF.NO.	PART NO.	DESCRIPTION	Q'TY	REMARKS
19-1	94470-18D10-3SL	COWLING, under RH (White/Blue)	1	
19-2	94470-18D10-3RZ	COWLING, under RH (White/Red)	1	
20-1	68111-34320-ONE	.EMBLEM, SUZUKI	1	for 3SL
20-2	68111-34320-019	.EMBLEM, SUZUKI	1	for 3RZ
21-1	94480-18D10-3SL	COWLING, under LH (White/Blue)	1	
21-2	94480-18D10-3RZ	COWLING, under LH (White/Red)	1	
22-1	68181-36A00-ONE	.EMBLEM, SUZUKI	1	for 3SL
22-2	68181-36A00-019	.EMBLEM, SUZUKI	1	for 3RZ
23	94498-17D01-0JW	COWLING, under center (White)	1	for 3SL,3RZ
24	68613-40C00	LABEL, warning steering	1	
25-1	68612-48B00	LABEL, warning screen	1	
25-2	68612-48B10	LABEL, warning screen (French)	1	
26	68319-40C10	LABEL, warning safety	1	

Refer to FIG.54 (H-10) for 05X
Refer to FIG.55 (H-11) for COWLING FITTINT SET

GSX-R750M E28

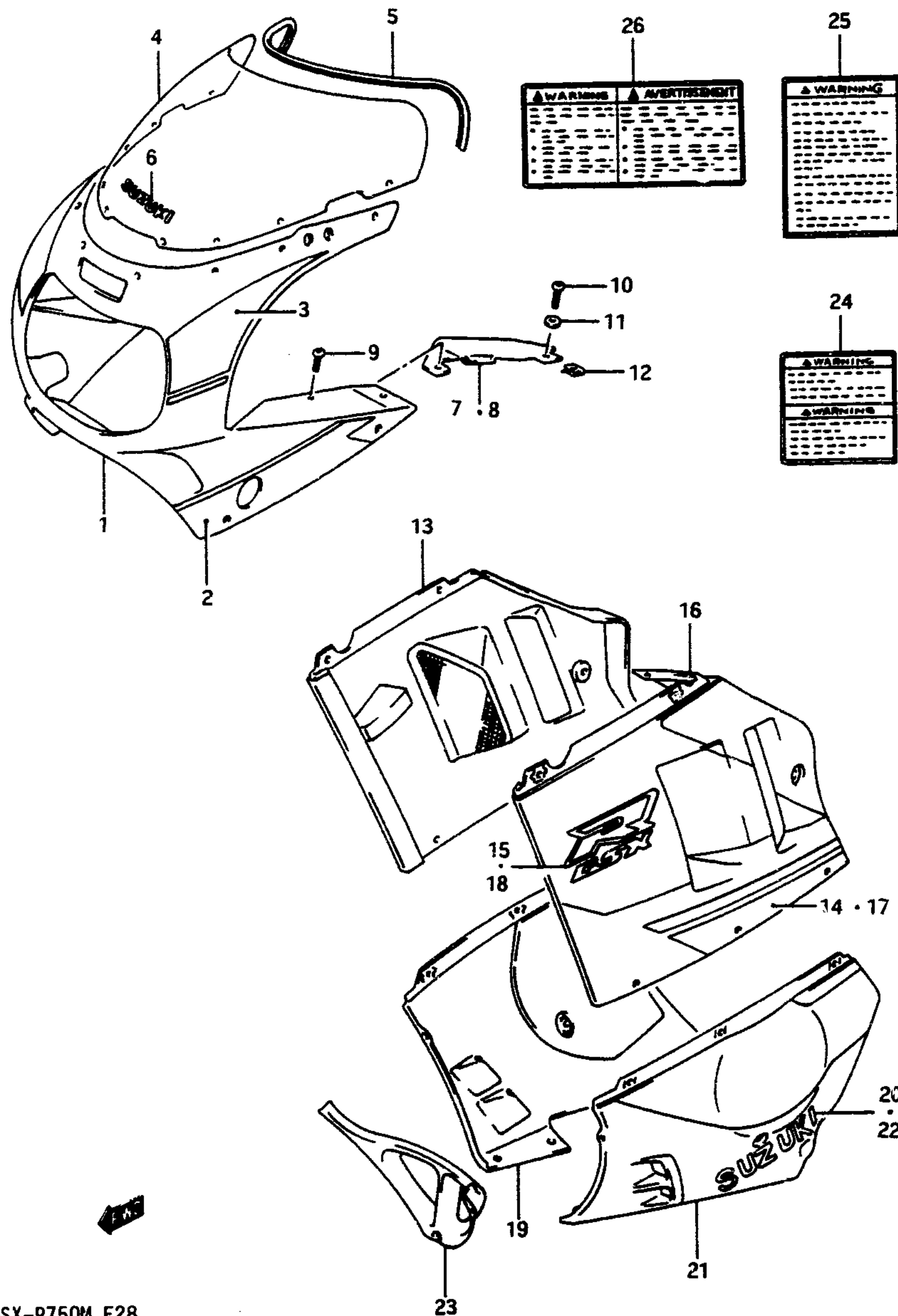
GSX-R750M E28

AIR CLEANER.....C-5	COWLING BODY.....H-8	ELECTRICAL.....E-6	FR MASTER CYL.....G-12	MUFFLER.....E-8	RR MASTER CYL.....H-7	STARTING MOTOR.....E-2
ALTERNATOR.....E-3	COWLING FIT SET.....H-11	FOOTREST.....F-4	FR WHEEL.....G-7	OIL COOLER.....C-6	RR SWINGING ARM.....H-2	STEERING DAMPER.....G-5
BATTERY.....E-5	CRANKCASE.....B-5	FRAME.....F-2	FUEL COCK.....F-6	OIL PAN.....C-7	RR WHEEL.....H-5	STEERING STEM.....G-4
CAM CHAIN.....B-14	CRANKCASE COVER.....B-7	FRAME COVER.....F-8	FUEL TANK.....F-5	OIL PUMP.....B-9	SEAT.....F-7	TAIL LAMP.....E-10
CAM SHAFT.....B-12	CRANKSHAFT.....B-10	FR BRAKE HOSE.....G-11	GEAR SHIFTING.....D-5	OPTIONAL.....H-13	SIGNAL GENERATOR.....E-4	TRANSMISSION.....D-3
CARBURETOR.....C-2	CYLINDER.....B-4	FR CALIPERS.....G-10	HANDLE SWITCH.....G-9	RR CALIPER.....H-6	SPEEDOMETER.....E-7	URNSIGNAL LAMP.....E-9
CARBURETOR FIT.....C-4	CYLINDER HEAD.....B-3	FR DAMPER.....G-2	HANDLEBAR.....G-8	RR CUSHION LEVER.....H-3	STAND.....F-3	WIRING HARNESS.....E-11
CLUTCH.....D-2	CYL HEAD COVER.....B-2	FR FENDER.....G-6	HEADLAMP.....E-8	RR FENDER.....H-4	STARTER CLUTCH.....B-11	

FIG.54

H - 10

FIG.54 (H-10) COWLING BODY (05X)



REF.NO.	PART NO.	DESCRIPTION	Q'TY	REMARKS
1	94400-18D10-36X	BODY ASSY, cowling (Black)	1	
2	68270-18D10-H16	.TAPE SET, side	1	
3	68280-18D10-H16	.TAPE SET, front	1	
4	94610-18D00	SCREEN SET, wind	1	
5	94631-18D00	.MOLDING	1	
6	68182-12C00-0JW	.EMBLEM	1	
7	94432-18D00	PANEL, cowling upper RH	1	
8	94442-18D00	PANEL, cowling upper LH	1	
9	09139-05033	SCREW (5x10)	2	
10	09139-05025	SCREW (5x14)	2	
11	09161-05010	WASHER	2	
12	09148-05023	NUT	2	
13	94430-18D30-05X	COVER, cowling side RH (Black/Gray)	1	
14	68685-18D00-H21	.TAPE, side RH	1	
15	68681-18D10-H61	.EMBLEM, side	1	
16	94440-18D30-05X	COVER, cowling side LH (Black/Gray)	1	
17	68695-18D00-H21	.TAPE, side LH	1	
18	68681-18D10-H61	.EMBLEM, side	1	
19	94470-18D10-3CH	COWLING, under RH (Black/Silver)	1	
20	68111-34320-13L	.EMBLEM, SUZUKI	1	
21	94480-18D10-3CH	COWLING, under LH (Black/Silver)	1	
22	68181-36A00-13L	.EMBLEM, SUZUKI	1	
23	94498-17D01-33J	COWLING, under center (Black)	1	
24	68613-40C00	LABEL, warning steering	1	
25-1	68612-48B00	LABEL, warning screen	1	
25-2	68612-48B10	LABEL, warning screen (French)	1	
26	68319-40C10	LABEL, warning safety	1	

Refer to FIG.55 (H-11) for COWLING FITTING SET

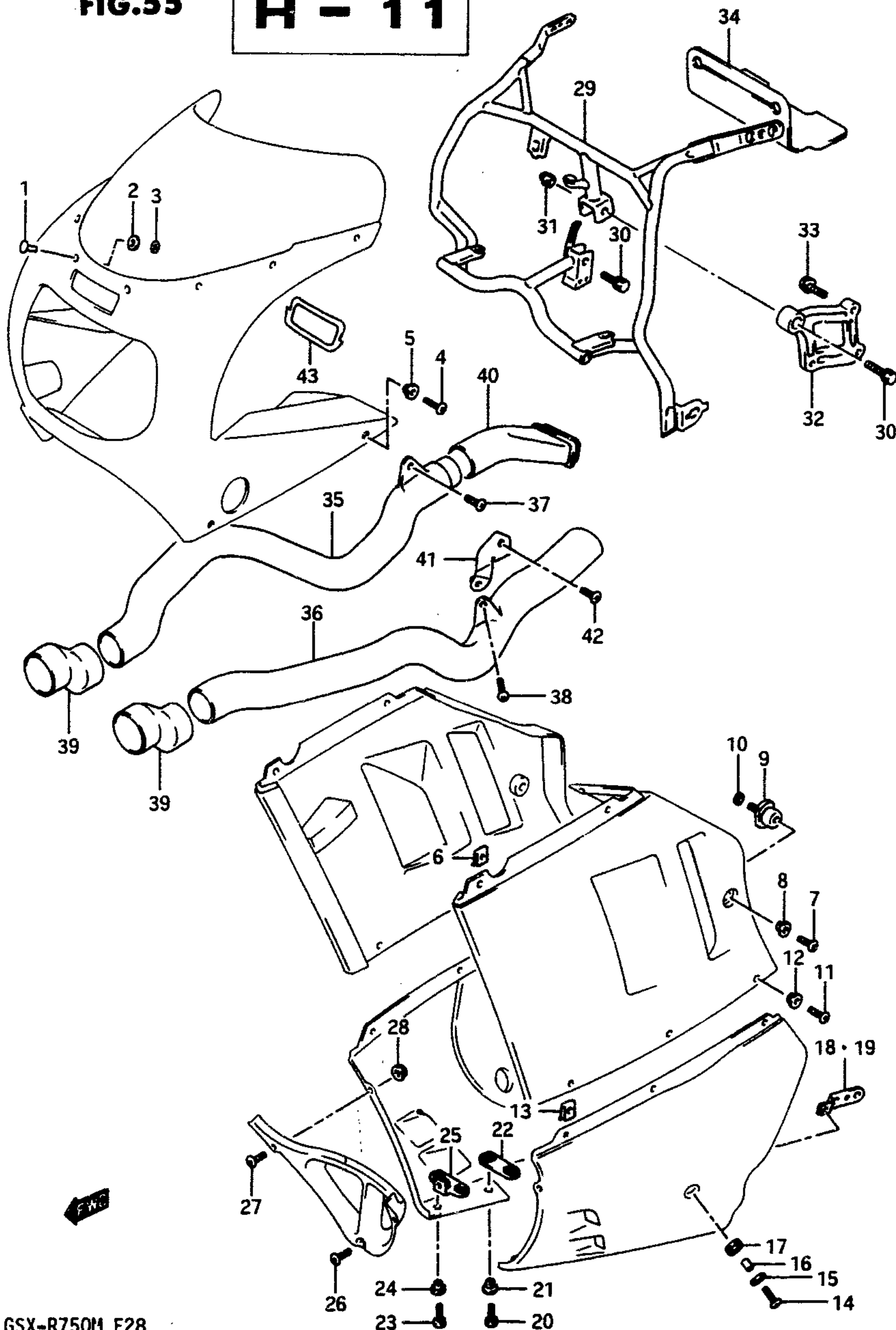
GSX-R750M E28

GSX-R750M E28

AIR CLEANER...C-5	COWLING BODY...H-8	ELECTRICAL...E-6	FR MASTER CYL...G-12	MUFFLER...E-8	RR MASTER CYL...H-7	STARTING MOTOR...E-2
ALTERNATOR...E-3	COWLING FIT SET...H-11	FOOTREST...F-4	FR WHEEL...G-7	OIL COOLER...C-6	RR SWINGING ARM...H-2	STEERING DAMPER...G-5
BATTERY...E-5	CRANKCASE...B-5	FRAME...F-2	FUEL COCK...F-6	OIL PAN...C-7	RR WHEEL...H-5	STEERING STEM...G-4
CAM CHAIN...B-14	CRANKCASE COVER...B-7	FRAME COVER...F-8	FUEL TANK...F-5	OIL PUMP...B-9	SEAT...F-7	TAIL LAMP...E-10
CAM SHAFT...B-12	CRANKSHAFT...B-10	FR BRAKE HOSE...G-11	GEAR SHIFTING...D-5	OPTIONAL...H-13	SIGNAL GENERATOR...E-4	TRANSMISSION...D-3
CARBURETOR...C-2	CYLINDER...B-4	FR CALIPERS...G-10	HANDLE SWITCH...G-9	RR CALIPER...H-6	SPEEDOMETER...E-7	TURN SIGNAL LAMP...E-9
CARBURETOR FIT...C-4	CYLINDER HEAD...B-3	FR DAMPER...G-2	HANDLEBAR...G-8	RR CUSHION LEVER...H-3	STAND...F-3	WIRING HARNESS...E-11
CLUTCH...D-2	CYL HEAD COVER...B-2	FR FENDER...G-6	HEADLAMP...E-8	RR FENDER...H-4	STARTER CLUTCH...B-11	

FIG.55

H - 11



GSX-R750M E28

FIG.55 (H-11) COWLING FITTING SET

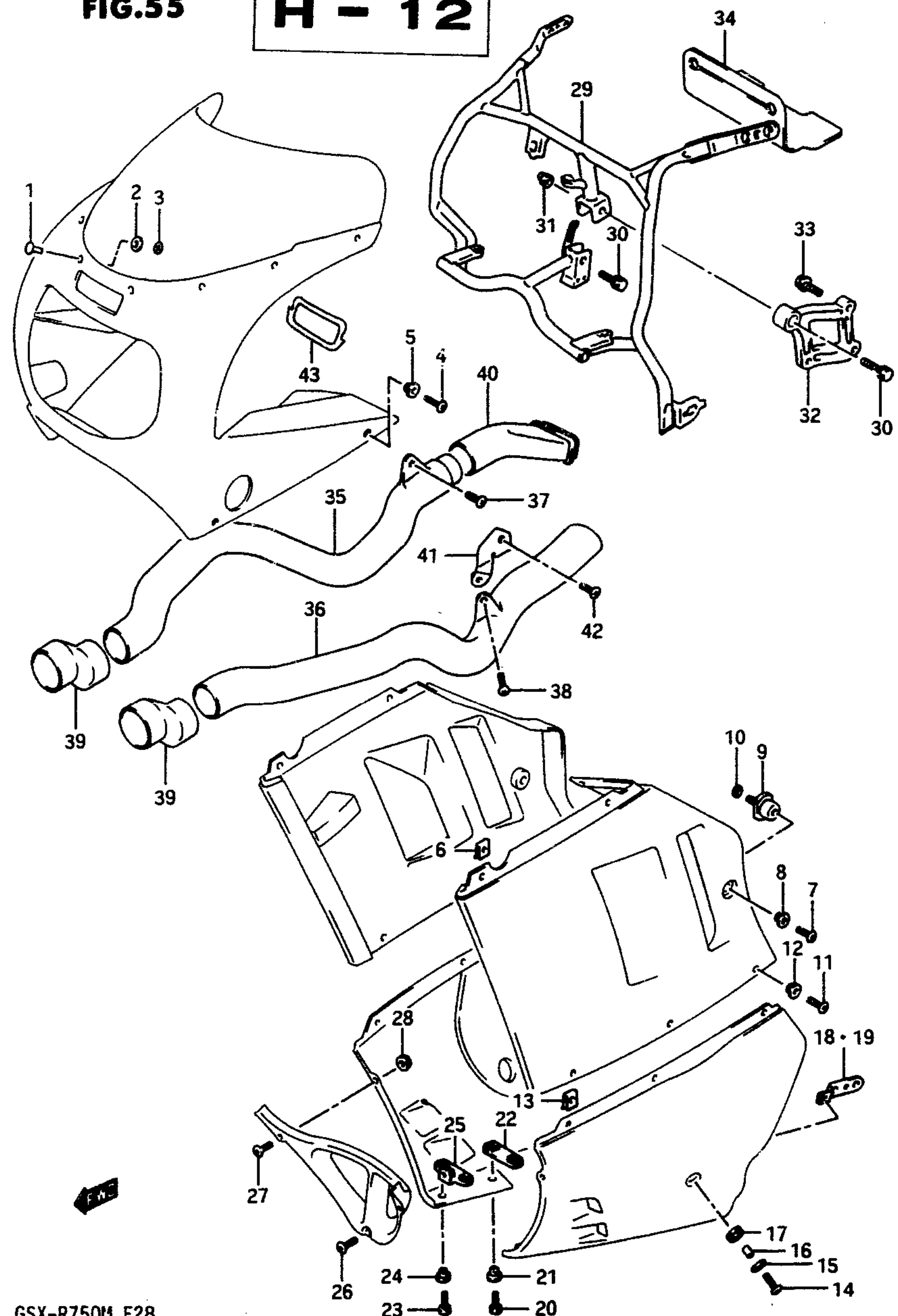
REF.NO.	PART NO.	DESCRIPTION	Q'TY	REMARKS
1	94616-22000	PIN, wind screen (4x11)	8	
2	09320-04007	CUSHION	8	
3	09148-04032	NUT	8	
4	09139-05032	SCREW, side cover upper (5x18)	6	
5	09161-05017	WASHER	6	
6	94484-32800	NUT, side cover upper	6	
7	09139-06027	SCREW, side cover lower (6x12)	2	
8	09161-06021	WASHER	2	
9	94570-04A00	CUSHION, side cover	2	
10	08321-21064	LOCK WASHER	2	
11	09139-05032	SCREW, under cowl upper (5x18)	6	
12	09161-05017	WASHER	6	
13	94484-32800	NUT, under cowl upper	6	
14	09139-06028	SCREW, under cowlrear (6x20)	2	
15	09160-06056	WASHER	2	
16	09180-06152	SPACER	2	
17	09320-09016	CUSHION	2	
18	94580-40C00	BRACE, under cowl RH	1	
19	94590-40C00	BRACE, under cowl LH	1	
20	09139-06039	SCREW, under cowl lower (6x16)	2	
21	09161-06021	WASHER	2	
22	94493-06800	BRACE, under cowl lower	1	
23	09139-06039	SCREW, under cowl lower (6x16)	2	
24	09161-06021	WASHER	2	
25	94490-06800	BRACE, under cowl lower front	1	
26	09139-06030	SCREW, under, cowl center (6x16)	1	
27	09139-05025	SCREW, under cowl front (5x14)	2	
28	08316-26055	NUT	2	

GSX-R750M E28

AIR CLEANER.....C-5	COWLING BODY.....H-8	ELECTRICAL.....E-6	FR MASTER CYL.....G-12	MUFFLER.....E-8	RR MASTER CYL.....H-7	STARTING MOTOR...E-2
ALTERNATOR.....E-3	COWLING FIT SET...H-11	FOOTREST.....F-4	FR WHEEL.....G-7	OIL COOLER.....C-6	RR SWINGING ARM..H-2	STEERING DAMPER..G-5
BATTERY.....E-5	CRANKCASE.....B-5	FRAME.....F-2	FUEL COCK.....F-6	OIL PAN.....C-7	RR WHEEL.....H-5	STEERING STEM...G-4
CAM CHAIN.....B-14	CRANKCASE COVER..B-7	FRAME COVER...F-8	FUEL TANK.....F-5	OIL PUMP.....B-9	SEAT.....F-7	TAIL LAMP.....E-10
CAM SHAFT.....B-12	CRANKSHAFT.....B-10	FR BRAKE HOSE..G-11	GEAR SHIFTING..D-5	OPTIONAL.....H-13	SIGNAL GENERATOR..E-4	TRANSMISSION....D-3
CARBURETOR.....C-2	CYLINDER.....B-4	FR CALIPERS...G-10	HANDLE SWITCH..G-9	RR CALIPER.....H-6	SPEEDOMETER.....E-7	URNSIGNAL LAMP..E-9
CARBURETOR FIT..C-4	CYLINDER HEAD...B-3	FR DAMPER.....G-2	HANDLEBAR.....G-8	RR CUSHION LEVER..H-3	STAND.....F-3	WIRING HARNESS..E-11
CLUTCH.....D-2	CYL HEAD COVER..B-2	FR FENDER.....G-6	HEADLAMP.....E-8	RR FENDER.....H-4	STARTER CLUTCH...B-11	

FIG.55

H - 12



GSX-R750M E28

FIG.55 (H-12) COWLING FITTING SET

REF.NO.	PART NO.	DESCRIPTION	Q'TY	REMARKS
29	94510-18D00	BRACE, cowling	1	
30	01137-08305	BOLT, brace (8x30)	2	
31	08313-21085	NUT	1	
32	94531-41C00	BRACE, cowling center	1	
33	01187-08405	BOLT, brace center (8x40)	2	
34	94533-41C00	SHEET, eowl heat guard	1	
35	94451-18D00	PIPE, air intake front RH	1	
36	94452-18D00	PIPE, air intake front LH	1	
37	02142-06207	SCREW, pipe RH	1	
38	02142-06125	SCREW, pipe LH	1	
39	94454-18D00	JOINT, air intake	2	
40	94453-17C00	PIPE, air intake rear RH	1	
41	94455-17D00	PLATE, air intake LH	1	
42	01137-06165	BOLT	1	
43	94415-41C00	CUSHION, front position lamp	1	

GSX-R750M E28

AIR CLEANER...C-5	COWLING BODY...H-8	ELECTRICAL...E-6	FR MASTER CYL...G-12	MUFFLER...E-8	RR MASTER CYL...H-7	STARTING MOTOR...E-2
ALTERNATOR...E-3	COWLING FIT SET...H-11	FOOTREST...F-4	FR WHEEL...G-7	OIL COOLER...C-6	RR SWINGING ARM...H-2	STEERING DAMPER...G-5
BATTERY...E-5	CRANKCASE...B-5	FRAME...F-2	FUEL COCK...F-6	OIL PAN...C-7	RR WHEEL...H-5	STEERING STEM...G-4
CAM CHAIN...B-14	CRANKCASE COVER...B-7	FRAME COVER...F-8	FUEL TANK...F-5	OIL PUMP...B-9	SEAT...F-7	TAIL LAMP...E-10
CAM SHAFT...B-12	CRANKSHAFT...B-10	FR BRAKE HOSE...G-11	GEAR SHIFTING...D-5	OPTIONAL...H-13	SIGNAL GENERATOR...E-4	TRANSMISSION...D-3
CARBURETOR...C-2	CYLINDER...B-4	FR CALIPERS...G-10	HANDLE SWITCH...G-9	RR CALIPER...H-6	SPEEDOMETER...E-7	TURNSIGNAL LAMP...E-9
CARBURETOR FIT...C-4	CYLINDER HEAD...B-3	FR DAMPER...G-2	HANDLEBAR...G-8	RR CUSHION LEVER...H-3	STAND...F-3	WIRING HARNESS...E-11
CLUTCH...D-2	CYL HEAD COVER...B-2	FR FENDER...G-6	HEADLAMP...E-8	RR FENDER...H-4	STARTER CLUTCH...B-11	

FIG.56

H - 13

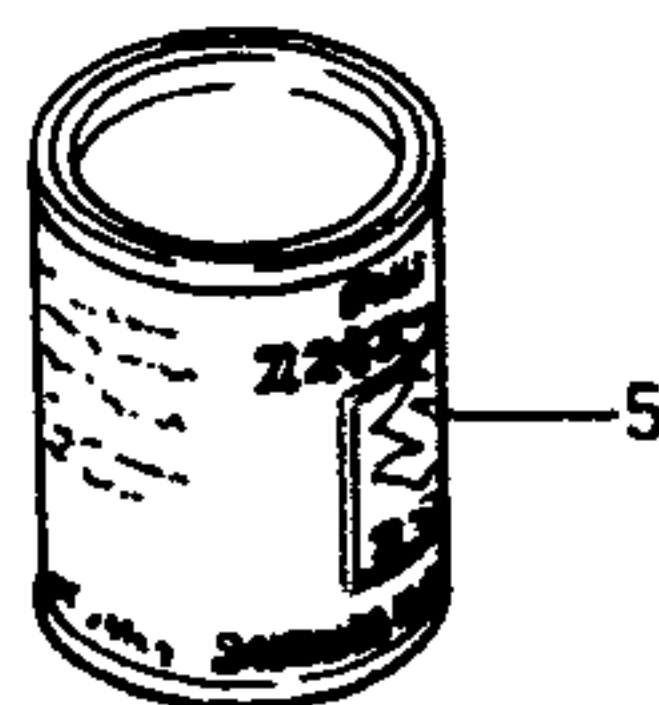
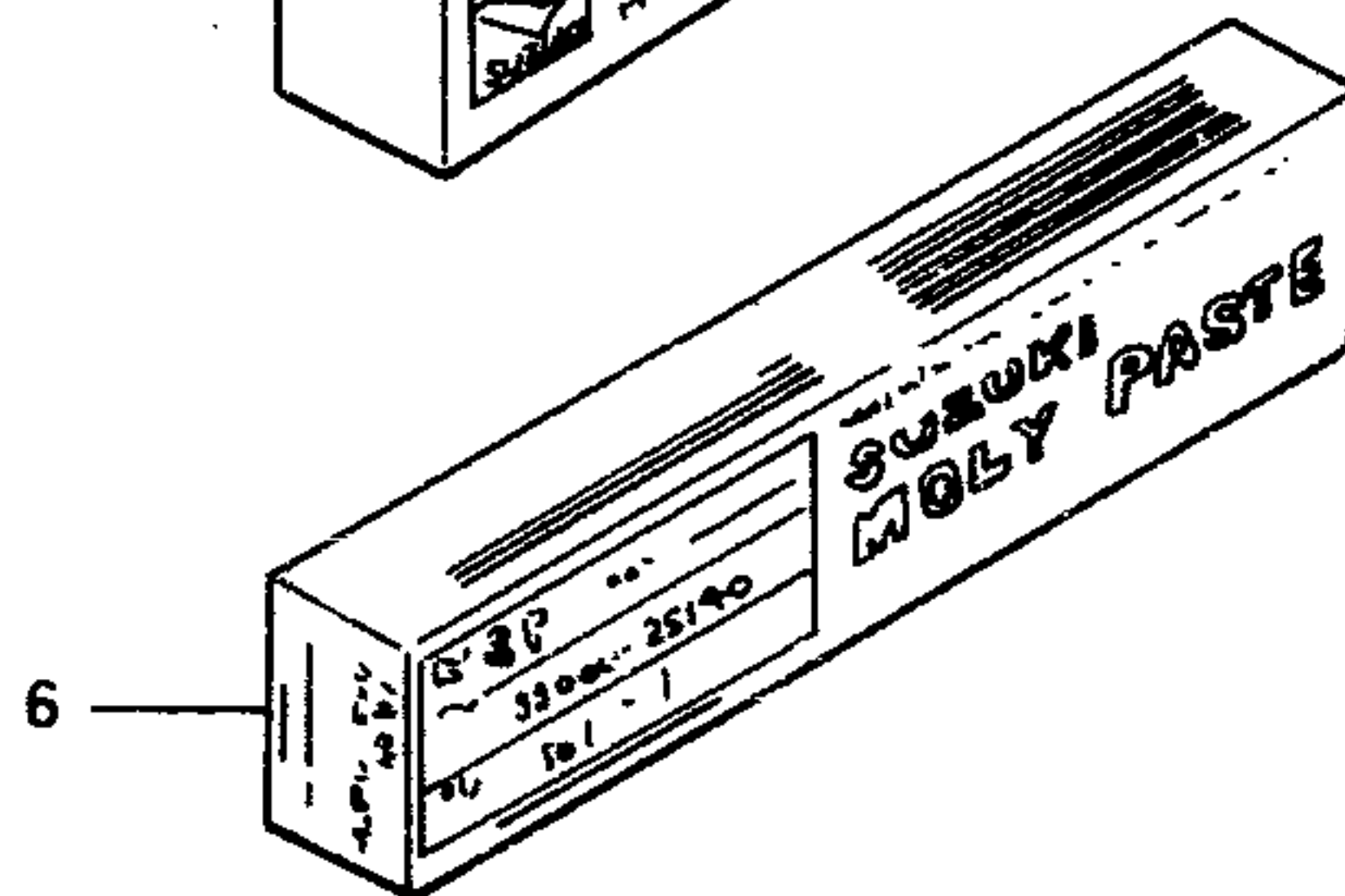
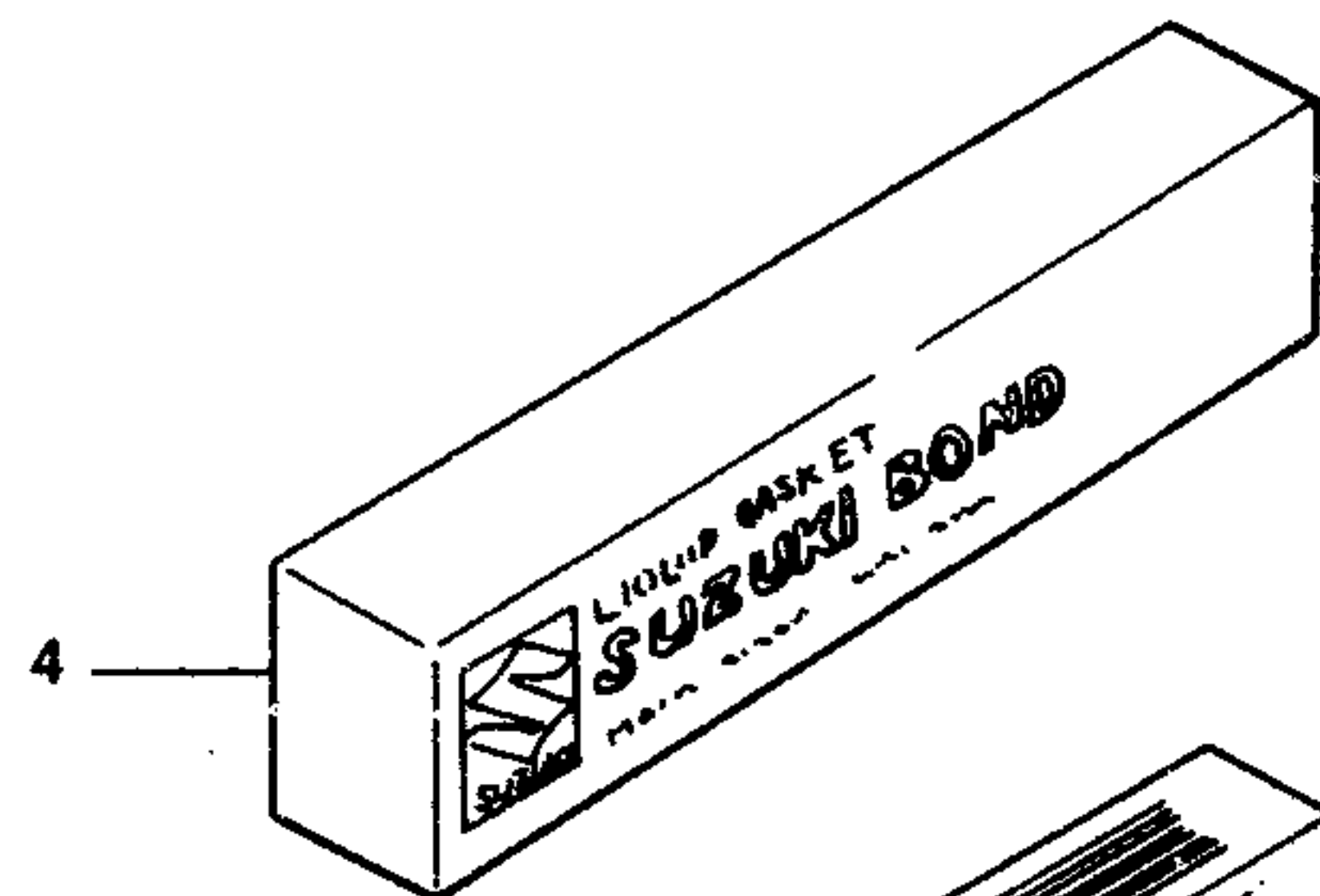
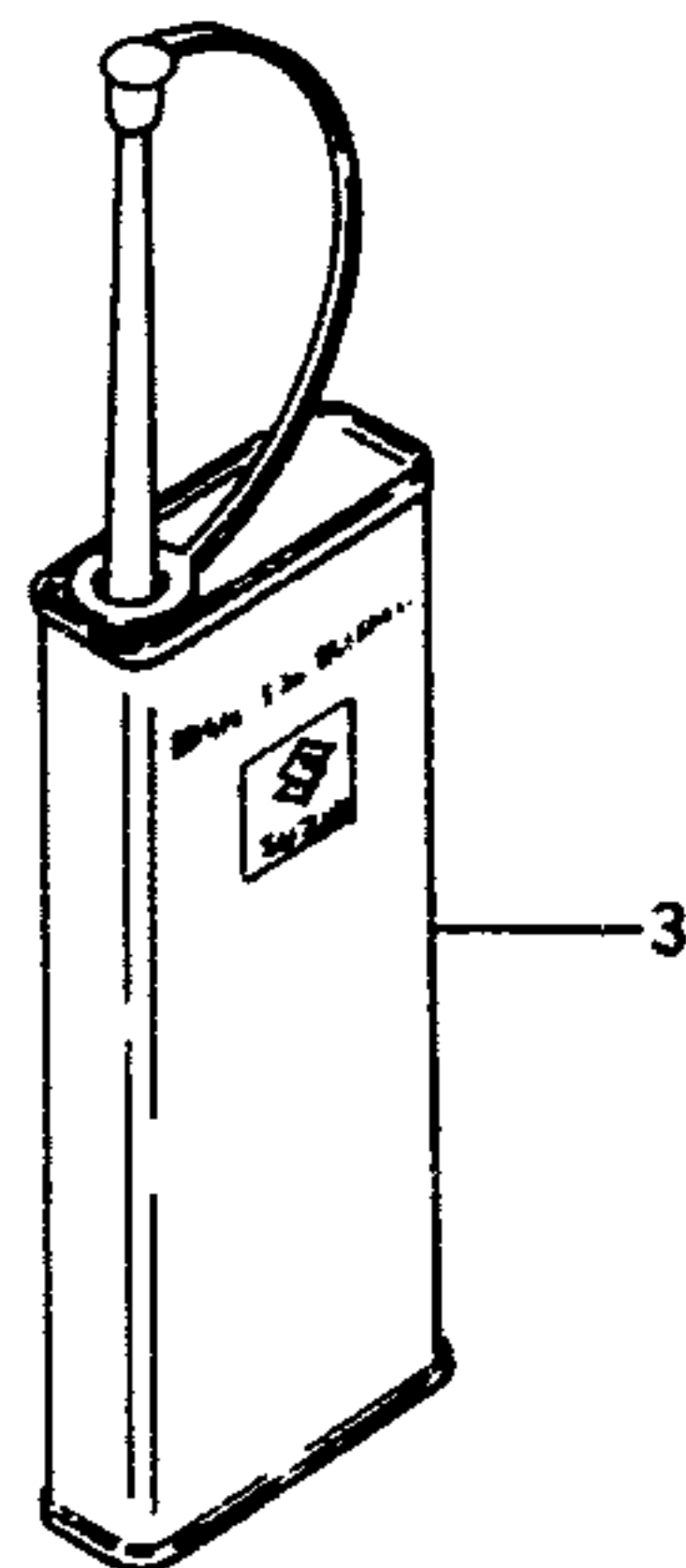
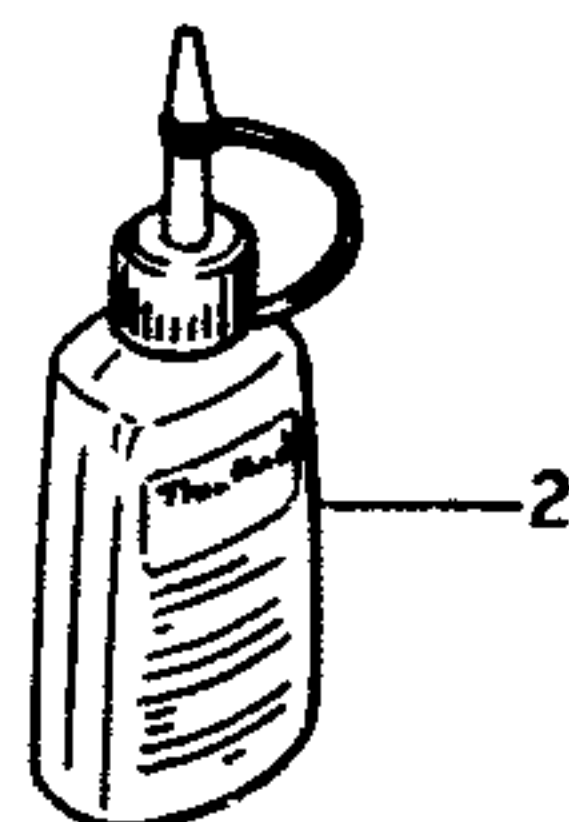
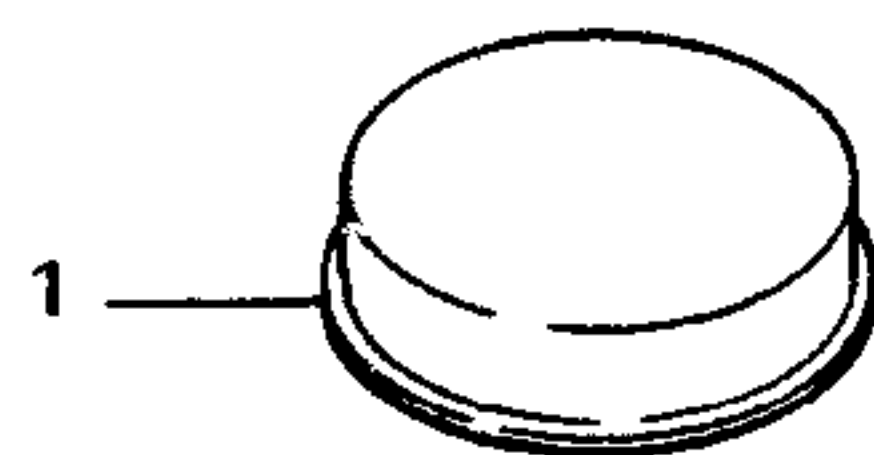
65

FIG.56 (H-13) OPTIONAL

Q'TY

REMARKS

REF.NO.	PART NO.	DESCRIPTION	Q'TY	REMARKS
1	99000-25110	SUZUKI P8C GREASE	1 20g	
2-1	99104-32020	THREAD LOCK SUPER (1333)	1 50g	
2-2	99104-32030	THREAD LOCK SUPER (1363A)	1 50g	
2-3	99000-32050	THREAD LOCK SUPER (1342)	1 50g	
2-4	99000-32100	THREAD LOCK SUPER (1305)	1 50g	
2-5	99000-32130	THREAD LOCK SUPER (1360)	1 50g	
3	99000-32040	THREAD LOCK CEMENT	1 200g	
4	99000-31140	SUZUKI BOND (1207B)	1 100g	
5	99000-25030	SUZUKI SUPER GREASE	1 150g	
6	99000-25140	SUZUKI MOLY PASTE	1 50g	



GSX-R750M E28

GSX-R750M E28

AIR CLEANER...C-5	COWLING BODY...H-8	ELECTRICAL...E-6	FR MASTER CYL...G-12	MUFFLER...E-8	RR MASTER CYL...H-7	STARTING MOTOR...E-2
ALTERNATOR...E-3	COWLING FIT SET...H-11	FOOTREST...F-4	FR WHEEL...G-7	OIL COOLER...C-6	RR SWINGING ARM...H-2	STEERING DAMPER...G-5
BATTERY...E-5	CRANKCASE...B-5	FRAME...F-2	FUEL COCK...F-6	OIL PAN...C-7	RR WHEEL...H-5	STEERING STEM...G-4
CAM CHAIN...B-14	CRANKCASE COVER...B-7	FRAME COVER...F-8	FUEL TANK...F-5	OIL PUMP...B-9	SEAT...F-7	TAIL LAMP...E-10
CAM SHAFT...B-12	CRANKSHAFT...B-10	FR BRAKE HOSE...G-11	GEAR SHIFTING...D-5	OPTIONAL...H-13	SIGNAL GENERATOR...E-4	TRANSMISSION...D-3
CARBURETOR...C-2	CYLINDER...B-4	FR CALIPERS...G-10	HANDLE SWITCH...G-9	RR CALIPER...H-6	SPEEDOMETER...E-7	TURN SIGNAL LAMP...E-9
CARBURETOR FIT...C-4	CYLINDER HEAD...B-3	FR DAMPER...G-2	HANDLEBAR...G-8	RR CUSHION LEVER...H-3	STAND...F-3	WIRING HARNESS...E-11
CLUTCH...D-2	CYL HEAD COVER...B-2	FR FENDER...G-6	HEADLAMP...E-8	RR FENDER...H-4	STARTER CLUTCH...B-11	

M - 1

PART NO.	ADDRESS NO.	PART NO.	ADDRESS NO.	PART NO.	ADDRESS NO.	PART NO.	ADDRESS NO.	PART NO.	ADDRESS NO.		
10000		12163-27A52	B-10	12892-41C00-275	B-12	13374-46710	C-2	13673-44800	C-4	16540-27A02	B-9
		12164-27A00-0A0	B-10	12892-41C00-280	B-12	13375-60A00	C-4	13680-17D00	C-4	16591-06B00	B-6
		12164-27A00-0B0	B-10	12892-41C00-285	B-12	13382-17D00	C-2	13683-17D00	C-4	16600-17D00	C-7
		12164-27A00-0C0	B-10	12892-41C00-290	B-12	13383-17D00	C-2	13683-18D00	C-3	16628-27A00	C-7
		12164-27A00-0D0	B-10	12892-41C00-295	B-12	13387-17D00	C-2	13683-41C00	C-4	16629-27A01	C-7
11100-18D00	B-3	12220-27A04	B-10	12892-41C00-300	B-12	13394-31210	C-2	13683-41C10	C-4	20000	
11116-18D70	B-3	12228-43411	B-10	12892-41C00-305	B-12	13410-17C00	C-4	13684-20C10	C-4		
11131-27A00	B-3	12228-43412	B-10	12892-41C00-310	B-12	13411-05320	C-3	13685-44B00	C-4		
11133-27A00	B-3	12228-43413	B-10	12892-41C00-315	B-12	13413-17C00	C-4	13700-17D10	C-5		
11135-27A02	B-3	12228-43414	B-10	12892-41C00-320	B-12	13415-38300	C-4	13720-07D00	C-5		
11137-27A01	B-12										
11136-27A02	B-3	12228-43415	B-10	12892-41C00-325	B-12	13417-09110	C-3	13760-17C01	C-5	21200-07864	D-2
11138-40C00	B-3	12228-43416	B-10	12892-41C00-330	B-12	13417-09210	C-4	13760-17D10	C-5	21231-06B00	E-3
11141-07D01	B-3	12229-27A00-CA0	B-10	12892-41C00-335	B-12	13417-17D00	C-2	13780-17C00	C-5	21410-17D00	D-2
11143-06B00	B-3	12229-27A00-0B0	B-10	12892-41C00-340	B-12	13418-17C00	C-3	13824-17D10	C-5	21441-20C00	D-2
11171-17D00	B-2	12229-27A00-0C0	B-10	12892-41C00-345	B-12	13418-17C10	C-3	13826-17D10	C-5	21442-17C00	D-2
11173-27A02	B-2	12229-27A00-0D0	B-10	12892-41C00-350	B-12	13421-17C00	C-4	13848-17C00	C-5	21451-17C00	D-2
11176-31301	B-2	12229-27A10-0A0	B-10	12911-18D00	B-12	13427-38300	C-4	13853-17D10	C-5	21462-17D00	D-2
11177-27A00-H17	B-2	12229-27A10-0B0	B-10	12912-18D00	B-12	13432-17C00	C-4	13854-17C01	C-5	22721-17D00	D-2
11178-27A01	B-2	12229-27A10-0C0	B-10	12920-41C00	B-12	13439-17C00	C-4	13870-41C00	C-5	22730-19C01	E-3
11179-27A02	B-2	12229-27A10-0D0	B-10	12931-41C00	B-12	13501-17D00	C-2	13880-07D00	C-5	22733-27A04	E-3
11210-07D00	B-4	12600-17811	B-11	12932-27A00	B-12	13502-17D00	C-3	13890-07D00	C-5	23116-27A30	D-3
11241-27A02	B-4	12611-27A01	B-11	12933-81400	B-12	13507-07D00	C-2	13897-17C00	C-5	23165-07D00	D-2
11301-27810	B-5	12711-18D00	B-12	13101-17D00	B-3	13508-17C00	C-3	13899-17C01	C-5	23261-17C00	D-2
11328-27A02	B-4	12721-18D00	B-12	13102-17D00	B-3	13550-17D00	C-2	14100-17D50-H01	C-6	23271-17C00	D-2
11340-07D00	B-7	12741-27A00	B-12	13103-17D00	B-3	13550-17D10	C-2	14155-27A00	C-6	24121-17C02	D-3
11351-17C00	B-7	12760-17D00	B-14	13104-17D00	B-3	13550-17D20	C-3	14181-18C00	C-6	24131-17D00	D-3
11361-17C02	B-7	12771-27A00	B-14	13201-18D00	C-2	13550-17D30	C-2	14182-27A00	C-6	24221-27A01	D-3
11381-27A01	B-7	12780-27A03	B-14	13202-18D00	C-2	13551-17D00	C-2	14305-17D10	C-6	24231-27A00	D-3
11400-07B91	B-2	12788-48B01	B-14	13203-18D00	C-2	13553-17C00	C-2	14412-17D00	C-6	24251-27A01	D-3
11482-27A10	B-7	12791-27A00	B-14	13204-18D00	C-2	13553-44B00	C-2	14770-07D01	C-6	24261-17C01	D-3
11483-27A10	B-7	12800-41810	B-13	13240-07D00	C-2	13556-44B00	C-2	14771-07D00	C-6	24311-27A01	D-3
11489-27A10	B-8	12810-27A00	B-14	13247-02340	C-3	13557-05A10	C-4	16332-19C00	B-9	24321-27A02	D-3
11491-27A10	B-7	12814-34200	B-14	13258-44B00	C-2	13557-05A20	C-3	16400-06B10	B-9	24331-17D00	D-3
11511-17D01	B-8	12830-27A06	B-14	13267-44B00	C-4	13557-07D00	C-3	16440-17C00	B-8	24331-27A00	D-3
11611-17C00	B-6	12832-27A00	B-14	13268-17C10	C-4	13557-47070	C-2	16442-34301	B-8	24332-27A00	D-3
11681-27A00	B-6	12833-27A00	B-14	13268-47070	C-3	13573-07D00	C-2	16460-17D10	C-7	24341-27A01	D-3
11971-33200	B-7	12834-27A00	B-14	13271-44B00	C-4	13573-07D10	C-2	16470-17D10	C-7	24351-27A00	D-4
12111-17D02-0F0	B-10	12837-27A00-H17	B-14	13278-02340	C-2	13602-05108	C-4	16481-17D00	B-9	24361-27A02	D-4
12111-17D02-050	B-10	12841-33C01	B-12	13279-41C00	C-4	13602-34390	C-3	16491-27A01	B-9	24361-27A03	D-4
12111-17D02-100	B-10	12861-41C00	B-12	13279-47070	C-3	13604-07D00	C-2	16510-06B01	B-9	24741-27A00	D-3
12140-07D10	B-10	12892-41C00-250	B-12	13291-29900	C-3	13606-02340	C-4	16520-09301	B-8	24751-27A01	D-4
12140-07D10-050	B-10	12892-41C00-255	B-12	13295-29900	C-3	13628-07D00	C-4	16525-06B00	B-8	25211-27A00	D-5
12140-07D10-100	B-10	12892-41C00-260	B-12	13331-07D00	C-2	13628-17C00	C-4	16528-27A10	B-8	25221-27A01	D-5
12151-07D00	B-10	12892-41C00-265	B-12	13370-07D00	C-2	13671-12C00	C-3	16529-27A01	B-8	25231-27A00	D-5
12160-17D00	B-10	12892-41C00-270	B-12	13374-44080	C-2	13671-33600	C-3	16530-27A02	B-9	25310-27A02	D-5
										25322-31301	D-5
										25323-34201	D-5

M - 2

PART NO.	ADDRESS NO.	PART NO.	ADDRESS NO.	PART NO.	ADDRESS NO.	PART NO.	ADDRESS NO.	PART NO.	ADDRESS NO.		
25324-34201	D-5	31613-48B00	E-3	34950-18D00	E-7	40000	43980-18D30	F-2	51103-18D10	G-2	
25331-31301	D-5	31613-82610	E-3	35100-18D00	E-8		44100-18D00-3RZ	F-5	51104-18D10	G-2	
25341-27A00	D-5	31614-48B00	E-3	35121-18D00	E-8		44100-18D00-3SL	F-5	51110-18D10	G-2	
25350-27A00	D-5	31621-27A00	E-3	35173-41C00	E-8		44100-18D10-05X	F-5	51117-08D00	G-2	
25353-27A00	D-5	31656-48B00	E-3	35250-33C10	E-8		44151-17C00	F-5	51120-18D10	G-2	
25381-38400	D-5	31687-27A00	E-3	35601-12C11	E-9	41100-18840	F-2	44191-17D00	F-5	51121-48B31	G-2
25411-27A00	D-5	31688-06B00	E-3	35601-17C41	E-9	41140-17D00	F-2	44201-01851	F-5	51131-18D10	G-2
25510-19C00	D-5	31688-27A00	E-3	35612-17C20	E-9	41384-17C60	F-2	44240-06B10	F-5	51135-17D00	G-2
25520-19C02	D-6	31710-48B03	E-3	35613-27A00	E-9	41540-17C02	E-5	44300-41C00	F-6	51147-17C00	G-2
25525-17C02	D-6	31776-06B00	E-3	35623-27A00	E-9	41550-49200	F-2	44305-17C00	F-6	51152-48B31	G-2
25600-17C03	D-6	31780-48B00	E-3	35627-27A02	E-9	41680-17D00	G-5	44306-17C00	F-6	51153-08D00	G-2
25652-16500	D-6	31800-49100	E-6	35674-27A01	E-9	41881-06C00	F-2	44511-41C00	F-5	51156-08D00	G-2
25671-01000	D-5	31861-10D10	E-6	35695-17C00	E-9	41911-40C00	F-2	44545-41C00	F-5	51162-70040	H-7
27510-17C00	D-4	32500-27A00	E-3	35710-18D30	E-10	41921-17C02	F-2	44885-38A00	F-2	51168-38B00	G-2
27600-17C20-108	D-4	32900-17D00	E-4	35718-41C00	E-10	41940-40C01	F-2	45100-41C00-58R	F-7	51171-18D10	G-2
30000		33110-17C00	E-4	35725-40511	E-9	41950-40C01	F-2	45123-17C00	F-7	51172-22D00	G-2
		33120-19C00	E-4	35927-00A10	E-10	42100-17C00	F-3	45149-04A00	F-8	51172-34A00	G-2
		33410-17C00	E-6	35950-43431	E-8	42310-07D02	F-3	45180-41C00-58R	F-7	51173-08D00	G-2
		33420-17C00	E-6	35956-17D00	E-8	42330-07D00	F-3	45186-06B00	F-7	51175-22D00	G-2
		33510-07D00	E-6	35957-17D00	E-8	43110-17C03	F-3	45220-17C00	F-7	51176-18D10	G-2
31100-27A01-H17	E-2	33541-20C00	E-6	35970-00A21	E-10	43130-24A00	G-7	45271-17C01	F-7	51187-08D00	G-3
31130-38300	E-2	33542-38B00	E-6	35974-18D00	E-10		H-5	45272-17C02	F-7	51189-18D00	G-3
31132-27A01	E-2	33543-48B00	E-6	36110-18D00	E-8	43213-17C01	F-4	45290-41C01	F-7	51193-17D00	G-2
31135-65010	E-2	33610-49210	E-5	36118-41C00	E-8	43214-17C01	F-4	45300-41C10-58R	F-7	51199-17D00	G-3
31143-38300	E-2	33651-37000	E-5	36380-32C10	E-7	43251-17C01	E-11	45326-17C00	F-8	51311-17D00	G-4
31153-43400	E-2	33652-29100	E-5	36381-32C10	E-7	43261-17C00	F-3	45500-41810-0JW	F-7	51328-18D00	G-4
31156-38300	E-2	33680-14A00	E-5	36610-18D30	E-11	43511-17C02	F-4	45500-41810-33J	F-7	51353-17C00	G-4
31170-43400	E-2	33810-18D00	E-6	36611-38A00	E-11	43511-17D01	F-4	45700-19840	F-7	51354-17D00	G-4
31171-38300	E-2	33860-17C02	E-5	36740-17D00	E-11	43521-17C02	F-4	46220-41C00-58R	F-7	51410-17D00	G-4
31172-38300	E-2	33885-27A01	D-6	36750-05A00	E-11	43522-17D01	F-4	47110-18D00-3RZ	F-8	51556-38B00	G-2
31264-44110	E-2	34110-07D20	E-7	36856-18D00	E-11	43529-17D00	F-4	47110-18D00-3SL	F-8	51580-17D10	G-3
31281-88C00	E-2	34111-17C00	E-7	37100-17C02	E-11	43529-17D10	F-4	47110-18D10-05X	F-8	51590-17D10	G-3
31310-27A01-H17	E-2	34124-49400	E-7	37146-03A80	E-11	43530-17C01	F-4	47210-18D00-3RZ	F-8	51631-28000	G-4
31400-48B03	E-3	34131-48B10	E-7	37200-41C30	G-9	43561-17C01	F-3	47210-18D00-3SL	F-8	51740-17D00	G-4
31480-48B00	E-3	34132-17C00	E-7	37400-18D10	G-9	43563-17C01	F-3	47210-18D10-05X	F-8	51750-40C21	G-5
31514-27A00	E-3	34170-17C20	E-7	37720-48B00	D-6	43586-40C01	F-4	47310-41C00-0JW	F-8	51759-40C21	G-5
31516-85250	E-3	34189-04A30	E-7	37740-04A10	E-11	43600-18D00	F-4	47310-41C00-0LX	F-8	51760-40C01	G-5
31580-48B00	E-3	34189-17C00	E-7	37820-33200	B-6	43611-32C00	F-4	47310-41C00-33J	F-8	51781-17D00	G-5
31585-48B00	E-3	34210-18D00	E-7	37840-17C01	E-11	43612-17D00	F-4	47410-18D00	E-6	51815-22D00	G-2
31586-48B00	E-3	34716-32C00	E-7	38500-18D00	E-11	43621-32C00	F-4	47410-41C00	F-8	51821-17D00	G-3
31587-19C00	E-3	34718-32C00	E-7	38610-31310	E-9	43691-17C00	F-4	50000	51823-17D00	G-3	
31611-48B00	E-3	34910-41C00	E-7	38740-24B10	E-11	43700-18D00	F-4		51824-17C00	G-3	
31612-06B00	E-3	34938-17D51	E-7			43810-18D00	F-4		51827-17C00	G-2	
31612-48B00	E-3	34938-41C00	G-4			43815-41C00	F-8		51828-17D00	G-3	
31613-27A10	E-3	34939-17D00	E-7			43821-18D00	F-4		51829-17D00	G-3	

M - 3

PART NO.	ADDRESS NO.	PART NO.	ADDRESS NO.	PART NO.	ADDRESS NO.	PART NO.	ADDRESS NO.	PART NO.	ADDRESS NO.		
51830-07D00	G-2	57460-17C00	G-9	59671-36500	G-12	63411-35BC0	F-7	68270-18D00-28V	H-8	69731-17D00	H-7
51834-17C00	G-2	57465-17C00	G-9	59672-17C00	G-12	63411-42A00	H-4	68270-18D10-H16	H-10	69732-17C01	H-7
51835-17C00	G-2	57500-18D10	G-9	59673-17C00	G-12	64111-07D00-1DR	H-5	68280-18D00-ONG	H-8	69740-38B20	H-7
51836-17C00	G-2	57560-18D10	G-9	59675-17C00	G-12	64111-07D00-28W	H-5	68280-18D00-28V	H-8	69751-17C00	H-7
51837-17D00	G-3	57620-27A31	G-9	59731-17D00	G-12	64300-07810	H-2	68280-18D10-H16	H-10		
52110-18D10	G-2	57641-20A03	G-9	59735-17C00	G-12	64336-20A00	H-2	68319-40C10	H-9		
53110-17D20-ONG	G-6	57644-20A02	G-9	59740-07D00	G-12	64339-40410	G-5	68612-48B00	H-9		
53110-17D20-17U	G-6	58200-18D00	G-8	59743-17C00	G-12	64352-40411	H-2	68612-48B10	H-9		
53110-17D20-28V	G-6	58285-17C00	G-4	59750-17C00	G-12	64511-07D10	H-5				
54111-17C00-1DR	G-7	58285-17D02	G-8							90000	
54111-17C00-28W	G-7	58300-18D00	G-8			64611-40C00	H-5			94400-18D00-3SH	H-8
54600-17C00	G-7	59100-17830	G-10			64651-31001	H-5	68613-40C00	H-9	94400-18D00-3SP	H-8
54711-17D00	G-7	59100-33C00	G-10	60000		64711-40C10	H-5			94400-18D10-36X	H-10
54740-17C00	G-7	59107-13A00	G-10			64731-40C00	H-5	68680-18D00-ONE	H-8	94415-41C00	H-12
55110-41C00	G-7	59107-17C00	G-10			64733-48B00	H-5	68680-18D00-019	H-8	94430-18D00-3RZ	H-8
55411-00A00	G-7	59107-18410	H-6	61000-17D00	H-2	64740-48B00	H-5	68681-18D10-H61	H-10	94430-18D00-3SL	H-8
	H-5	59108-13A00	G-10	61165-27A30	F-3	64751-40C00	H-5	68681-33C10-3ZK	H-8	94430-18D30-05X	H-10
55412-00A00	G-7	59108-16700	H-6	61211-40C00	H-2	65110-18D00	H-5	68681-33C10-3ZL	H-8	94432-18D00	H-8
	H-5	59108-17C00	G-10	61213-40C30	H-2	68110-18D01-H14	F-5	68685-18D00-H21	H-10		H-10
55413-00A00	G-7	59121-01A00	G-10	61214-40C30	H-2	68111-12C00-13L	F-5	68690-18D00-ONE	H-8	94435-17D00	C-7
56111-17D00	H-5	59121-18410	H-6	61251-17C00	H-2	68111-34320-ONE	H-9	68690-18D00-019	H-8	94440-18D00-3RZ	H-8
56151-17D00	G-8	59122-01A00	G-10	61262-17C00	H-2	68111-34320-019	H-9	68695-18D00-H21	H-10	94440-18D00-3SL	H-8
56200-17810	G-8	59122-18410	H-6	61273-40C00	H-2	68111-34320-13L	H-10	69100-17C00	H-6	94440-18D30-05X	H-10
56271-17D00	G-8	59130-33C00	G-10	61282-17C00	H-2	68115-18D01-3SL	F-5	69100-17830	H-6	94442-18D00	H-8
		59143-16700	H-6	61411-40C00	H-5	68115-18D01-3SP	F-5	69107-17C00	G-10		H-10
56272-17D00	G-8	59145-17C00	G-10	61415-40C00	H-5	68131-18D00-H04	F-8	69107-34200	H-6	94451-18D00	H-12
56272-44500	G-8		H-6	61431-40C00	H-2	68131-18D00-H15	F-8	69130-06B00	H-6	94452-18D00	H-12
56274-12C00	G-8	59151-16701	H-6	62100-18D00	H-3	68131-18D00-3SS	F-8	69141-45000	H-6	94453-17C00	H-12
56275-34400	G-8	59210-40C02	G-7	62175-00B00	H-3	68135-18D01-ONE	F-8	69142-45000	H-6	94454-18D00	H-12
56276-17D00	G-8	59220-40C02	G-7	62311-08300	H-3	68135-18D01-019	F-8	69211-17C00	H-5	94455-17D00	H-12
56500-18D00-ONE	G-8	59240-17D00	G-11	62317-17C00	H-2	68135-18D11-H17	F-8	69412-27A00	H-5	94470-18D10-3CH	H-10
56500-18D00-84N	G-8	59300-33C00	G-10		H-3	68145-18D01-ONE	F-8	69480-17D10	H-7	94470-18D10-3RZ	H-9
56528-18D00	G-8	59315-17C00	G-10	62331-07D00	H-3	68145-18D01-019	F-8	69600-16820	H-7	94470-18D10-3SL	H-9
56600-18D00-ONE	G-8	59345-33C00	G-10	62600-17830	H-3	68145-18D11-H17	F-8	69600-17C01	H-7	94480-18D10-3CH	H-10
56600-18D00-84N	G-8	59371-33410	H-6	62621-17C00	H-3	68166-31300-ONE	F-8	69669-24A01	H-7	94480-18D10-3RZ	H-9
56619-12C00	G-8	59440-17D00	G-11	62641-17C00	H-3	68166-31300-019	F-8	69670-48B00	H-7	94480-18D10-3SL	H-9
56628-18D00	G-8	59480-17D10	G-11	62647-04A00	H-6	68166-31300-13L	F-8	69672-05A00	H-7	94484-32B00	H-4
57110-22D01	G-9	59491-40C01	G-11	62657-34A01	H-3	68181-32B00-0JW	F-5	69674-00B20	G-12		H-11
57211-22D00	G-9	59600-32C00	G-12	62658-17C00	H-3	68181-36A00-ONE	H-9	69686-34200	G-12	94490-06B00	H-11
57420-32C00	G-9	59600-45860	G-12	62683-43400	H-3	68181-36A00-019	H-9		H-7	94493-06B00	H-11
57430-40C00	G-9	59666-44300	G-12	62684-43401	H-3	68181-36A00-13L	H-10	69689-04A00	H-7	94498-17D01-0JW	H-9
57431-17C00	G-9	59667-04700	H-7	63110-40C00	H-4	68182-12C00-0JW	H-8	69691-00A00	H-7	94498-17D01-33J	H-10
57431-49110	G-9	59667-18441	G-12	63112-18D00	H-4		H-10	69692-27A30	H-7	94510-18D00	H-12
57437-32C00	G-9	59668-18441	G-12	63113-40C00	H-4	68241-27A00	F-5	69693-05A00	H-7	94531-41C00	H-12
57438-32C00	G-9	59669-07D00	G-12	63114-17C00	H-4	68270-18D00-ONG	H-8	69720-17C00	H-5	94533-41C00	H-12

M - 4

PART NO.	ADDRESS NO.	PART NO.	ADDRESS NO.	PART NO.	ADDRESS NO.	PART NO.	ADDRESS NO.	PART NO.	ADDRESS NO.		
94570-04A00	H-11	01517-06105	B-14	02112-74085	E-7	07110-06165	B-4	08211-25402	D-4		
94576-41C00	G-8		E-11		G-9		B-7	08211-28381	D-3	08322-11188	H-2
94580-40C00	H-11		H-4	02112-74125	H-7		C-7	08212-06222	D-4	08322-21064	G-9
94590-40C00	H-11	01517-06125	E-7	02112-74128	G-12		G-11	08221-08126	G-5	08322-21067	G-8
94610-18D00	H-8	01517-06128	B-3	02112-75165	E-8	07110-06205	B-7	08221-12205	B-9		H-7
94616-22D00	H-10	01517-06164	C-5	02122-06128	D-5	07110-06255	B-7	08221-25365	D-2	08331-11289	D-3
94631-18D00	H-11		E-10	02122-06167	D-3		B-14	08310-11045	E-7	08331-31086	D-5
	H-8	01517-06167	G-12	02122-06255	F-7	07110-06257	B-8	08310-11057	E-7	08331-31128	B-9
	H-10	01517-06204	B-2	02142-05104	F-5	07110-06305	B-7		F-3	08331-31138	H-5
95721-18D00	H-4		G-5	02142-05124	H-4	07110-06355	B-7	08310-11067	D-6	08331-31258	D-5
95731-18D00	H-4		G-8	02142-05128	E-11	07110-06357	B-8	08310-12055	G-8	08331-41428	D-5
99000-25030	H-13	01517-06257	B-8	02142-05164	C-5	07110-06405	B-5	08310-22055	E-10	08361-15055	E-8
99000-25110	H-13		B-14	02142-05204	G-8		B-7	08310-22086	C-2	08361-35066	E-2
99000-25140	H-13	01517-06305	B-3	02142-06104	H-4	07110-06408	B-8	08310-22107	F-3		E-6
99000-31140	H-13	01517-06354	B-5	02142-06108	E-7	07110-06458	B-8	08310-22127	F-4	09100-08240	C-6
99000-32040	H-13	01517-06404	B-5	02142-06125	E-10	07110-06505	B-5	08313-21064	E-11	09103-06026	B-3
99000-32050	H-13	01517-06408	B-5		H-12		B-7	08313-21085	H-12	09103-06067	B-5
99000-32100	H-13	01517-06505	B-5	02142-06126	F-7	07110-06655	B-5	08314-41088	H-2	09103-07001	B-12
99000-32130	H-13	01517-06557	B-5	02142-06164	H-4		B-7	08316-16055	E-3	09103-08160	H-2
99000-69471	B-13	01517-06605	B-5	02142-06166	C-5	07110-06705	B-7	08316-16064	B-4	09103-08182	B-5
99104-32020	H-13	01517-06705	B-5	02142-06167	H-4	07110-08255	C-6		E-8	09103-08260	B-5
99104-32030	H-13	01517-06805	B-5	02142-06207	F-5	07110-08257	F-2		G-9	09103-08261	B-5
		01517-08128	G-3		H-12	07110-08305	F-3	08316-16088	F-3	09103-08264	B-5
		01517-08207	F-2	02152-06165	B-3	07110-08306	E-4	08316-16105	C-6	09103-10101	H-3
		01517-08254	F-4	03141-14125	F-8	07110-08355	G-8	08316-16106	B-3	09103-10139	B-6
		01517-08304	F-4	03241-15125	F-9	07110-08357	G-5	08316-26055	H-11	09103-10151	B-6
			H-6	03511-04165	E-8	07110-08358	F-3	08316-26065	E-10	09103-14005	B-11
		01517-08405	F-4	03541-04105	E-8	07110-08407	G-5	08316-26066	E-10	09106-05017	F-5
		01517-08457	C-6	03541-04125	F-9	07110-08508	G-2	08316-26105	E-9	09106-06059	B-7
		01517-08605	B-5	04111-16158	G-10	07110-08655	B-5	08316-26106	E-3	09106-07009	B-2
01104-05206	F-3	01517-08908	E-3	04111-20158	G-8	07110-10357	F-2	08319-21065	G-9	09106-07010	B-2
01107-06107	D-4	01517-10305	G-10		H-7	07120-06125	H-4	08319-21066	H-4	09106-08005	F-2
01107-06257	D-6	01517-10558	B-6	04111-20208	F-4	07120-06255	B-12	08319-21068	F-2	09106-08048	H-2
	H-7	01547-06207	D-2		H-2	07120-06308	B-9	08319-31065	G-9	09106-08062	G-7
01107-06307	E-10	01987-10558	B-6	04111-25158	F-4	07120-06358	B-9	08319-31067	F-7		H-5
01117-06165	F-7	02112-04126	F-6	04111-40408	H-5		G-5	08319-31087	G-5	09106-10017	F-2
01137-06128	B-8	02112-05107	E-4	04211-09129	B-7	07120-10407	C-6	08319-31107	H-3	09106-10022	G-4
01137-06165	H-12	02112-05128	C-4		B-9	08110-69050	D-5		H-5	09108-10073	B-4
01137-08305	H-12	02112-05164	E-7	04211-09189	B-7	08123-62047	G-7	08319-31148	H-3	09108-10109	B-4
01147-06168	D-4	02112-05166	C-3	04211-11189	B-3	08211-10283	E-3	08321-21046	F-6	09108-10110	B-4
01187-08405	H-12	02112-05455	G-9	04221-04089	B-10	08211-14323	H-3	08321-21064	H-11	09111-10036	F-3
01204-06204	G-9	02112-06556	E-6	04221-07129	D-3	08211-20341	D-3	08321-31086	C-2	09116-06064	F-8
01421-06205	B-4	02112-16126	E-4	04221-07209	D-4	08211-20381	H-2	08321-31087	F-2	09116-06097	F-5
01421-06408	B-5	02112-34128	E-7	04221-08129	B-2	08211-20382	H-2	08322-11084	C-6	09116-06111	H-2
01421-06608	B-5	02112-36165	E-11	06211-04063	D-5	08211-22341	D-3	08322-11088	F-4	09116-06150	D-2

M - 5

PART NO.	ADDRESS NO.	PART NO.	ADDRESS NO.	PART NO.	ADDRESS NO.	PART NO.	ADDRESS NO.	PART NO.	ADDRESS NO.		
09117-08026	C-6	09159-10069	B-3			09247-12103	B-5	09285-12002	D-2	09402-57501	H-3
09118-08131	C-7	09159-18007	H-2	09168-06026	F-6	09247-14001	B-8		D-5	09402-64205	C-5
09119-10060	H-5	09159-20004	D-4	09168-08008	B-2	09247-14032	B-3	09285-20006	D-3	09404-04402	E-7
09125-06009	E-11	09160-04014	E-8	09168-08021	B-5	09247-14034	B-3	09285-28002	H-5	09404-05403	E-11
09125-06029	C-5	09160-06006	E-5	09168-10002	D-5	09248-12004	B-2	09285-34007	G-4	09404-06402	G-8
09125-06038	E-5		F-2	09168-10031	B-3	09248-14005	B-5	09285-35001	H-5	09404-06403	E-11
09127-06017	G-8		H-4	09168-12002	B-2		B-8	09289-05011	B-12	09404-06404	E-11
09128-06006	F-6	09160-06056	E-10		B-5	09248-16003	B-5	09300-22008	D-3		H-3
09128-06013	E-6		H-11	09168-12012	F-5	09248-16010	B-8	09300-28001	D-3	09404-06415	E-11
09128-06024	E-2	09160-06059	E-10	09168-14004	B-3	09250-08012	C-6	09301-25001	D-3	09404-10404	C-5
09136-06062	F-8	09160-06092	E-8		B-5	09259-20012	B-7	09320-04007	H-11	09407-09402	F-7
09136-06083	F-8	09160-08010	F-2		B-8	09261-05003	D-5	09320-08018	F-8	09407-10404	E-11
09138-05003	D-6	09160-08069	C-6	09168-16002	B-8	09261-05006	B-9	09320-08048	E-10	09407-14403	E-4
09139-05025	H-8	09160-10013	F-2		C-7	09262-20042	H-5	09320-08051	E-8		F-11
	H-10	09160-10060	B-3	09169-05012	F-5	09262-20114	H-5	09320-09016	H-11	09407-18402	E-11
	H-11	09160-10066	C-6	09169-06025	H-4	09262-25051	D-3	09320-09021	E-5		H-3
09139-05032	H-11	09160-10094	E-9	09169-06051	F-5	09262-25073	H-5	09320-09034	E-8	09407-22404	C-7
09139-05033	H-8	09160-12020	D-5	09169-06060	H-4	09262-25105	D-4	09320-10038	F-5	09407-25401	E-11
	H-10	09160-15015	D-2	09169-28001	D-3	09263-10013	D-2	09320-12031	F-7		G-8
09139-06026	E-11	09160-18022	D-6	09180-06002	H-2	09263-15003	D-2	09320-12038	C-6	09408-00002	E-11
09139-06027	E-11		F-3	09180-06044	E-10	09263-15012	D-2	09320-14017	F-5	09409-07305	E-11
	F-3	09160-25056	D-2	09180-06072	F-5	09263-20040	D-4	09321-06023	E-10	09440-04003	D-5
	H-11	09160-25067	D-2	09180-06073	C-5	09263-20069	D-3	09329-05005	E-5	09440-04010	D-6
09139-06028	H-11	09160-06006	F-7	09180-06143	B-14	09263-20071	H-2	09352-50823-00A	F-5	09440-09027	B-8
09139-06030	G-6	09161-05010	H-8		F-8		H-3	09352-50823-300	B-3	09440-13047	F-6
	H-11		H-10	09180-06146	E-6	09263-25024	H-2	09352-50823-600	F-5	09440-14019	B-12
09139-06039	H-11	09161-05017	H-11	09180-06152	E-5	09263-35017	D-2	09352-70103-300	F-6	09440-20020	D-2
09139-06056	F-7	09161-06021	G-6		H-11	09263-43001	D-5	09360-08009	B-2	09443-06012	E-11
09139-06075	F-7		H-11	09180-08124	C-7	09265-25008	G-4	09360-10017	G-11	09443-09033	D-5
09139-08007	G-6	09161-09003	C-5	09180-08130	G-5	09265-30009	G-4		H-7	09443-13018	F-3
09139-08009	H-7	09161-10009	G-2	09180-08149	F-4	09269-08003	G-5	09360-16002	C-7	09443-14058	F-3
09140-06011	D-6		G-11	09180-08157	C-6	09280-04004	B-5	09380-25003	D-3	09443-19011	F-3
09140-24012	D-2		H-7	09180-20103	G-7	09280-12008	C-7	09380-25013	D-3	09444-26017	D-5
09141-20004	H-5	09161-11008	B-2	09180-25096	D-4	09280-14011	B-4	09381-10004	B-3	09448-19020	F-4
09148-04024	F-8	09164-08015	F-3	09200-06011	G-8	09280-15007	B-4	09381-18003	B-10	09462-00093	F-2
09148-04032	H-11	09164-10005	F-2	09200-06037	H-7	09280-17002	B-5	09384-12001	D-5	09471-12045	E-9
09148-05019	F-9	09164-10010	F-4	09200-08035	F-4	09280-17003	B-7	09390-62006	D-3	09471-12060	E-8
09148-05023	H-8	09164-24006	D-2	09200-08057	F-4	09280-18009	B-8		D-4	09471-12081	E-8
	H-10	09167-25007	D-2	09206-08001	B-3		B-9	09400-16302	H-7	09471-12083	E-10
09148-05038	F-9	09167-25012	D-3	09206-11005	B-5	09280-21008	B-5	09401-10201	F-6	09471-12103	E-7
09159-06017	B-5	09167-28001	D-3		B-7	09280-22016	B-9	09401-10402	F-6	09471-12108	E-7
09159-06024	G-8		D-4	09206-11014	B-11	09280-24003	E-2	09401-13406	C-5	09481-10101	E-11
09159-10020	B-6	09167-28002	D-3	09206-13004	B-5	09280-36001	D-6	09401-14401	C-5	09481-20101	E-11
09159-10027	F-2	09168-06023	B-14	09206-13006	B-4	09280-42003	B-3	09401-16402	C-5	09482-00410	B-3
09159-10058	B-6	09168-06024	B-7	09209-05011	D-6	09283-34005	D-4	09402-56208	B-3	09482-00411	B-3

M - 6

PART NO.	ADDRESS NO.	PART NO.	ADDRESS NO.	PART NO.	ADDRESS NO.
09482-00462	B-3				
09482-00463	R-3				
09491-23017	C-2				
09492-00001	C-2				
09492-35010	C-2				
09493-00001	C-3				
09493-14002	B-5				
09493-24007	C-3				
09493-24010	B-5				
09493-80008	B-5				
09494-00675	C-2				
09800-20036	H-4				